



Chipsmall Limited consists of a professional team with an average of over 10 year of expertise in the distribution of electronic components. Based in Hongkong, we have already established firm and mutual-benefit business relationships with customers from,Europe,America and south Asia,supplying obsolete and hard-to-find components to meet their specific needs.

With the principle of “Quality Parts,Customers Priority,Honest Operation,and Considerate Service”,our business mainly focus on the distribution of electronic components. Line cards we deal with include Microchip,ALPS,ROHM,Xilinx,Pulse,ON,Everlight and Freescale. Main products comprise IC,Modules,Potentiometer,IC Socket,Relay,Connector.Our parts cover such applications as commercial,industrial, and automotives areas.

We are looking forward to setting up business relationship with you and hope to provide you with the best service and solution. Let us make a better world for our industry!



Contact us

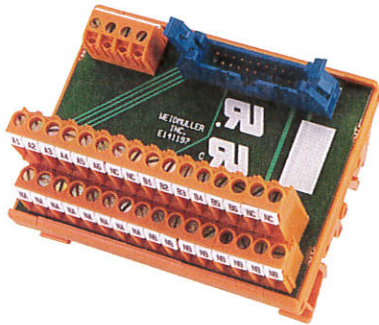
Tel: +86-755-8981 8866 Fax: +86-755-8427 6832

Email & Skype: info@chipsmall.com Web: www.chipsmall.com

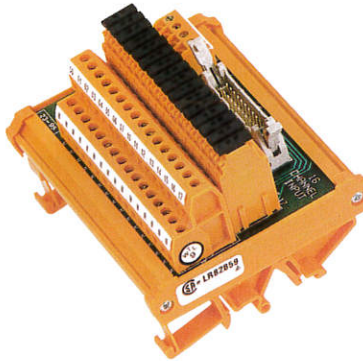
Address: A1208, Overseas Decoration Building, #122 Zhenhua RD., Futian, Shenzhen, China



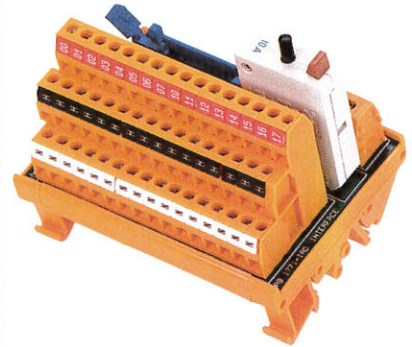
**Passive - 2 wire
12 Channel
Output
GE Fanuc**



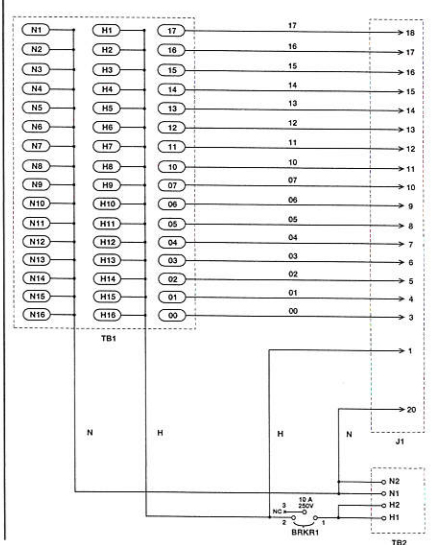
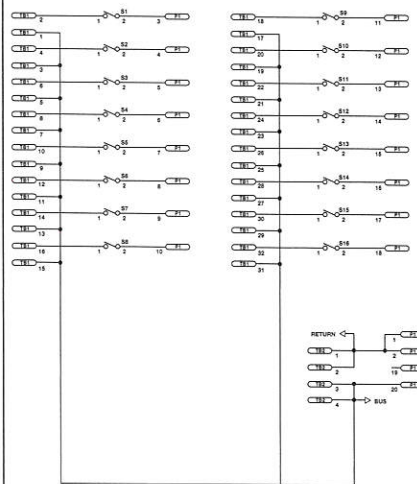
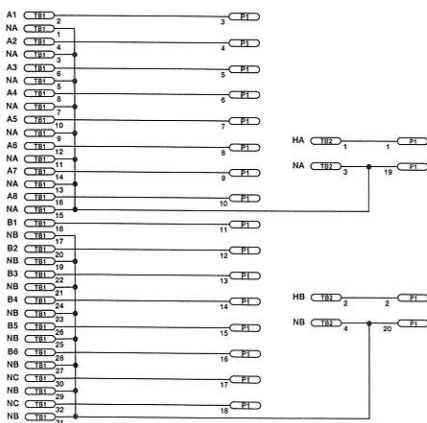
**Passive - 2 wire
16 Channel
Input Disconnect
Allen-Bradley, GE Fanuc**



**Passive - 3 wire
16 Channel
Input w/Circuit Breaker
Allen-Bradley, GE Fanuc**



RS PLC GE9030 MDL310		RS RI 16 DIS		RS RI IAD 16 BKR	
998055	IC693MDL310	919722	120 VAC, 24 VDC AB 1771-IBD, IAD	915290	AB 1771-IAD
		919778	120 VAC, 24 VDC AB 1746-IA16, IB16	919775	AB 1746-IA16
		919776	24 VDC Source AB 1746-IV16	919765	GEF IC693MDL240, 241
		919767	120 VAC, 24 VDC GEF IC693MDL240, 241		
		919766	24 VDC Neg. GEF IC693MDL241		
120 VAC		See Above		120 VAC	
3.0 A per channel / 3.0 A per group / 3.0 A per common		3.0 A per channel / 6.0 A per module		2.5 A per channel / 3.0 A per group of 16 / 10 A circuit breaker	
(1) 1 x 20 pin IDC		(1) 1 x 20 pin IDC		(1) 1 x 20 pin IDC	
No		No		No	
0°C...+50°C		0°C...+50°C		0°C...+50°C	
-20°C...+60°C		-20°C...+60°C		-20°C...+60°C	
90 x 70 x 56		105 x 87 x 75		96 x 70 x 89	
#26...14 AWG		#26...14 AWG		#26...14 AWG	
Screw Clamp		Screw Clamp		Screw Clamp	



Note: Markings vary based on I/O used.