



Chipsmall Limited consists of a professional team with an average of over 10 year of expertise in the distribution of electronic components. Based in Hongkong, we have already established firm and mutual-benefit business relationships with customers from,Europe,America and south Asia,supplying obsolete and hard-to-find components to meet their specific needs.

With the principle of “Quality Parts,Customers Priority,Honest Operation,and Considerate Service”,our business mainly focus on the distribution of electronic components. Line cards we deal with include Microchip,ALPS,ROHM,Xilinx,Pulse,ON,Everlight and Freescale. Main products comprise IC,Modules,Potentiometer,IC Socket,Relay,Connector.Our parts cover such applications as commercial,industrial, and automotives areas.

We are looking forward to setting up business relationship with you and hope to provide you with the best service and solution. Let us make a better world for our industry!



Contact us

Tel: +86-755-8981 8866 Fax: +86-755-8427 6832

Email & Skype: info@chipsmall.com Web: www.chipsmall.com

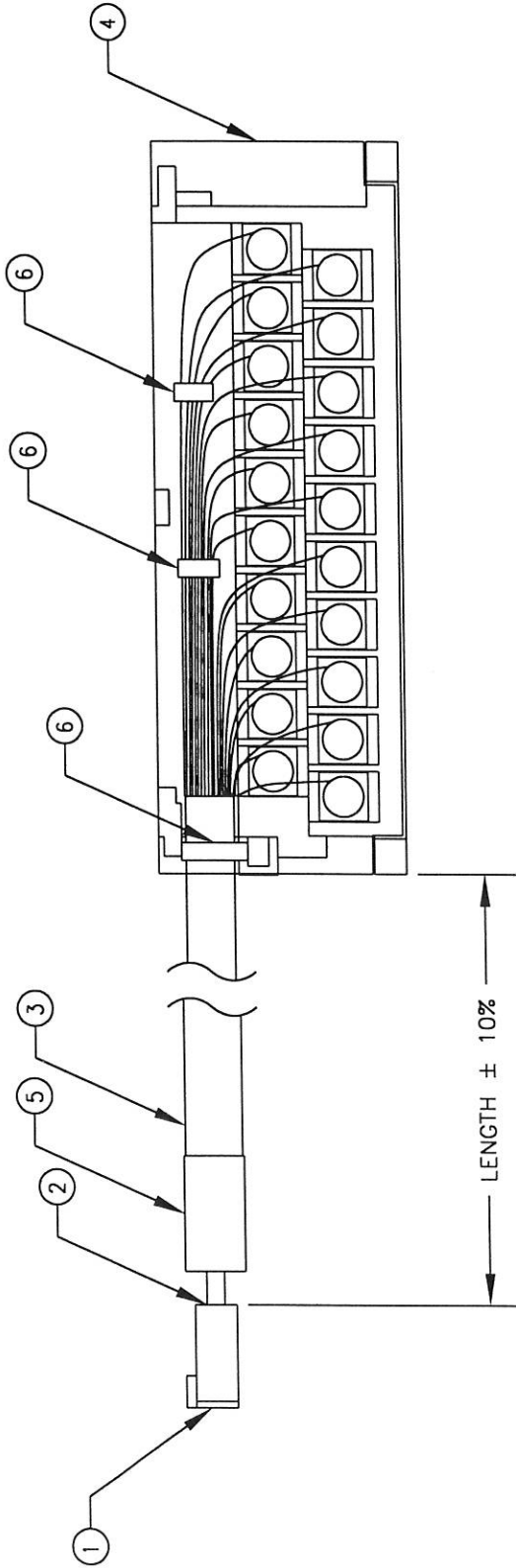
Address: A1208, Overseas Decoration Building, #122 Zhenhua RD., Futian, Shenzhen, China



Note: FIM 998055 PLC 693MDL310

REVISIONS

REV.	DESCRIPTION	DATE	CMPLT. BY	APPRV.



NOTES:

1. CUT AND STRIP CABLE AS REQUIRED TO ACHIEVE LENGTH SPECIFIED IN TABLE.
2. CUT UNUSED WIRE ENDS BACK TO JACKET BEFORE HEATING SHRINK TUBING.

CATALOG NO.	LENGTH (m)
998056	0.5
998057	1.0
998058	1.5
998059	2.0

PARTS LIST

BUB. #	DESCRIPTION	QTY.
1	CONNECTOR 20-PIN FEMALE	1
2	CRIMP AND POKE TERMINAL	20
3	CABLE 20-COND 22AWG	A/R
4	TERMINAL BLOCK GE 90-30	1
5	SHRINK TUBING 1/2"OD	100mm
6	TIE WRAP 4" NYLON	3

Weidmüller
 WEIDMULLER INC.
 821 SOUTHLAKE BLVD.
 RICHMOND, VIRGINIA 23236

CAT. NO. VARIOUS
 DRAWN BY D. COLLINS
 APPROVED *DM*

REL. DATE *9/26/77*

TITLE
 FPA/C GE 693MDL310

TOLERANCE ON :
 .x = +/- 0.508 mm
 .xx = +/- 0.254 mm
 .xxx = +/- 0.127 mm
 .4 = +/- .30
 UNLESS OTHERWISE SPECIFIED ALL DIMENSIONS ARE IN MILLIMETERS
 () INDICATES REFERENCE DIMENSIONS

PROPRIETARY RIGHTS :
 THIS DOCUMENT INCLUDES DESIGN AND ENGINEERING CONCEPTS WHICH INFORMATION IS THE PROPERTY OF WEIDMULLER INC. AND THIS DOCUMENT OR ITS CONTENTS MAY NOT BE DISCLOSED TO OTHERS, REPRODUCED, COPIED, OR USED WITHOUT WRITTEN AUTHORIZATION FROM WEIDMULLER INC. IN RICHMOND, VIRGINIA.

DISTRIBUTION: P/N DWG. PROD. INSP. OTHER

PRODUCTION RELEASE PAGE 1 SCALE: DO NOT SCALE SHEET 1 OF 2

DRAWING NUMBER 1100313 REV. 0