



Chipsmall Limited consists of a professional team with an average of over 10 year of expertise in the distribution of electronic components. Based in Hongkong, we have already established firm and mutual-benefit business relationships with customers from,Europe,America and south Asia,supplying obsolete and hard-to-find components to meet their specific needs.

With the principle of “Quality Parts,Customers Priority,Honest Operation,and Considerate Service”,our business mainly focus on the distribution of electronic components. Line cards we deal with include Microchip,ALPS,ROHM,Xilinx,Pulse,ON,Everlight and Freescale. Main products comprise IC,Modules,Potentiometer,IC Socket,Relay,Connector.Our parts cover such applications as commercial,industrial, and automotives areas.

We are looking forward to setting up business relationship with you and hope to provide you with the best service and solution. Let us make a better world for our industry!



Contact us

Tel: +86-755-8981 8866 Fax: +86-755-8427 6832

Email & Skype: info@chipsmall.com Web: www.chipsmall.com

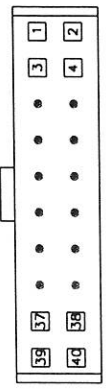
Address: A1208, Overseas Decoration Building, #122 Zhenhua RD., Futian, Shenzhen, China



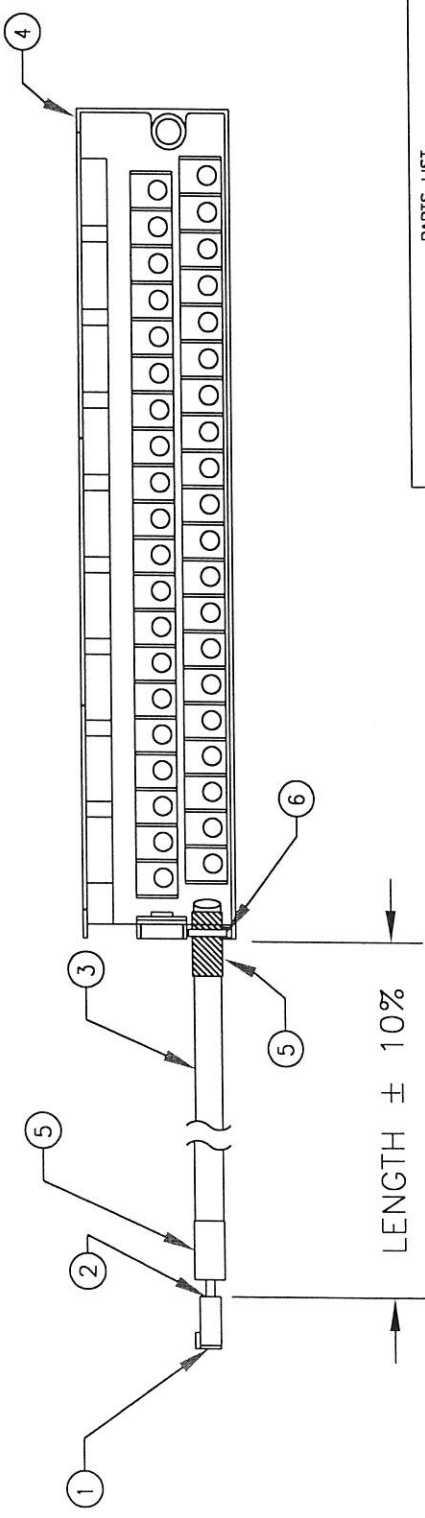
REVISIONS		CMPLT. BY	APPRV.
REV.	DESCRIPTION	DATE	

GE TERMINAL BLOCK
PIN NUMBERS

2	1
4	3
6	5
8	7
10	9
12	11
14	13
16	15
18	17
20	19
22	21
24	23
26	25
28	27
30	29
32	31
34	33
36	35
38	37
40	39



CRIMP AND POKE CONNECTOR
PIN NUMBERS
(WIRE INSERTION SIDE)



- NOTES:
- CUT CABLE AND STRIP CONDUCTORS AS REQUIRED TO ACHIEVE LENGTH SPECIFIED IN TABLE.
 - CUT UNUSED WIRE ENDS BACK TO THE JACKET BEFORE HEATING SHRINK TUBING.

BUB. #	DESCRIPTION	QTY.
1	CONNECTOR, 40-PIN, FEMALE	1
2	CRIMP AND POKE TERMINAL	40
3	CABLE, 40-COND, 22AWG	A/R
4	TERMINAL BLOCK, IC697ACC700	1
5	SHRINK TUBING	100mm
6	TIE WRAP, NYLON, 4"	6

CATALOG NO.	LENGTH (m)
998116	0.5
998117	1.0
998118	1.5
998119	2.0

Weidmüller
WEIDMULLER INC.
821 SOUTHLAKE BLVD.
RICHMOND, VIRGINIA 23236

CAT. NO. VARIOUS
DRWN BY PSH
APPROVED *[Signature]*
REL. DATE 10/15/97

P/N DWG. PROD. INSP. OTHER

TOLERANCE ON :
.X = +/- 0.508 mm
.XX = +/- 0.254 mm
.XXX = +/- 0.127 mm
X+ = +/- .30"
UNLESS OTHERWISE SPECIFIED ALL DIMENSIONS ARE IN MILLIMETERS
() INDICATES REFERENCE DIMENSIONS

CABLE ASSEMBLY
GE FPA/C 9070-350

PRODUCTION RELEASE PAGE 1 SCALE: DO NOT SCALE

PROPRIETARY RIGHTS :
THIS DOCUMENT INCLUDES DESIGN AND INFORMATION THAT IS UNLAWFULLY REPRODUCED OR DISCLOSED TO OTHERS WITHOUT THE WRITTEN PERMISSION OF WEIDMULLER INC. IN RICHMOND, VIRGINIA.

DRAWING NUMBER 1100356
REV. 0

SIZE: A SHEET 1 OF 2