



Chipsmall Limited consists of a professional team with an average of over 10 year of expertise in the distribution of electronic components. Based in Hongkong, we have already established firm and mutual-benefit business relationships with customers from,Europe,America and south Asia,supplying obsolete and hard-to-find components to meet their specific needs.

With the principle of “Quality Parts,Customers Priority,Honest Operation,and Considerate Service”,our business mainly focus on the distribution of electronic components. Line cards we deal with include Microchip,ALPS,ROHM,Xilinx,Pulse,ON,Everlight and Freescale. Main products comprise IC,Modules,Potentiometer,IC Socket,Relay,Connector.Our parts cover such applications as commercial,industrial, and automotives areas.

We are looking forward to setting up business relationship with you and hope to provide you with the best service and solution. Let us make a better world for our industry!



## Contact us

Tel: +86-755-8981 8866 Fax: +86-755-8427 6832

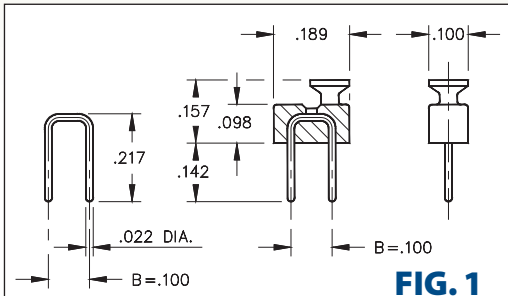
Email & Skype: info@chipsmall.com Web: www.chipsmall.com

Address: A1208, Overseas Decoration Building, #122 Zhenhua RD., Futian, Shenzhen, China

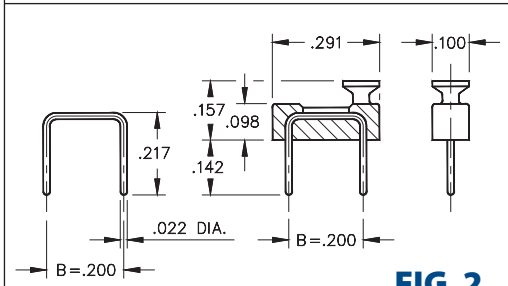


# IO SOCKETS

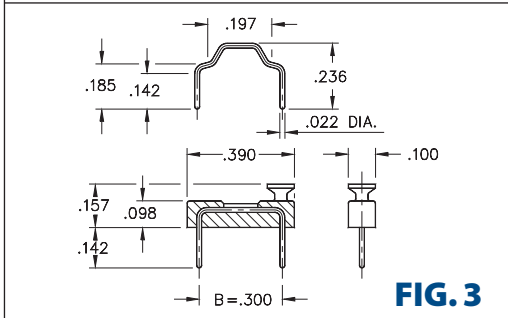
## SERIES 388, 999 • MALE SHORTING JUMPERS & MICROPHONE SOCKETS



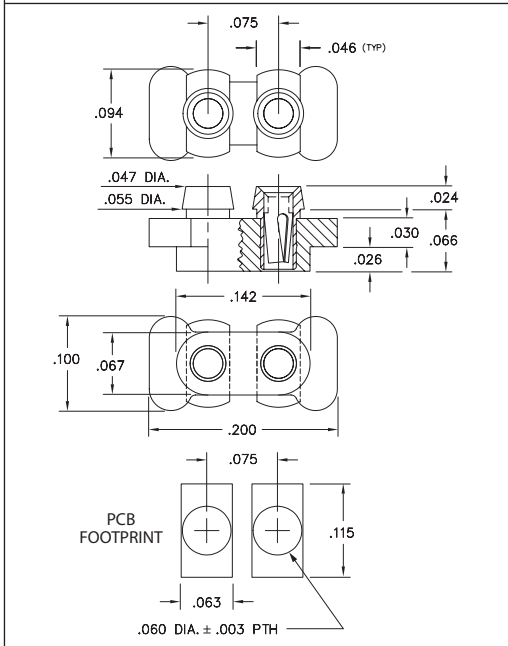
**FIG. 1**



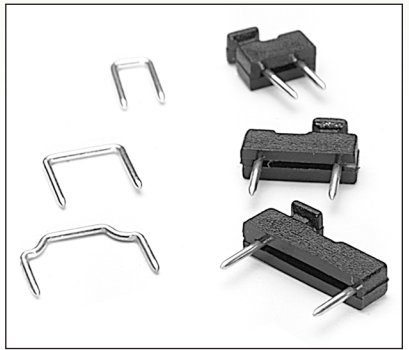
**FIG. 2**



**FIG. 3**



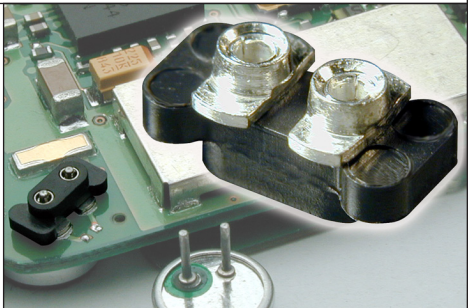
- Male shorting jumpers are available with or without insulator and have .022" diameter pins with .100", .200" or .300" center spacing
- Insulator materials are not high temperature
- For Electrical, Mechanical & Environmental Data, see page 264 for details



### ORDERING INFORMATION

FIG. 1	Male Shorting Jumper .100" Spacing	
	Color / Style	Plating 10 μ" Au
	Black	999-11-210-10-000000
	Not Insulated	999-11-110-10-000000
FIG. 2	Male Shorting Jumper .200" Spacing	
	Color / Style	Plating 10 μ" Au
	Black	999-11-220-10-000000
	Not Insulated	999-11-112-10-000000
FIG. 3	Male Shorting Jumper .300" Spacing	
	Color / Style	Plating 10 μ" Au
	Black	999-11-230-10-000000
	Not Insulated	999-11-113-10-000000

- Series 388 microphone socket is a bottom entry socket for microphones having Ø.018" pins on .075" centers
- Designed to be surface mount and intrusive reflow soldered
- Series 388 uses MM #8874 pins. See page 159 for details
- Hi-Rel, 3-finger BeCu #11 contact is rated at 3 amps. See page 251 for details
- Insulator is high temperature Nylon 46, rated UL 94 V-0



### Ordering Information Microphone Socket

	388-XX-102-11-740800 (Discrete socket)				
	Plating Code 388-XX-102-11-740799 (Tape and Reel) (Supplied on 12mm wide carrier tape per EIA-481: 6,500 per 13" reel)				
<b>SPECIFY PLATING CODE XX=</b>			99		44
Sleeve (Pin)			200 μ" Sn/Pb		200 μ" Sn
Contact (Clip)			200 μ" Sn/Pb		200 μ" Sn