



Chipsmall Limited consists of a professional team with an average of over 10 year of expertise in the distribution of electronic components. Based in Hongkong, we have already established firm and mutual-benefit business relationships with customers from,Europe,America and south Asia,supplying obsolete and hard-to-find components to meet their specific needs.

With the principle of “Quality Parts,Customers Priority,Honest Operation,and Considerate Service”,our business mainly focus on the distribution of electronic components. Line cards we deal with include Microchip,ALPS,ROHM,Xilinx,Pulse,ON,Everlight and Freescale. Main products comprise IC,Modules,Potentiometer,IC Socket,Relay,Connector.Our parts cover such applications as commercial,industrial, and automotives areas.

We are looking forward to setting up business relationship with you and hope to provide you with the best service and solution. Let us make a better world for our industry!



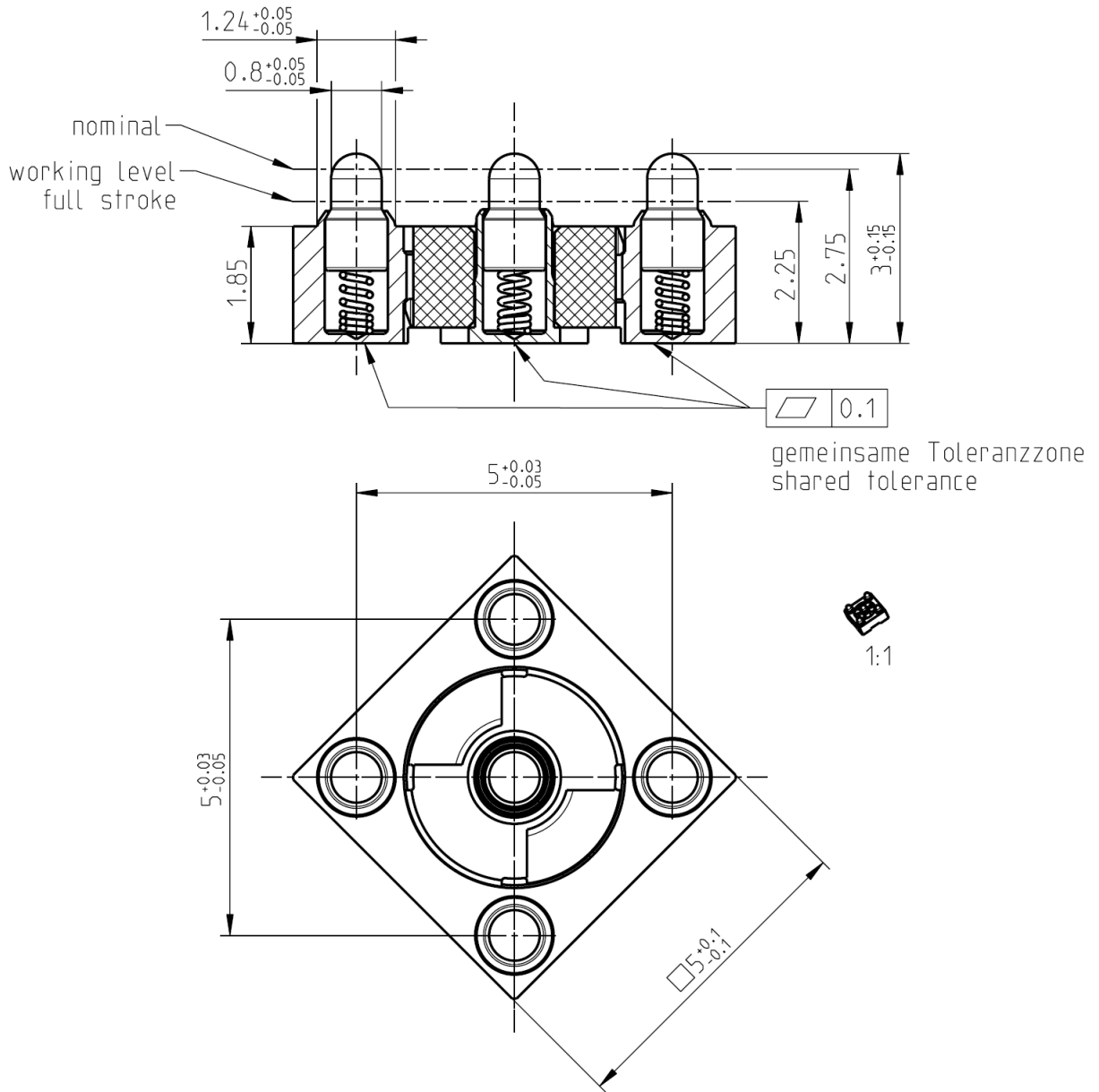
Contact us

Tel: +86-755-8981 8866 Fax: +86-755-8427 6832

Email & Skype: info@chipsmall.com Web: www.chipsmall.com

Address: A1208, Overseas Decoration Building, #122 Zhenhua RD., Futian, Shenzhen, China





All dimensions are in mm; tolerances according to ISO 2768 m-H

Documents

Tape & reel packaging VG125.20000

Material and plating

Connector parts

	Material	Plating
Ferrule	Brass	AuroDur®, gold plated
Pistons	Brass	AuroDur®, gold plated
Spring	Stainless steel	N/A
Dielectric	ULTEM 1000	

Electrical data

Impedance	50 Ω
Frequency	DC to 6 GHz
Return loss	≥ -35 dB, DC to 2 GHz ≥ -27 dB, 2 to 4 GHz ≥ -20 dB, 4 to 6 GHz
Insertion loss	≤ 0.04 x √f(GHz) dB
Insulation resistance	≥ 5 x10 ³ MΩ
Contact resistance	≤ 25 mOhm after 5 cycles with operational stroke
Test voltage	1000 V rms
Working voltage	480 V rms
Power handling (at 20 °C, sea level, VSWR 1.0)	≤ 100 W @ 2 GHz
RF-leakage	≥ 40 dB up to 6 GHz
<i>- VSWR in application depends decisive on PCB layout -</i>	

Mechanical data

Mating cycles	min. 1000
Contacts	4 ground, 1 signal
Working range	2.5mm ±0.25mm
Forces	at 3.0 mm 0.25N At 2.5 mm 0.95N
Minimal height	2.25 mm

Environmental data

Operating temperature	IEC 60068-2-1, Aa -40 °C IEC 60068-2-2, Bb +90 °C
Storage temperature	IEC 60068-2-1, Aa -55 °C IEC 60068-2-2, Bb +100 °C
2002/95/EC (RoHS)	compliant

Dieses Dokument ist urheberrechtlich geschützt • This document is protected by copyright • Rosenberger Hochfrequenztechnik GmbH & Co. KG

RF_35/09.14/6.2

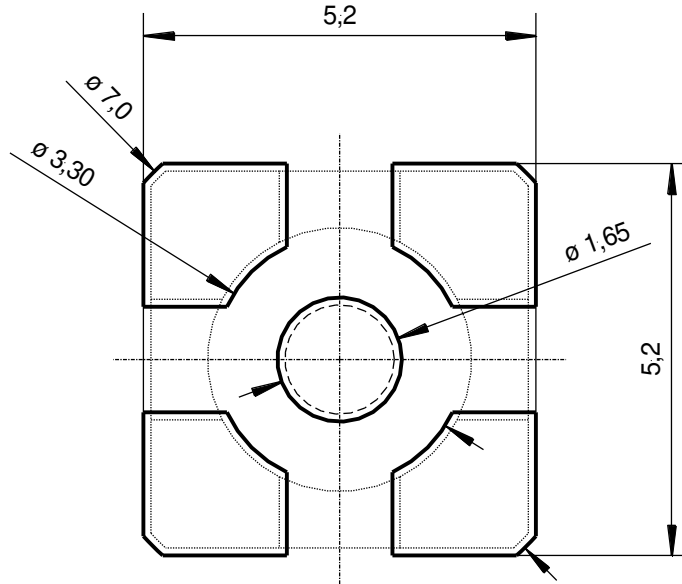
99CI

SPRING LOADED PIN
CONTROLLED IMPEDANCE

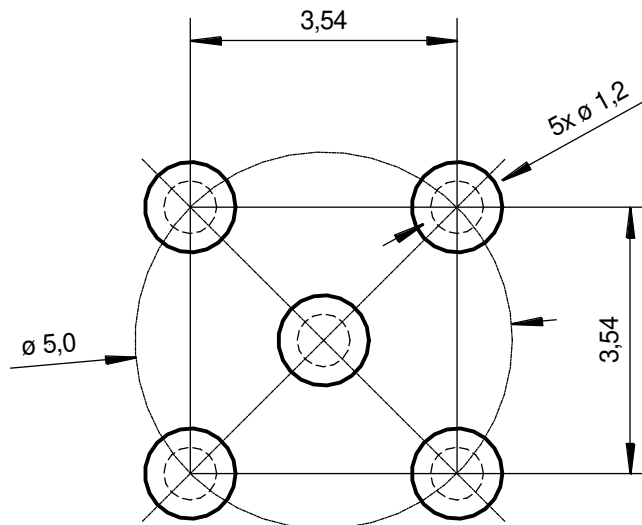
99CI106-030L5

PCB Layout

Solder side



Contact side



Packing

Standard
Optional

2,000 pcs. in T&R
50 pcs. in blister

Weight

0.26 g/pce.

While the information has been carefully compiled to the best of our knowledge, nothing is intended as representation or warranty on our part and no statement herein shall be construed as recommendation to infringe existing patents. In the effort to improve our products, we reserve the right to make changes judged to be necessary.

Draft	Date	Approved	Date	Rev.	Engineering change number	Name	Date
C. Kainzmaier	06.03.17	C. Kainzmaier	08.06.18	E00	18-0940	M. Margardt	08.06.18

Rosenberger Hochfrequenztechnik GmbH & Co. KG
P.O.Box 1260 D-84526 Tittmoning Germany
www.rosenberger.de

Tel. : +49 8684 18-0
Email : info@rosenberger.de

Page
3 / 3