



Chipsmall Limited consists of a professional team with an average of over 10 year of expertise in the distribution of electronic components. Based in Hongkong, we have already established firm and mutual-benefit business relationships with customers from,Europe,America and south Asia,supplying obsolete and hard-to-find components to meet their specific needs.

With the principle of “Quality Parts,Customers Priority,Honest Operation,and Considerate Service”,our business mainly focus on the distribution of electronic components. Line cards we deal with include Microchip,ALPS,ROHM,Xilinx,Pulse,ON,Everlight and Freescale. Main products comprise IC,Modules,Potentiometer,IC Socket,Relay,Connector.Our parts cover such applications as commercial,industrial, and automotives areas.

We are looking forward to setting up business relationship with you and hope to provide you with the best service and solution. Let us make a better world for our industry!



## Contact us

Tel: +86-755-8981 8866 Fax: +86-755-8427 6832

Email & Skype: info@chipsmall.com Web: www.chipsmall.com

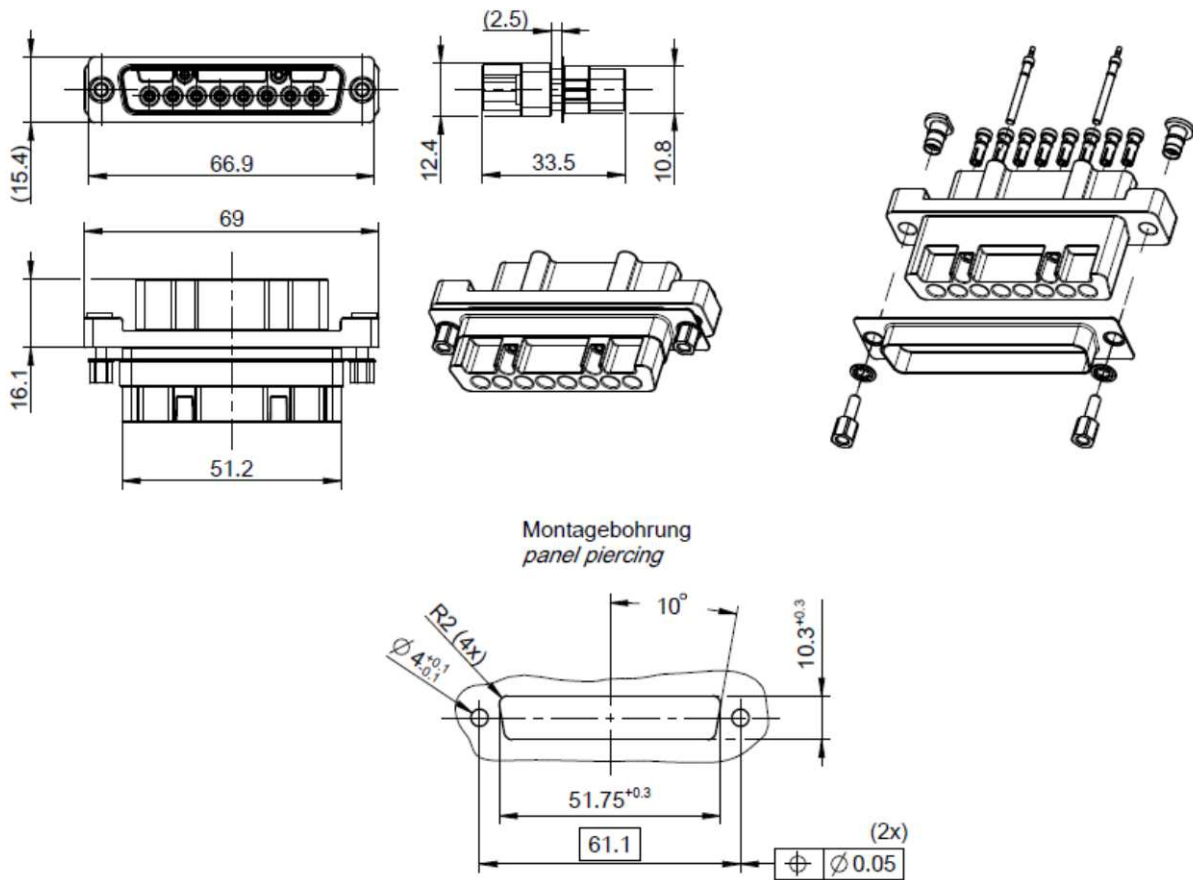
Address: A1208, Overseas Decoration Building, #122 Zhenhua RD., Futian, Shenzhen, China



99

D-SUB High Voltage Connector  
(Panel-Mount Receptacle)

**99K076-299A5**



All dimensions are in mm; tolerances according to ISO 2768 m-H

**General data**

Connector

D-SUB High Voltage Receptacle for panel-mount

8 pins for power transmission; solder type; wires max. AWG 28

2 pins for HVIL (High Voltage Interlock Loop);  
solder/crimp type; wires max. AWG 26

Pluggable with D-SUB High Voltage receptacle 99S114-299A5

**Documents**

Rosenberger:

Applicable document	Designation
99K076-299	Production drawing
MA_99K076-299	Assembly instruction

Dieses Dokument ist urheberrechtlich geschützt • This document is protected by copyright • Rosenberger Hochfrequenztechnik GmbH & Co. KG

RF\_35/05.10/6.0

99

D-SUB High Voltage Connector  
(Panel-Mount Receptacle)

**99K076-299A5**

**Material data**

**Connector parts**

Contact pin  
Signal pin  
Insulator  
Screw socket  
D-Sub front  
Screw

**Material**

Brass  
Brass  
Grivory XE4063  
Brass  
Steel  
Steel

**Plating**

AuroDur®, gold plated  
AuroDur®, gold plated  
Gold over Nickel

RoHS

Compliant

**Electrical data**

High voltage pin:

Operating voltage 5,000 V rms  
Peak voltage 7,000 V rms  
Operating current 1.5 A  
Peak current 2.0 A

HVIL pin:

Max. voltage 48 V rms  
Max. current 1.5 A

Insulation resistance

≥ 5 x10<sup>3</sup> MΩ

**Mechanical data**

Mating cycles

> 500

**Environmental data**

Temperature range

-25°C to + 75°C

**Suitable cables**

L45571-K12-G10

Rosenberger High voltage wire

**Packing**

Standard

1 pce in plastic bag  
20 bags in box

Weight

33.8 g/pce

While the information has been carefully compiled to the best of our knowledge, nothing is intended as representation or warranty on our part and no statement herein shall be construed as recommendation to infringe existing patents. In the effort to improve our products, we reserve the right to make changes judged to be necessary.

Draft	Date	Approved	Date	Rev.	Engineering change number	Name	Date
H. Wurm	25.10.12	H. Wurm	24.10.17	a01	17-0004	H. Wurm	24.10.17

Rosenberger Hochfrequenztechnik GmbH & Co. KG  
P.O.Box 1260 D-84526 Tittmoning Germany  
[www.rosenberger.de](http://www.rosenberger.de)

Tel. : +49 8684 18-0  
Fax : +49 8684 18-499  
Email : [info@rosenberger.de](mailto:info@rosenberger.de)

Page  
2 / 2