



Chipsmall Limited consists of a professional team with an average of over 10 year of expertise in the distribution of electronic components. Based in Hongkong, we have already established firm and mutual-benefit business relationships with customers from,Europe,America and south Asia,supplying obsolete and hard-to-find components to meet their specific needs.

With the principle of “Quality Parts,Customers Priority,Honest Operation,and Considerate Service”,our business mainly focus on the distribution of electronic components. Line cards we deal with include Microchip,ALPS,ROHM,Xilinx,Pulse,ON,Everlight and Freescale. Main products comprise IC,Modules,Potentiometer,IC Socket,Relay,Connector.Our parts cover such applications as commercial,industrial, and automotives areas.

We are looking forward to setting up business relationship with you and hope to provide you with the best service and solution. Let us make a better world for our industry!



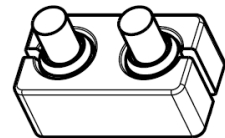
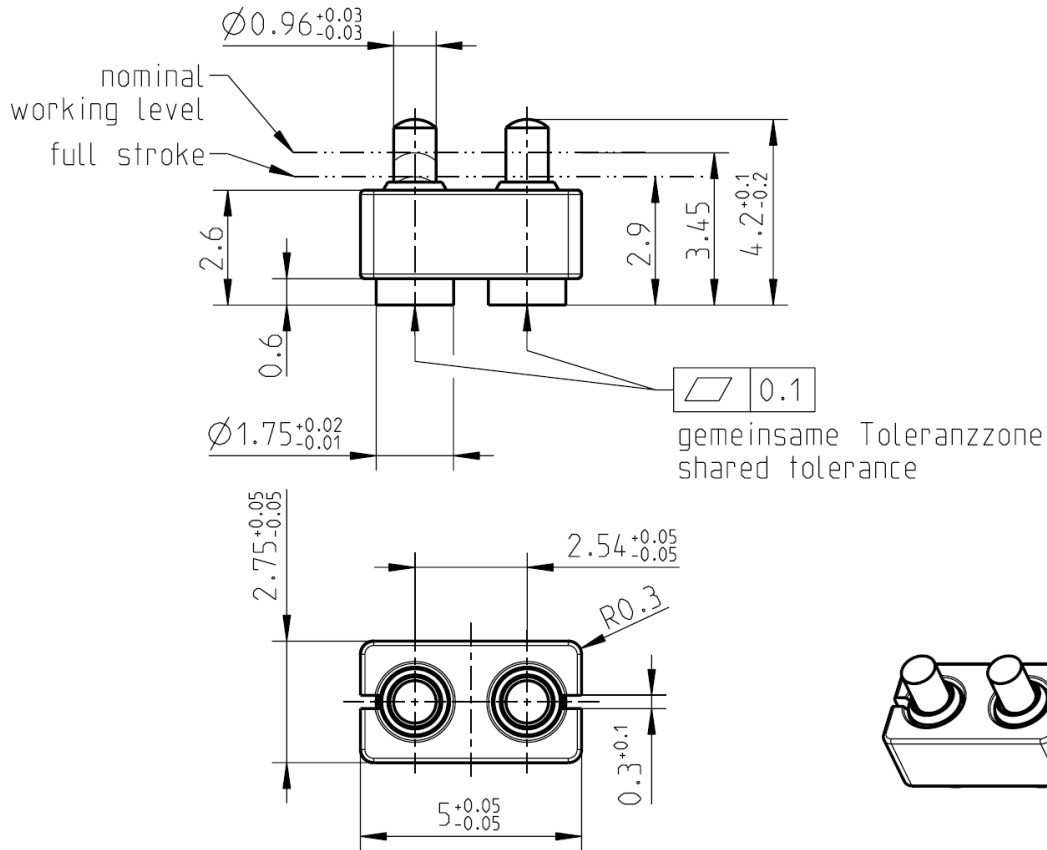
Contact us

Tel: +86-755-8981 8866 Fax: +86-755-8427 6832

Email & Skype: info@chipsmall.com Web: www.chipsmall.com

Address: A1208, Overseas Decoration Building, #122 Zhenhua RD., Futian, Shenzhen, China





All dimensions are in mm; tolerances according to ISO 2768 m-H

Documents

Packing instruction VG77.19000

Material and plating

Connector parts

- Piston
- Ferrule
- Spring
- Isolator

Material

- Brass
- Brass
- Stainless steel
- PPS

Plating

- Gold, 0.5 μm over chemical Nickel
- Gold, min. 0.15 μm , over chemical nickel
- N/A

Electrical data

- Insulation resistance $\geq 5 \times 10^3 \text{ M}\Omega$
- Contact resistance $\leq 25 \text{ m}\Omega$ initial
- After 5 cycles operational stroke
- Working voltage 4 V
- Max. Current 1.5 A per pin

Mechanical data

- Durability > 5,000
- Max. pin travel 1.6 mm
- Nominal height 4.15 mm
- Travel vs Force
 - Initial $F_0 = 0.2 \text{ N} \pm 0.1 \text{ N}$
 - At 3.45 mm $F_1 = 0.7 \text{ N} \pm 0.15 \text{ N}$

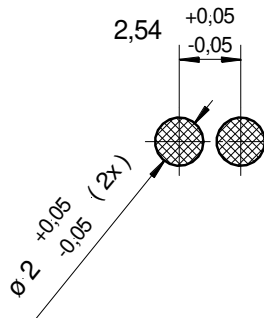
Dieses Dokument ist urheberrechtlich geschützt • This document is protected by copyright • Rosenberger Hochfrequenztechnik GmbH & Co. KG

RF_35/09.14/6.2

Environmental data

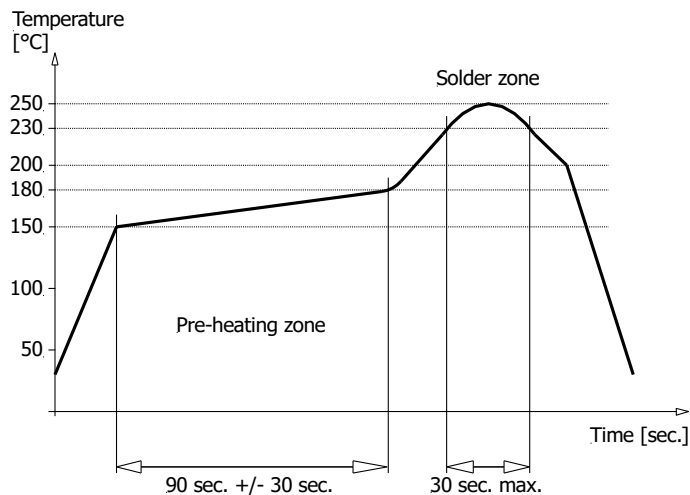
Operating temperature IEC 60068-2-1, Aa -40 °C
 IEC 60068-2-2, Bb +90 °C
 Storage temperature IEC 60068-2-1, Aa -55 °C
 IEC 60068-2-2, Bb +100 °C
 2002/95/EC (RoHS) compliant

PCB Layout



Soldering process

1. Lead free solder process



Packing

Standard 1,900 pcs. in tape&reel
 Weight 0.23 g/pce.

While the information has been carefully compiled to the best of our knowledge, nothing is intended as representation or warranty on our part and no statement herein shall be construed as recommendation to infringe existing patents. In the effort to improve our products, we reserve the right to make changes judged to be necessary.

Draft	Date	Approved	Date	Rev.	Engineering change number	Name	Date
F. Michelmann	10.10.06	C. Kainzmaier	08.06.18	h00	18-0940	M. Margardt	08.06.18

Rosenberger Hochfrequenztechnik GmbH & Co. KG P.O.Box 1260 D-84526 Tittmoning Germany www.rosenberger.de					Tel. : +49 8684 18-0 Email : info@rosenberger.de		Page 2 / 2
--	--	--	--	--	--	--	---------------