



Chipsmall Limited consists of a professional team with an average of over 10 year of expertise in the distribution of electronic components. Based in Hongkong, we have already established firm and mutual-benefit business relationships with customers from,Europe,America and south Asia,supplying obsolete and hard-to-find components to meet their specific needs.

With the principle of “Quality Parts,Customers Priority,Honest Operation,and Considerate Service”,our business mainly focus on the distribution of electronic components. Line cards we deal with include Microchip,ALPS,ROHM,Xilinx,Pulse,ON,Everlight and Freescale. Main products comprise IC,Modules,Potentiometer,IC Socket,Relay,Connector.Our parts cover such applications as commercial,industrial, and automotives areas.

We are looking forward to setting up business relationship with you and hope to provide you with the best service and solution. Let us make a better world for our industry!



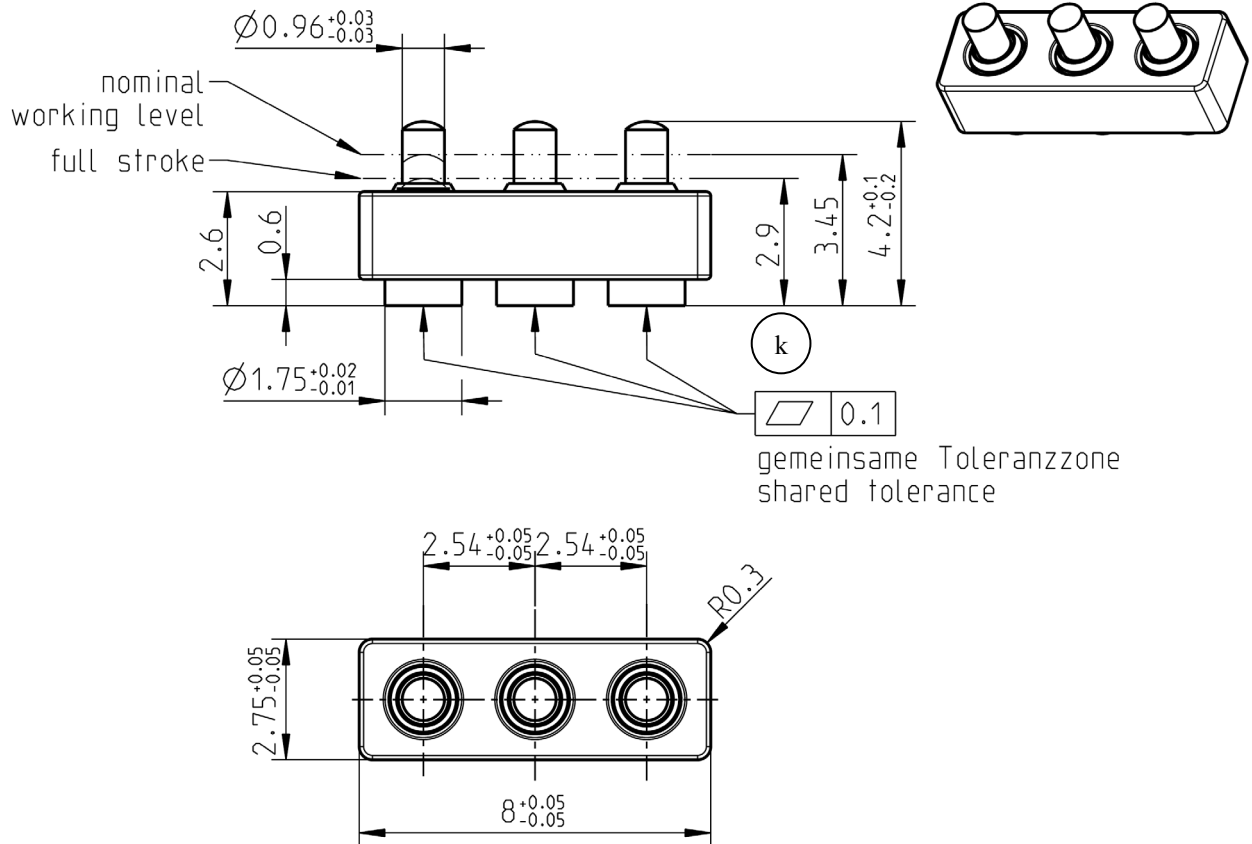
Contact us

Tel: +86-755-8981 8866 Fax: +86-755-8427 6832

Email & Skype: info@chipsmall.com Web: www.chipsmall.com

Address: A1208, Overseas Decoration Building, #122 Zhenhua RD., Futian, Shenzhen, China





All dimensions are in mm; tolerances according to ISO 2768 m-H

Documents

Tape & reel packaging

VG63.19000

Material and plating

Connector parts

- Piston
- Ferrule
- Spring
- Isolator

Material

- Brass
- Brass
- Stainless steel
- PPS

Plating

- Gold, 0.5 μm over chemical Nickel
- Gold, min. 0.15 μm , over chemical nickel
- N/A

Electrical data

- Insulation resistance $\geq 5 \times 10^3 \text{ M}\Omega$
- Contact resistance $\leq 25 \text{ m}\Omega$ initial
- After 5 cycles operational stroke
- Working voltage 4 V
- Max. Current 1.5 A per pin

Dieses Dokument ist urheberrechtlich geschützt • This document is protected by copyright • Rosenberger Hochfrequenztechnik GmbH & Co. KG

RF_35/05_10/6.0

99P

POGO BLOCK

99P307-041Z

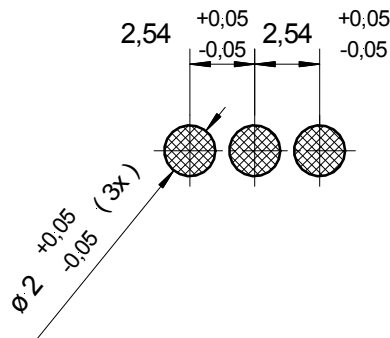
Mechanical data

Durability > 5,000
 Max. pin travel 1.6 mm
 Nominal height 4.15 mm
 Travel vs Force Initial F0 = 0.2 N +/-0.1 N
 At 3.45 mm F1 = 0.7 N +/- 0.15 N

Environmental data

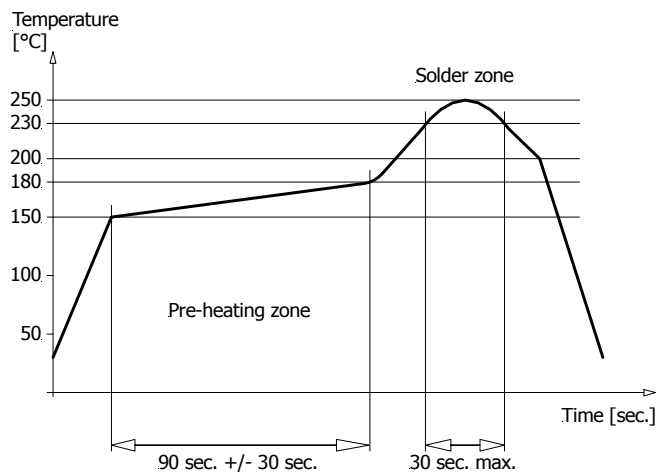
Operating temperature IEC 60068-2-1, Aa -40 °C
 IEC 60068-2-2, Bb +90 °C
 Storage temperature IEC 60068-2-1, Aa -55 °C
 IEC 60068-2-2, Bb +100 °C
 RoHS compliant

PCB_Layout proposal



Soldering process

1. Lead free solder process



Dieses Dokument ist urheberrechtlich geschützt • This document is protected by copyright • Rosenberger Hochfrequenztechnik GmbH & Co. KG

RF_35/05.10/6.0

Technical Data Sheet**Rosenberger**

99P

POGO BLOCK

99P307-041Z**Packing**Standard
Weight1,900 pcs in tape & reel or single packed
0.36 g/pce**Change History**

Rev.	Date	Change
k00	11.12.14	Changed dimension from 2.8 to 2.9

While the information has been carefully compiled to the best of our knowledge, nothing is intended as representation or warranty on our part and no statement herein shall be construed as recommendation to infringe existing patents. In the effort to improve our products, we reserve the right to make changes judged to be necessary.

Draft	Date	Approved	Date	Rev.	Engineering change number	Name	Date
F.Michelmann	10.10.06	S.Hering	17.02.15	k00	14-1843	P.Schroeder	17.02.15
Rosenberger Hochfrequenztechnik GmbH & Co. KG P.O.Box 1260 D-84526 Tittmoning Germany www.rosenberger.de				Tel. : +49 8684 18-0 Fax : +49 8684 18-499 Email : info@rosenberger.de			Page 3 / 3