



Chipsmall Limited consists of a professional team with an average of over 10 year of expertise in the distribution of electronic components. Based in Hongkong, we have already established firm and mutual-benefit business relationships with customers from,Europe,America and south Asia,supplying obsolete and hard-to-find components to meet their specific needs.

With the principle of “Quality Parts,Customers Priority,Honest Operation,and Considerate Service”,our business mainly focus on the distribution of electronic components. Line cards we deal with include Microchip,ALPS,ROHM,Xilinx,Pulse,ON,Everlight and Freescale. Main products comprise IC,Modules,Potentiometer,IC Socket,Relay,Connector.Our parts cover such applications as commercial,industrial, and automotives areas.

We are looking forward to setting up business relationship with you and hope to provide you with the best service and solution. Let us make a better world for our industry!



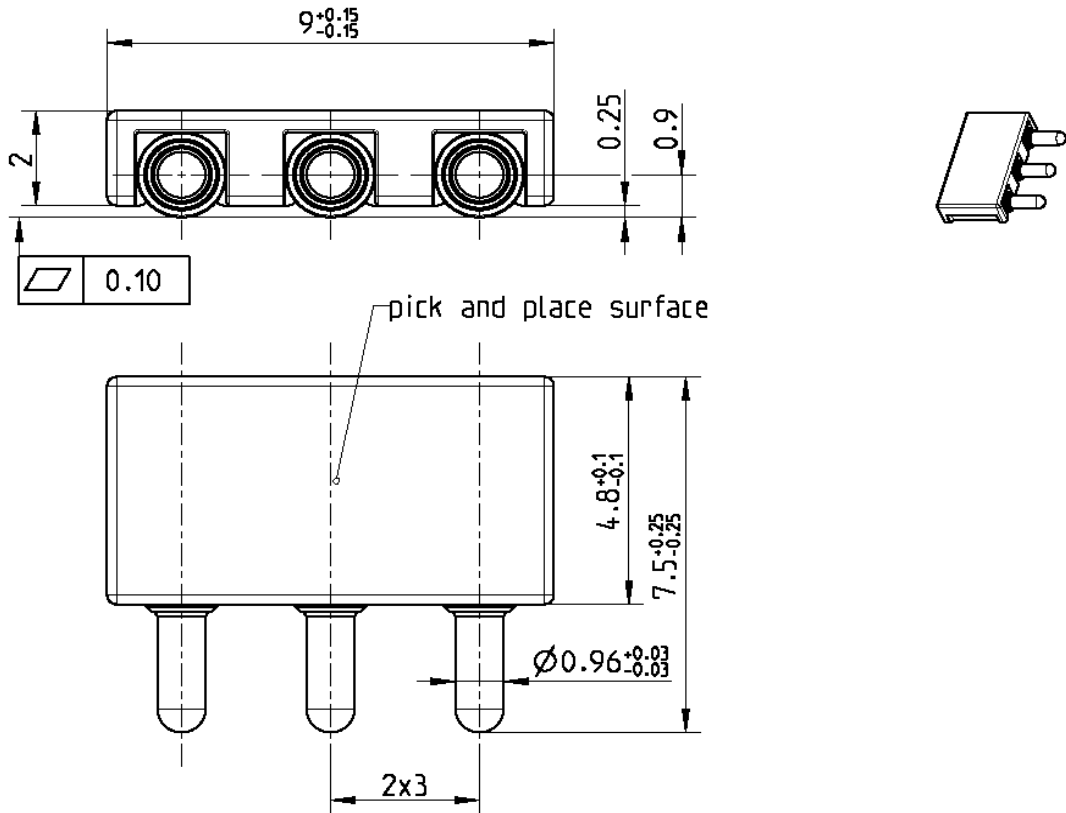
Contact us

Tel: +86-755-8981 8866 Fax: +86-755-8427 6832

Email & Skype: info@chipsmall.com Web: www.chipsmall.com

Address: A1208, Overseas Decoration Building, #122 Zhenhua RD., Futian, Shenzhen, China





All dimensions are in mm; tolerances according to ISO 2768 m-H

Documents

Packing instruction VG83.22000

Electrical data

Contact resistance initial ≤ 35 mOhm
 After full life ≤ 50 mOhm
 At 2 mm deflection, measured antenna – pin – PCB
 Working voltage 4 V
 Current Operating current per pin 1.5 A
 Peak current per pin 2.0 A
 Proof voltage 500 VDC

Dieses Dokument ist urheberrechtlich geschützt • This document is protected by copyright • Rosenberger Hochfrequenztechnik GmbH & Co. KG

RF_35/09.14/6.2

Mechanical data

Mating cycles	> 5,000	
Max. pin travel	2.5 mm	
Nominal height	4.9 mm	
Middle axis	0.9 mm above PCB	
Spring force	0.3 N with	0.15 mm stroke
	0.8 N ± 0.15 N	2.0 mm stroke

Material and plating

Connector parts

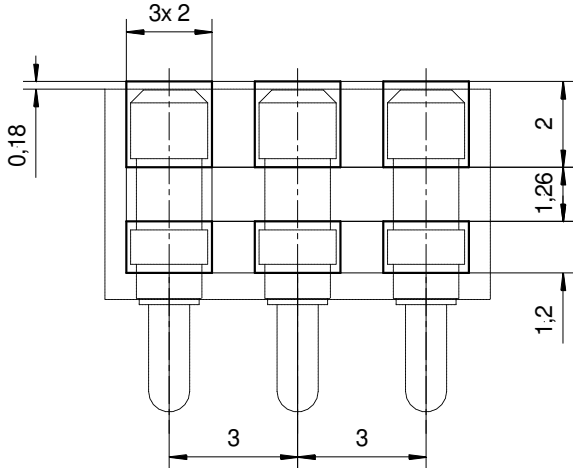
Piston	Brass	Plating	0,5 µm Gold over Ni
Ferrule	Brass		0.15 µm Gold over Ni
Spring	Stainless steel		
Carrier	LCP		black

Environmental data

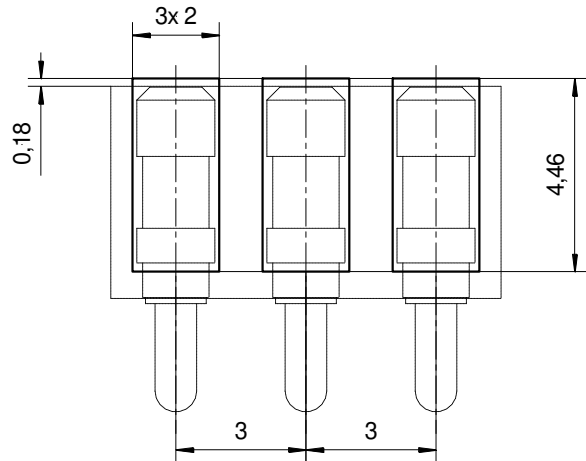
Temperature range	IEC 60068-2-1, Aa	-20 °C
	IEC 60068-2-2, Bb	+80 °C
Storage temperature	IEC 60068-2-1, Aa	-40 °C
	IEC 60068-2-2, Bb	+85 °C
Relative humidity	5x / 95% RH	
2002/95/EC (RoHS)	compliant	

PCB Layout

1. Suggestion

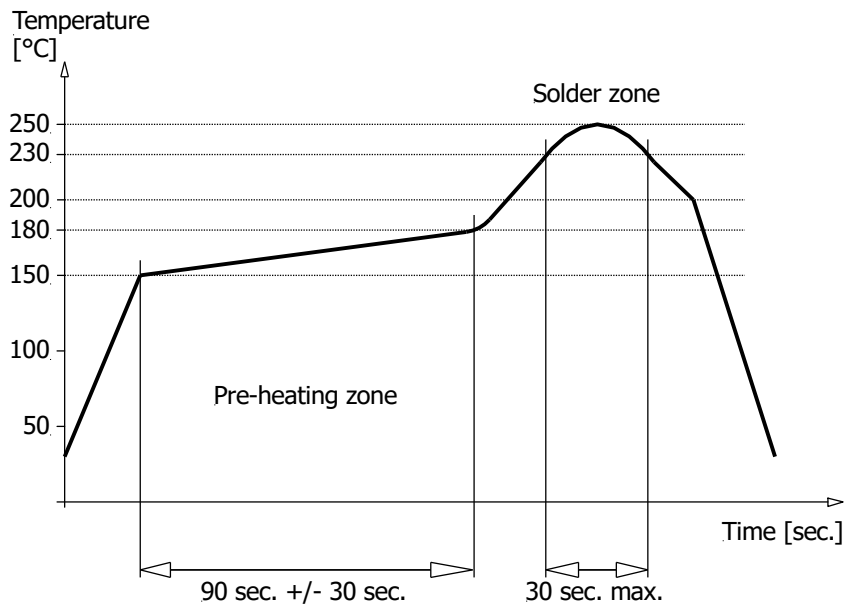


2. Suggestion



Soldering process

1. Lead free solder process



Packing

Standard

2,200 pcs. in tape&reel

Weight

0.28 g/pce.

While the information has been carefully compiled to the best of our knowledge, nothing is intended as representation or warranty on our part and no statement herein shall be construed as recommendation to infringe existing patents. In the effort to improve our products, we reserve the right to make changes judged to be necessary.

Draft	Date	Approved	Date	Rev.	Engineering change number	Name	Date
F. Michelmann	28.09.05	C. Kainzmaier	08.06.18	c00	18-0940	M. Margardt	08.06.18

Rosenberger Hochfrequenztechnik GmbH & Co. KG P.O.Box 1260 D-84526 Tittmoning Germany www.rosenberger.de					Tel. : +49 8684 18-0 Email : info@rosenberger.de		Page 3 / 3
--	--	--	--	--	--	--	---------------