



Chipsmall Limited consists of a professional team with an average of over 10 year of expertise in the distribution of electronic components. Based in Hongkong, we have already established firm and mutual-benefit business relationships with customers from,Europe,America and south Asia,supplying obsolete and hard-to-find components to meet their specific needs.

With the principle of “Quality Parts,Customers Priority,Honest Operation,and Considerate Service”,our business mainly focus on the distribution of electronic components. Line cards we deal with include Microchip,ALPS,ROHM,Xilinx,Pulse,ON,Everlight and Freescale. Main products comprise IC,Modules,Potentiometer,IC Socket,Relay,Connector.Our parts cover such applications as commercial,industrial, and automotives areas.

We are looking forward to setting up business relationship with you and hope to provide you with the best service and solution. Let us make a better world for our industry!



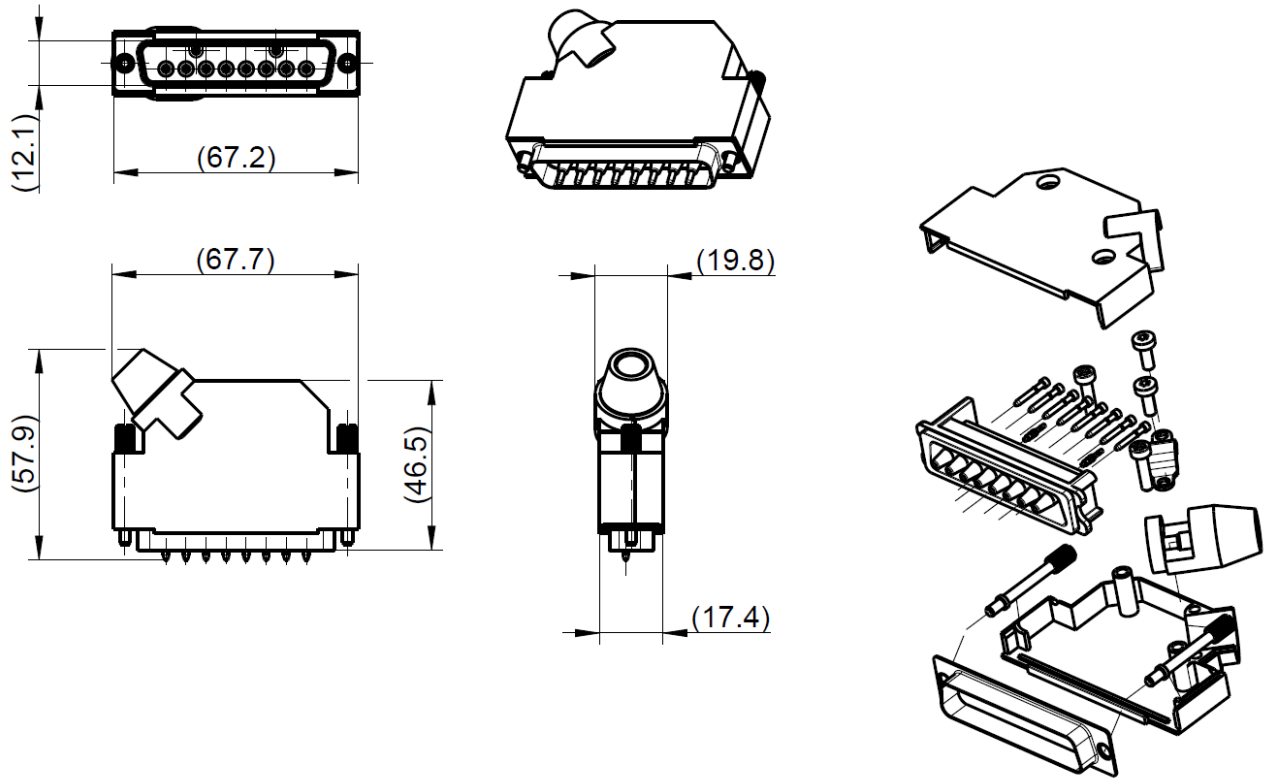
## Contact us

Tel: +86-755-8981 8866 Fax: +86-755-8427 6832

Email & Skype: info@chipsmall.com Web: www.chipsmall.com

Address: A1208, Overseas Decoration Building, #122 Zhenhua RD., Futian, Shenzhen, China





All dimensions are in mm; tolerances according to ISO 2768 m-H

**General data**

Connector

D-SUB High Voltage Plug for cable with max.  $\varnothing$  7.8 mm

8 pins for power transmission; solder type; wires max. AWG 28

2 pins for HVIL (High Voltage Interlock Loop);  
solder/crimp type; wires max. AWG 26

Pluggable with D-SUB High Voltage receptacle 99K076-299A5

**Documents**

Rosenberger:

Applicable document	Designation
99S114-299	Production drawing
MA_99S114-299	Assembly instruction

99

D-SUB High Voltage Connector  
(Cable Plug)

**99S114-299A5**

**Material data**

**Connector parts**

Spring loaded HVIL pin:

- Piston
- Ferrule
- Spring

Power pin

Insulator

Cable grommet

Clamp

D-Sub housing (top & bottom)

D-Sub front

Screw

Jackscrew

**Material**

Brass  
 Brass  
 Steel  
 Brass  
 Grivory XE4063  
 Brass  
 Brass  
 Steel  
 Steel  
 Steel  
 Steel

**Plating**

0.25µm Au over 2.5µm NiP  
 0.25µm Au over 2.5µm NiP  
 0.1µm Au over 2.5µm NiP  
 AuroDur®, gold plated

Nickel  
 Nickel

RoHS

Compliant

**Electrical data**

High voltage pin:

Operating voltage 5,000 V rms  
 Peak voltage 7,000 V rms  
 Operating current 1.5 A  
 Peak current 2.0 A

HVIL pin:

Max. voltage 48 V rms  
 Max. current 1.5 A

Insulation resistance

≥ 5 x10<sup>3</sup> MΩ

**Mechanical data**

Mating cycles

> 500

**Environmental data**

Temperature range

-25°C to + 75°C

**Suitable cables**

RTK 014

Rosenberger High Voltage cable (with 8 single coaxial wires)

**Packing**

Standard

1 pce in plastic bag  
 20 bags in box

Weight

117.9 g/pce

While the information has been carefully compiled to the best of our knowledge, nothing is intended as representation or warranty on our part and no statement herein shall be construed as recommendation to infringe existing patents. In the effort to improve our products, we reserve the right to make changes judged to be necessary.

Draft	Date	Approved	Date	Rev.	Engineering change number	Name	Date
H. Wurm	25.10.12	H. Wurm	31.01.18	b00	18-0206	A.Schuster	31.01.18

Rosenberger Hochfrequenztechnik GmbH & Co. KG P.O.Box 1260 D-84526 Tittmoning Germany <a href="http://www.rosenberger.de">www.rosenberger.de</a>				Tel. : +49 8684 18-0 Fax : +49 8684 18-499 Email : <a href="mailto:info@rosenberger.de">info@rosenberger.de</a>		Page 2 / 2	
--	--	--	--	---	--	---------------	--