



Chipsmall Limited consists of a professional team with an average of over 10 year of expertise in the distribution of electronic components. Based in Hongkong, we have already established firm and mutual-benefit business relationships with customers from,Europe,America and south Asia,supplying obsolete and hard-to-find components to meet their specific needs.

With the principle of "Quality Parts,Customers Priority,Honest Operation,and Considerate Service",our business mainly focus on the distribution of electronic components. Line cards we deal with include Microchip,ALPS,ROHM,Xilinx,Pulse,ON,Everlight and Freescale. Main products comprise IC,Modules,Potentiometer,IC Socket,Relay,Connector.Our parts cover such applications as commercial,industrial, and automotives areas.

We are looking forward to setting up business relationship with you and hope to provide you with the best service and solution. Let us make a better world for our industry!



Contact us

Tel: +86-755-8981 8866 Fax: +86-755-8427 6832

Email & Skype: info@chipsmall.com Web: www.chipsmall.com

Address: A1208, Overseas Decoration Building, #122 Zhenhua RD., Futian, Shenzhen, China



60mm sq.

San Ace 60



General Specifications

- Material Frame: Plastics (Flammability: UL94V-0),
Impeller: Plastics (Flammability: UL94V-0)
- Expected Life Refer to specifications (L10:Survival rate:90% at 60°C ,
rated voltage, and continuously run in a free air state)
- Lead Wire ⊕red ⊖black or blue (Sensor) yellow
- Storage Temperature -30°C to +70°C (Non-condensing)

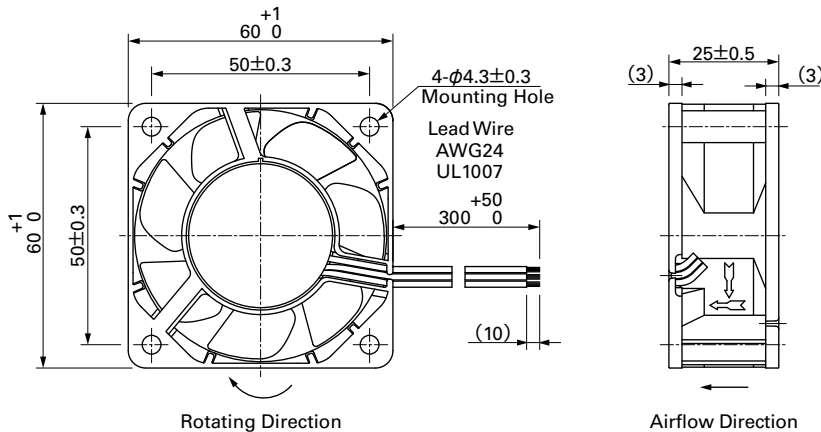
60×60×25mm (Mass : 80g) 9Atype San Cooler

Specifications The following nos. **have pulse sensors and ribs.** For ribless, append "1" to the model no.

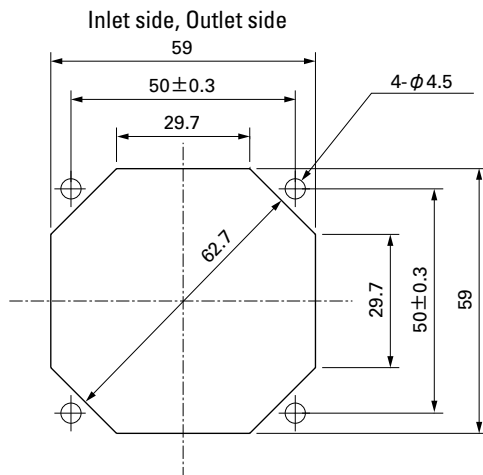
Model No.	Rated Voltage [V]	Operating Voltage Range [V]	Rated Current [A]	Rated Input [W]	Rated Speed [min ⁻¹]	Max. Airflow [m ³ /min] [CFM]	Max. Static Pressure [Pa] [inchH ₂ O]	SPL [dB(A)]	Operating Temperature [°C]	Expected Life [h]		
9A0612G401	12	6 to 13.2	0.24	2.88	5,600	0.78 27.6	87.3 0.351	39	-20 to +60	30,000/60°C		
9A0612S401			0.17	2.04	4,600	0.65 23.0	56.8 0.228	33				
9A0612H401		6 to 13.8	0.11	1.32	3,800	0.53 18.7	40.2 0.161	28			-20 to +70	40,000/60°C
9A0612F401			0.09	1.08	3,200	0.44 15.5	29.4 0.118	24				
9A0612M401			0.06	0.72	2,600	0.36 12.7	19.6 0.079	20				
9A0624G401	24	12 to 27.6	0.13	3.12	5,600	0.78 27.6	87.3 0.351	39	-20 to +60	30,000/60°C		
9A0624S401			0.08	1.92	4,600	0.65 23.0	56.8 0.228	33				
9A0624H401		12 to 27.6	0.06	1.44	3,800	0.53 18.7	40.2 0.161	28			-20 to +70	40,000/60°C
9A0624F401			0.05	1.2	3,200	0.44 15.5	29.4 0.118	24				
9A0624M401			0.04	0.96	2,600	0.36 12.7	19.6 0.079	20				

Other sensor specifications are available as options. Please refer to the index (pp. 499 to 500).

Dimensions (unit: mm) (With ribs)



Reference Dimensions of Mounting Holes and Vent Opening (unit: mm)

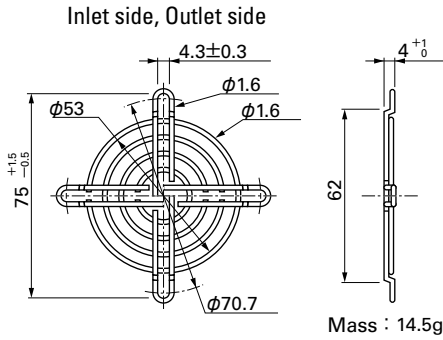


Options (unit: mm)

Finger Guards

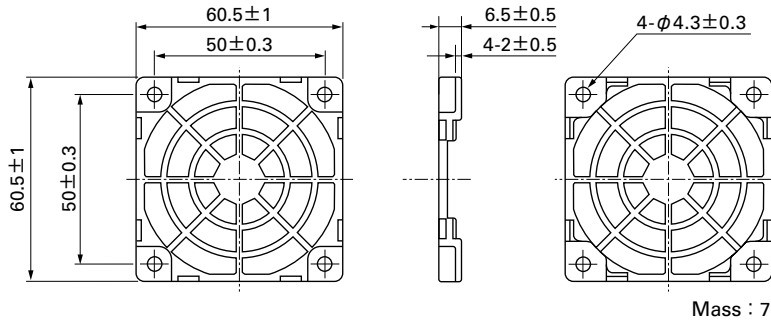
Model : 109-139E Surface treatment : Nickel-chrome plating (silver)
 : 109-139H : Cation electropainting (black)

Color



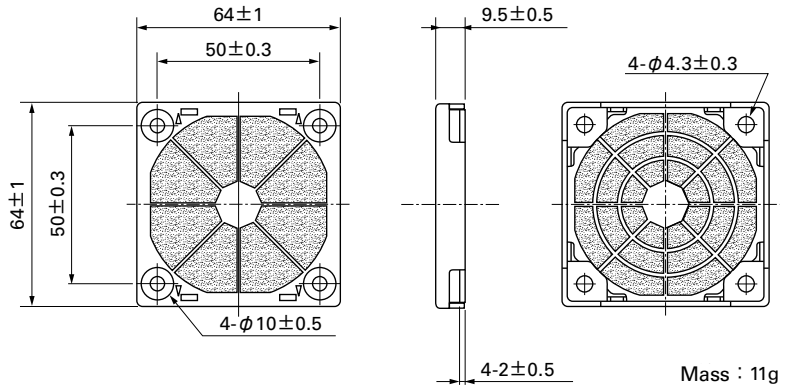
Resin Finger Guards

Model : 109-1003G

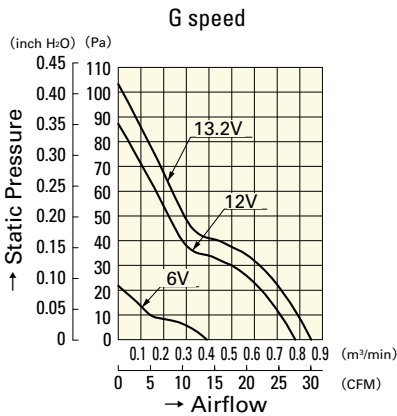


Resin Filter Kits

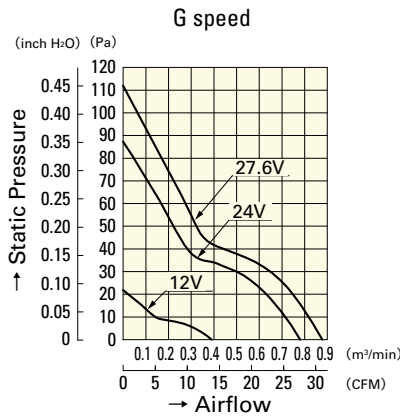
Model : 109-1003F13 (13PPI), 109-1003F20 (20PPI)
 : 109-1003F30 (30PPI), 109-1003F40 (40PPI)



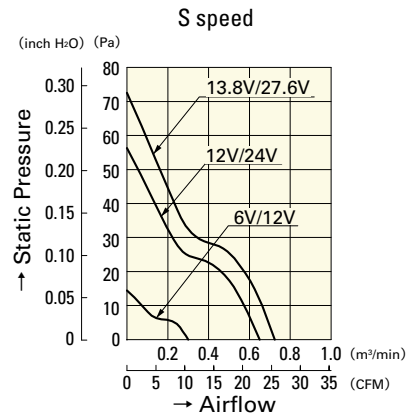
Airflow - Static Pressure Characteristics



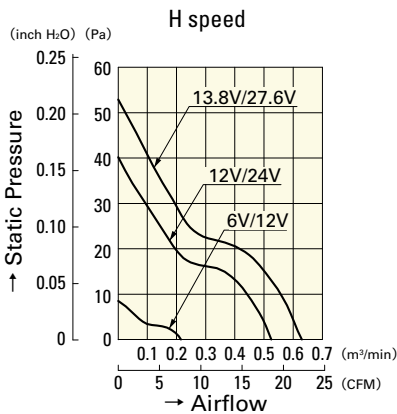
9A0612G401



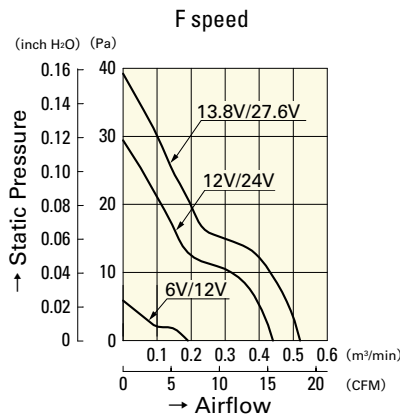
9A0624G401



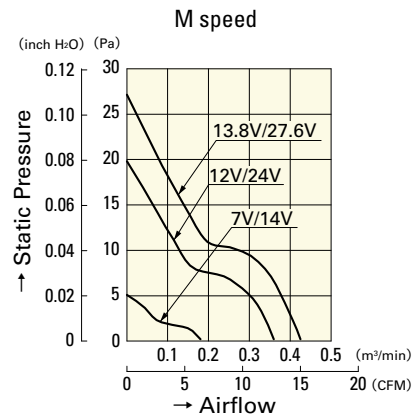
9A0612S401
9A0624S401



9A0612H401
9A0624H401



9A0612F401
9A0624F401



9A0612M401
9A0624M401