



Chipsmall Limited consists of a professional team with an average of over 10 year of expertise in the distribution of electronic components. Based in Hongkong, we have already established firm and mutual-benefit business relationships with customers from,Europe,America and south Asia,supplying obsolete and hard-to-find components to meet their specific needs.

With the principle of “Quality Parts,Customers Priority,Honest Operation,and Considerate Service”,our business mainly focus on the distribution of electronic components. Line cards we deal with include Microchip,ALPS,ROHM,Xilinx,Pulse,ON,Everlight and Freescale. Main products comprise IC,Modules,Potentiometer,IC Socket,Relay,Connector.Our parts cover such applications as commercial,industrial, and automotives areas.

We are looking forward to setting up business relationship with you and hope to provide you with the best service and solution. Let us make a better world for our industry!



## Contact us

Tel: +86-755-8981 8866 Fax: +86-755-8427 6832

Email & Skype: info@chipsmall.com Web: www.chipsmall.com

Address: A1208, Overseas Decoration Building, #122 Zhenhua RD., Futian, Shenzhen, China



**120**mm sq.

# San Ace 120AD



## General Specifications

- Material ..... Frame: Plastics (Flammability: UL94V-0), Impeller: Plastics (Flammability: UL94V-1)
  - Expected Life ..... Refer to specifications (L10:Survival rate: 90% at 60°C , rated voltage,and continuously run in a free air state)
  - Storage Temperature ..... -30°C to +75°C (Non-condensing)
- \* Do not weld directly onto AC input terminals.

**120×120×38mm** [Mass : 290g] **9AD type**

## Specifications

The model no. below has **ribs and no sensors**. For models without ribs, append "1" to the model no.

Model No.	Rated Voltage [V]	Operating Voltage Range [V]	Frequency [Hz]	Rated Current [A]	Rated Input [W]	Rated Speed [min <sup>-1</sup> ]	Max. Airflow [m <sup>3</sup> /min] [CFM]	Max. Static Pressure [Pa] [inchH <sub>2</sub> O]	SPL [dB(A)]	Operating Temperature [°C]	Expected Life [h]
<b>9AD1201H12</b>	100 to 240	90 to 264	50/60	0.08	4.4	3,250	3.0 106	84 0.34	42	-20 to +75	60,000/60°C

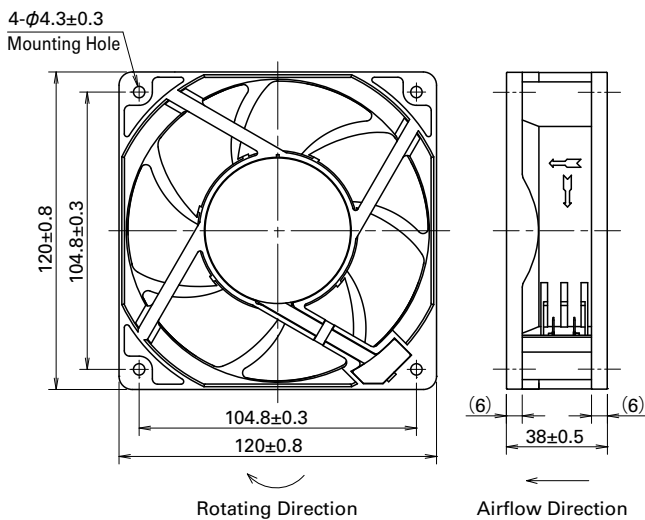
The model no. below has **ribs and low-speed sensors**. For models without ribs, append "1" to the model no.

Model No.	Rated Voltage [V]	Operating Voltage Range [V]	Frequency [Hz]	Rated Current [A]	Rated Input [W]	Rated Speed [min <sup>-1</sup> ]	Max. Airflow [m <sup>3</sup> /min] [CFM]	Max. Static Pressure [Pa] [inchH <sub>2</sub> O]	SPL [dB(A)]	Operating Temperature [°C]	Expected Life [h]
<b>9AD1201H1H</b>	100 to 240	90 to 264	50/60	0.08	4.4	3,250	3.0 106	84 0.34	42	-20 to +75	60,000/60°C

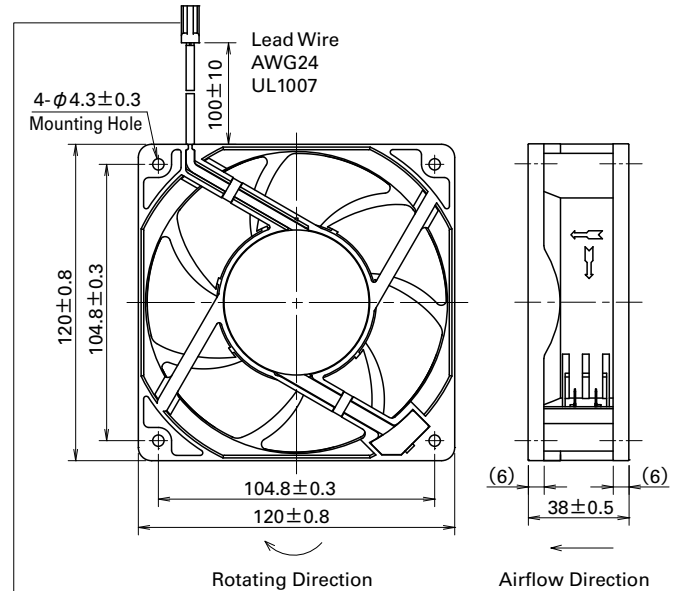
- Set Models** Fan, finger guard, plug cord, screws, etc. can be purchased in one package.  
For details, please refer to pp. 453 to 456.

## Dimensions (unit: mm) (With ribs)

### without Sensor

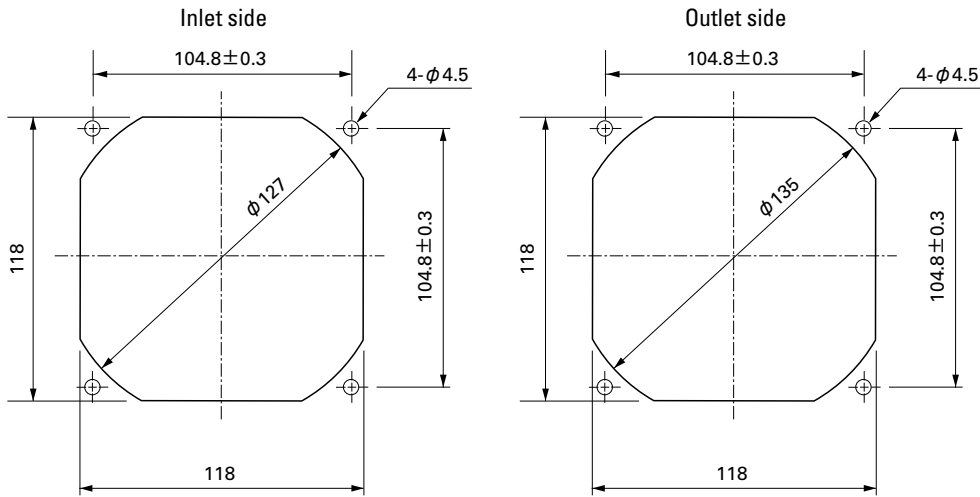


### with Low-speed sensor



Connector: Tyco Electronics 171822-2  
(Pin1 Sensor output: Yellow Pin2 -: Black)  
Contact: Tyco Electronics 170262-1  
\* Recommended connectors and contacts are listed below.  
Connector: Tyco Electronics 172211-2  
Contact: Tyco Electronics 170376-1

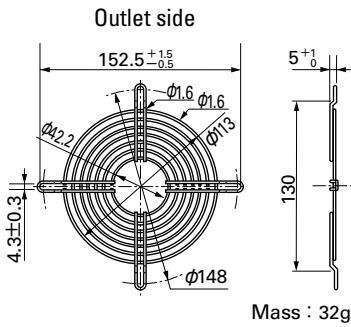
## Reference Dimensions of Mounting Holes and Vent Opening (unit: mm)



## Options (unit: mm)

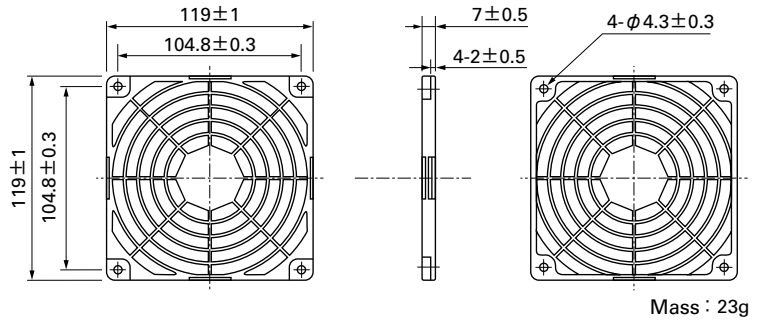
### Finger Guards

Model : 109-019C Surface treatment : Nickel-chrome plating (silver) Color  
 : 109-019H : Cation electropainting (black)

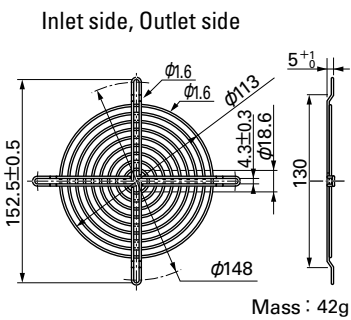


### Resin Finger Guards

Model : 109-1000G

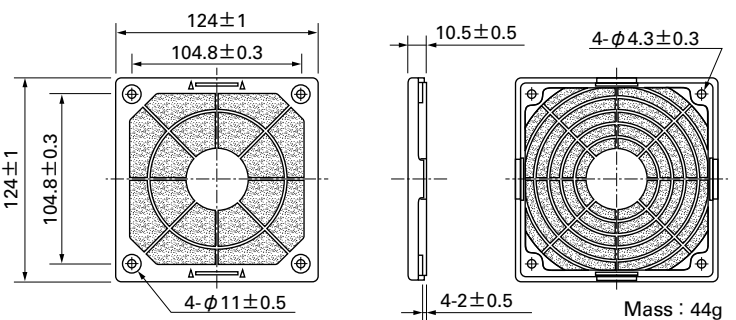


Model : 109-019E Surface treatment : Nickel-chrome plating (silver) Color  
 : 109-019K : Cation electropainting (black)



### Resin Filter Kits

Model: 109-1000F13 (13PPI), 109-1000F20 (20PPI), 109-1000F30 (30PPI), 109-1000F40 (40PPI)





**120** mm sq.

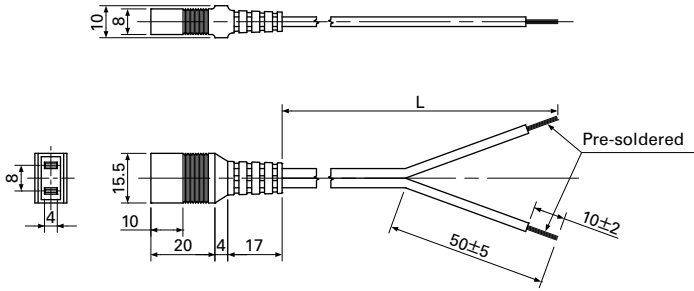
# San Ace 120AD

**120×120×38**mm [Mass : 290g]

## Options (unit: mm)

### Plug Cord

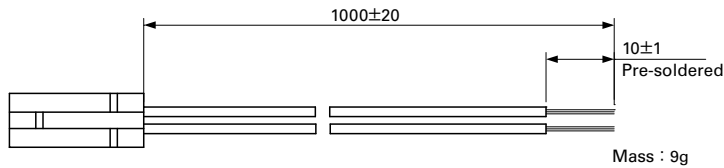
(Products compliant with Electrical Appliance and Material Safety Law, UL/CSA [c-UL] CERTIFIED)  
 UL FILE No. E43202  
 Model : 489-1635-L10/489-1635-L21



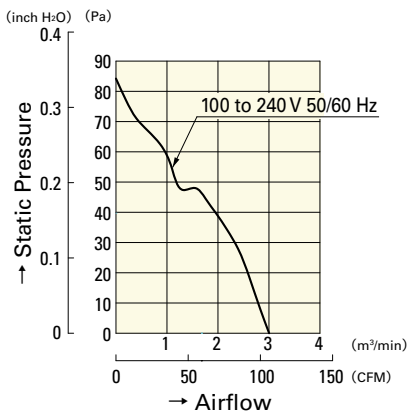
Model	Power cord length (L) [mm]	Mass [g]
489-1635-L10	1,000	38
489-1635-L21	2,100	74

### Wiring Harness for Sensor

Model: 489-1636



## Airflow - Static Pressure Characteristics

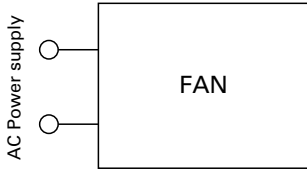


**9AD1201H12**

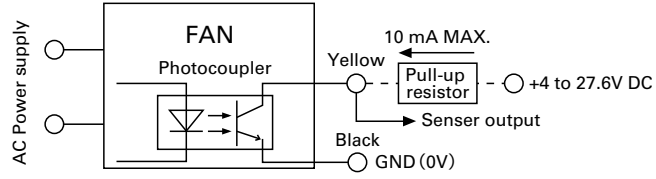
**9AD1201H1H**

## Wiring Diagram

### without Sensor



### with Low-speed sensor

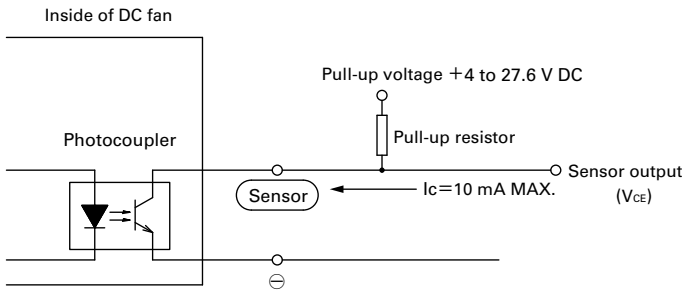


## Specifications for Low-speed Sensors

Model No.: 9AD1201H1H

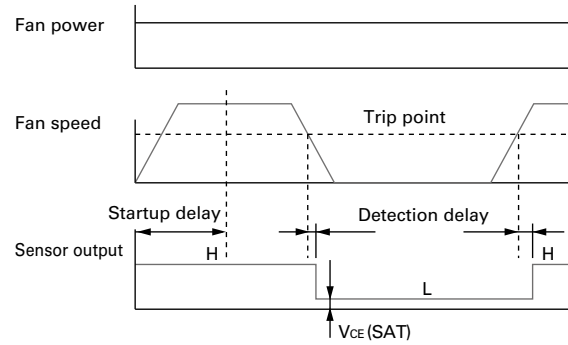
Output circuit: Open collector

$V_{CE} = +27.6 \text{ V DC MAX.}$   
 $I_C = 10 \text{ mA MAX. [} V_{CE(SAT)} = 1.0 \text{ V MAX.]}$

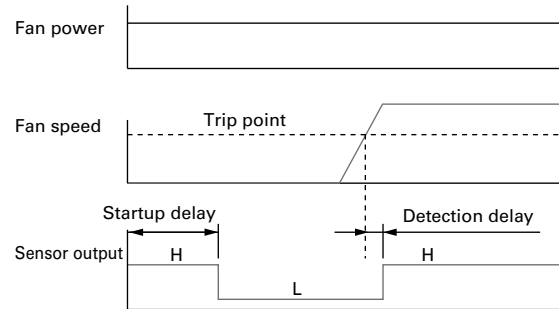


### Sensor scheme

#### Example 1: when steady running



#### Example 2: when the rotor is locked when the fan motor is turned on and released after the start-up delay time.



Startup delay:  $18 \pm 3 \text{ s}$   
 Detection delay:  $3 \text{ s MAX.}$   
 Trip point:  $1,700 \text{ min}^{-1}$