



Chipsmall Limited consists of a professional team with an average of over 10 year of expertise in the distribution of electronic components. Based in Hongkong, we have already established firm and mutual-benefit business relationships with customers from,Europe,America and south Asia,supplying obsolete and hard-to-find components to meet their specific needs.

With the principle of “Quality Parts,Customers Priority,Honest Operation,and Considerate Service”,our business mainly focus on the distribution of electronic components. Line cards we deal with include Microchip,ALPS,ROHM,Xilinx,Pulse,ON,Everlight and Freescale. Main products comprise IC,Modules,Potentiometer,IC Socket,Relay,Connector.Our parts cover such applications as commercial,industrial, and automotives areas.

We are looking forward to setting up business relationship with you and hope to provide you with the best service and solution. Let us make a better world for our industry!



Contact us

Tel: +86-755-8981 8866 Fax: +86-755-8427 6832

Email & Skype: info@chipsmall.com Web: www.chipsmall.com

Address: A1208, Overseas Decoration Building, #122 Zhenhua RD., Futian, Shenzhen, China



Description

The 9DML04 devices are 3.3V members of IDT's Full-Featured PCIe family. The 9DML04 supports PCIe Gen1-4 Common Clocked (CC), Separate Reference no Spread (SRnS), and Separate Reference Independent Spread (SRIS) architectures. The part provides a choice of asynchronous and glitch-free switching modes, and offers a choice of integrated output terminations providing direct connection to 85Ω or 100Ω transmission lines. The 9DML04P1 can be factory programmed with a user-defined power up default SMBus configuration.

Recommended Application

Servers, ATCA, ATE, Master/Slave applications

Output Features

- 4 – 1~200 MHz Low-Power HCSL (LP-HCSL) DIF pairs
 - 9DML0441 default $Z_{OUT} = 100\Omega$
 - 9DML0451 default $Z_{OUT} = 85\Omega$
 - 9DML04P1 factory programmable defaults

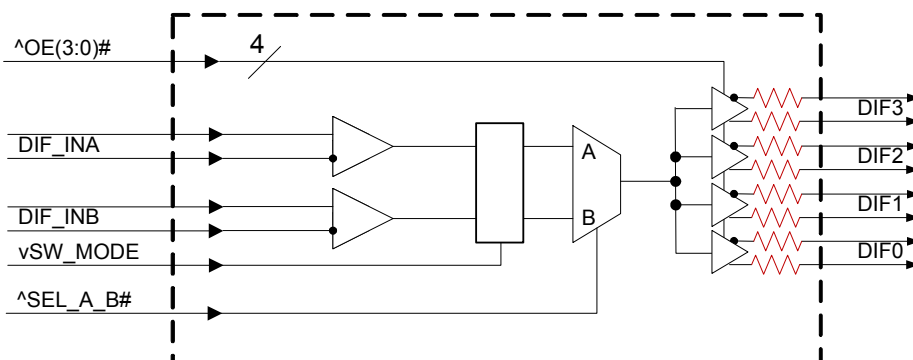
Key Specifications

- PCIe Gen1-2-3-4 CC compliant
- PCIe Gen2-3 SRIS compliant
- DIF additive cycle-to-cycle jitter <1ps
- DIF output-to-output skew <50ps
- Additive phase jitter is <0.1ps rms for PCIe
- Additive phase jitter 160fs rms typ. @156.25M (1.5M to 10M)

Features/Benefits

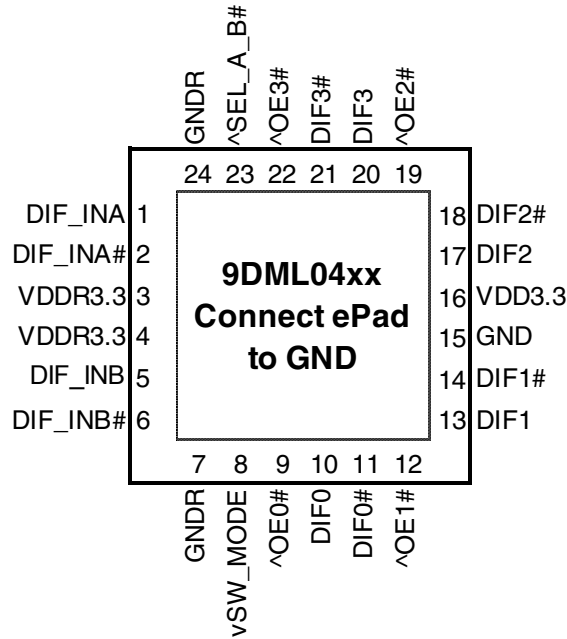
- Direct connection to 100Ω (xx41) or 85Ω (xx51) transmission lines; saves 16 resistors compared to standard PCIe devices
- 76mW typical power consumption; eliminates thermal concerns
- Spread Spectrum (SS) compatible; allows SS for EMI reduction
- Customer defined power up default can be factory programmed into P1 device; allows exact optimization to customer requirements:
 - control input polarity
 - control input pull up/downs
 - slew rate for each output
 - differential output amplitude
 - output impedance for each output
- OE# pins; support DIF power management
- HCSL-compatible differential inputs; can be driven by common clock source
- Selectable asynchronous or glitch-free switching; allows the mux to be selected at power up even if both inputs are not running, then transition to glitch-free switching mode
- Space saving 24-pin 4x4mm VFQFPN; minimal board space

Block Diagram



Note: Resistors default to internal on 41/51 devices. P1 devices have programmable default impedances on an output-by-output basis.

Pin Configuration



24 VFQFPN, 4x4 mm, 0.5mm pitch

^ prefix indicates internal 120KOhm pull up resistor
 v prefix indicates internal 120KOhm pull down resistor

Power Management Table

OEx# Pin	DIF_IN	DIFx	
		True O/P	Comp. O/P
0	Running	Running	Running
1	Running	Low	Low

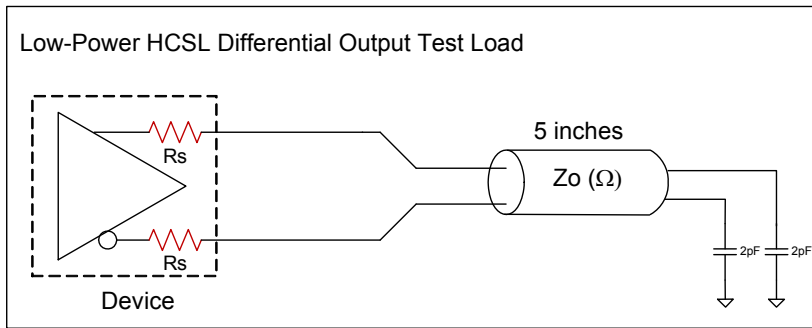
Power Connections

Pin Number		Description
VDD	GND	
3	24	Input A receiver analog
4	7	Input B receiver analog
16	15	DIF outputs

Pin Descriptions

Pin#	Pin Name	Type	Pin Description
1	DIF_INA	IN	HCSL Differential True input
2	DIF_INA#	IN	HCSL Differential Complement Input
3	VDDR3.3	PWR	3.3V power for differential input clock (receiver). This VDD should be treated as an Analog power rail and filtered appropriately.
4	VDDR3.3	PWR	3.3V power for differential input clock (receiver). This VDD should be treated as an Analog power rail and filtered appropriately.
5	DIF_INB	IN	HCSL Differential True input
6	DIF_INB#	IN	HCSL Differential Complement Input
7	GNDR	GND	Analog Ground pin for the differential input (receiver)
8	vSW_MODE	IN	Switch Mode. This pin selects either asynchronous or glitch-free switching of the mux. Use asynchronous mode if 0 or 1 of the input clocks is running. Use glitch-free mode if both input clocks are running. This pin has an internal pull down resistor of ~120kohms. 0 = asynchronous mode 1 = glitch-free mode
9	^OE0#	IN	Active low input for enabling DIF pair 0. This pin has an internal pull-up resistor. 1 =disable outputs, 0 = enable outputs
10	DIF0	OUT	Differential true clock output
11	DIF0#	OUT	Differential Complementary clock output
12	^OE1#	IN	Active low input for enabling DIF pair 1. This pin has an internal pull-up resistor. 1 =disable outputs, 0 = enable outputs
13	DIF1	OUT	Differential true clock output
14	DIF1#	OUT	Differential Complementary clock output
15	GND	GND	Ground pin.
16	VDD3.3	PWR	Power supply, nominal 3.3V
17	DIF2	OUT	Differential true clock output
18	DIF2#	OUT	Differential Complementary clock output
19	^OE2#	IN	Active low input for enabling DIF pair 2. This pin has an internal pull-up resistor. 1 =disable outputs, 0 = enable outputs
20	DIF3	OUT	Differential true clock output
21	DIF3#	OUT	Differential Complementary clock output
22	^OE3#	IN	Active low input for enabling DIF pair 3. This pin has an internal pull-up resistor. 1 =disable outputs, 0 = enable outputs
23	^SEL_A_B#	IN	Input to select differential input clock A or differential input clock B. This input has an internal pull-up resistor. 0 = Input B selected, 1 = Input A selected.
24	GNDR	GND	Analog Ground pin for the differential input (receiver)
25	EPAD	GND	Connect to Ground.

Test Loads



Terminations

Device	$Z_o (\Omega)$	$R_s (\Omega)$
9DML0441	100	None needed
9DML0451	100	7.5
9DML04P1	100	Prog.
9DML0441	85	N/A
9DML0451	85	None needed
9DML04P1	85	Prog.

Alternate Terminations

The 9DML family can easily drive LVPECL, LVDS, and CML logic. See [“AN-891 Driving LVPECL, LVDS, and CML Logic with IDT's "Universal" Low-Power HCSL Outputs”](#) for details.

Absolute Maximum Ratings

Stresses above the ratings listed below can cause permanent damage to the 9DML04. These ratings, which are standard values for IDT commercially rated parts, are stress ratings only. Functional operation of the device at these or any other conditions above those indicated in the operational sections of the specifications is not implied. Exposure to absolute maximum rating conditions for extended periods can affect product reliability. Electrical parameters are guaranteed only over the recommended operating temperature range.

PARAMETER	SYMBOL	CONDITIONS	MIN	TYP	MAX	UNITS	NOTES
Supply Voltage	VDDx				4.6	V	1,2
Input Voltage	V _{IN}		-0.5		V _{DD} +0.5	V	1,3
Input High Voltage, SMBus	V _{IHSMB}	SMBus clock and data pins			3.9	V	1
Storage Temperature	T _s		-65		150	°C	1
Junction Temperature	T _j				125	°C	1
Input ESD protection	ESD prot	Human Body Model	2500			V	1

¹Guaranteed by design and characterization, not 100% tested in production.

²Operation under these conditions is neither implied nor guaranteed.

³Not to exceed 4.6V.

Electrical Characteristics–Clock Input Parameters

T_A = T_{AMB}, Supply Voltages per normal operation conditions, See Test Loads for Loading Conditions

PARAMETER	SYMBOL	CONDITIONS	MIN	TYP	MAX	UNITS	NOTES
Input Common Mode Voltage - DIF_IN	V _{COM}	Common Mode Input Voltage	150		900	mV	1
Input Swing - DIF_IN	V _{SWING}	Differential value	300			mV	1
Input Slew Rate - DIF_IN	dv/dt	Measured differentially	0.4		8	V/ns	1,2
Input Leakage Current	I _{IN}	V _{IN} = V _{DD} , V _{IN} = GND	-5		5	uA	
Input Duty Cycle	d _{tin}	Measurement from differential waveform	45		55	%	1
Input Jitter - Cycle to Cycle	J _{DIFIn}	Differential Measurement	0		125	ps	1

¹Guaranteed by design and characterization, not 100% tested in production.

²Slew rate measured through +/-75mV window centered around differential zero

Electrical Characteristics–Current Consumption

T_A = T_{AMB}, Supply Voltages per normal operation conditions, See Test Loads for Loading Conditions

PARAMETER	SYMBOL	CONDITIONS	MIN	TYP	MAX	UNITS	NOTES
Operating Supply Current	I _{DD}	VDD, All outputs active @100MHz		23	30	mA	
Powerdown Current	I _{DDPD}	VDD, all outputs disabled		1.6	2.5	mA	1

¹Input clock stopped.

Electrical Characteristics–Input/Supply/Common Parameters–Normal Operating Conditions

$T_A = T_{AMB}$, Supply Voltages per normal operation conditions, See Test Loads for Loading Conditions

PARAMETER	SYMBOL	CONDITIONS	MIN	TYP	MAX	UNITS	NOTES
Supply Voltage	VDDx	Supply voltage for core and analog	3.135	3.3	3.465	V	
Ambient Operating Temperature	T_{AMB}	Industrial range	-40	25	85	°C	
Input High Voltage	V_{IH}	Single-ended inputs, except SMBus	$0.75 V_{DD}$		$V_{DD} + 0.3$	V	
Input Low Voltage	V_{IL}	Single-ended inputs, except SMBus	-0.3		$0.25 V_{DD}$	V	
Input Current	I_{IN}	Single-ended inputs, $V_{IN} = GND$, $V_{IN} = V_{DD}$	-5		5	uA	
	I_{INP}	Single-ended inputs $V_{IN} = 0 V$; Inputs with internal pull-up resistors $V_{IN} = V_{DD}$; Inputs with internal pull-down resistors	-50		50	uA	
Input Frequency	F_{ibvp}		1		200	MHz	2
Pin Inductance	L_{pin}				7	nH	1
Capacitance	C_{IN}	Logic Inputs, except DIF_IN	1.5		5	pF	1
	C_{INDIF_IN}	DIF_IN differential clock inputs	1.5		2.7	pF	1
	C_{OUT}	Output pin capacitance			6	pF	1
Clk Stabilization	T_{STAB}	From V_{DD} Power-Up and after input clock stabilization or de-assertion of PD# to 1st clock		0.7	1	ms	1,2
Input SS Modulation Frequency PCIe	$f_{MODINPCIe}$	Allowable Frequency for PCIe Applications (Triangular Modulation)	30	31.5	33	kHz	
Input SS Modulation Frequency non-PCIe	f_{MODIN}	Allowable Frequency for non-PCIe Applications (Triangular Modulation)	0		66	kHz	
OE# Latency	$t_{LATOE\#}$	DIF start after OE# assertion DIF stop after OE# deassertion	1	2	3	clocks	1,3
Tdrive_PD#	t_{DRVPD}	DIF output enable after PD# de-assertion			300	us	1,3
Tfall	t_F	Fall time of single-ended control inputs			5	ns	2
Trise	t_R	Rise time of single-ended control inputs			5	ns	2

¹Guaranteed by design and characterization, not 100% tested in production.

²Control input must be monotonic from 20% to 80% of input swing.

³Time from deassertion until outputs are >200 mV

⁴The differential input clock must be running for the SMBus to be active

Electrical Characteristics–DIF Low-Power HCSL Outputs

TA = T_{AMB}, Supply Voltages per normal operation conditions, See Test Loads for Loading Conditions

PARAMETER	SYMBOL	CONDITIONS	MIN	TYP	MAX	UNITS	NOTES
Slew rate	dV/dt	Scope averaging on, default settings	1.5	2.6	4	V/ns	1,2,3
Slew rate matching	$\Delta dV/dt$	Slew rate matching		8.6	20	%	1,2,4
Voltage High	V _{HIGH}	Statistical measurement on single-ended signal using oscilloscope math function. (Scope averaging on)	660	780	850	mV	7
Voltage Low	V _{LOW}		-150	-32	150		7
Max Voltage	V _{max}	Measurement on single ended signal using absolute value. (Scope averaging off)		835	1150	mV	7
Min Voltage	V _{min}		-300	-90			7
Crossing Voltage (abs)	V _{cross_abs}	Scope averaging off	250	406	550	mV	1,5
Crossing Voltage (var)	Δ -V _{cross}	Scope averaging off		20	140	mV	1,6

¹Guaranteed by design and characterization, not 100% tested in production.

² Measured from differential waveform

³ Slew rate is measured through the V_{swing} voltage range centered around differential 0V. This results in a +/-150mV window around differential 0V. These are defaults for the 41/51 devices, alternate settings are available in the P1 device.

⁴ Matching applies to rising edge rate for Clock and falling edge rate for Clock#. It is measured using a +/-75mV window centered on the average cross point where Clock rising meets Clock# falling. The median cross point is used to calculate the voltage thresholds the oscilloscope is to use for the edge rate calculations.

⁵ V_{cross} is defined as voltage where Clock = Clock# measured on a component test board and only applies to the differential rising edge (i.e. Clock rising and Clock# falling).

⁶ The total variation of all V_{cross} measurements in any particular system. Note that this is a subset of V_{cross_min/max} (V_{cross} absolute) allowed. The intent is to limit V_{cross} induced modulation by setting Δ -V_{cross} to be smaller than V_{cross} absolute.

⁷ These are defaults for the 41/51 devices. They are factory adjustable in the P1 device.

Electrical Characteristics–Output Duty Cycle, Jitter, Skew and PLL Characteristics

TA = T_{AMB}, Supply Voltages per normal operation conditions, See Test Loads for Loading Conditions

PARAMETER	SYMBOL	CONDITIONS	MIN	TYP	MAX	UNITS	NOTES
Duty Cycle Distortion	t _{DCD}	Measured differentially, @100MHz	-0.5	0.3	1.2	%	1,3
Skew, Input to Output	t _{pd}	V _T = 50%	2600	3428	4500	ps	1
Skew, Output to Output	t _{sk3}	V _T = 50%		23	50	ps	1
Jitter, Cycle to cycle	t _{cyc-cyc}	Additive Jitter in Bypass Mode		0.1	1	ps	1,2

¹ Guaranteed by design and characterization, not 100% tested in production.

² Measured from differential waveform

³ Duty cycle distortion is the difference in duty cycle between the output and the input clock.

Electrical Characteristics—Filtered Phase Jitter Parameters - PCIe Common Clocked (CC) Architectures

T_{AMB} = over the specified operating range. Supply Voltages per normal operation conditions, See Test Loads for Loading Conditions

PARAMETER	SYMBOL	CONDITIONS	MIN	TYP	MAX	INDUSTRY LIMIT	UNITS	Notes
Additive Phase Jitter	$t_{jphPCIeG1-CC}$	PCIe Gen 1		0.0	0.01	n/a	ps (p-p)	1,2,3,5
	$t_{jphPCIeG2-CC}$	PCIe Gen 2 Lo Band 10kHz < f < 1.5MHz (PLL BW of 5-16MHz or 8-5MHz, CDR = 5MHz)		0.0	0.01		ps (rms)	1,2,4,5
		PCIe Gen 2 High Band 1.5MHz < f < Nyquist (50MHz) (PLL BW of 5-16MHz or 8-5MHz, CDR = 5MHz)		0.0	0.01		ps (rms)	1,2,4,5
	$t_{jphPCIeG3-CC}$	PCIe Gen 3 (PLL BW of 2-4MHz or 2-5MHz, CDR = 10MHz)		0.0	0.01		ps (rms)	1,2,4,5
	$t_{jphPCIeG4-CC}$	PCIe Gen 4 (PLL BW of 2-4MHz or 2-5MHz, CDR = 10MHz)		0.0	0.01		ps (rms)	1,2,4,5

¹ Applies to all outputs.

² Based on PCIe Base Specification Rev4.0 version 0.7draft. See <http://www.pcisig.com> for latest specifications.

³ Sample size of at least 100K cycles. This figures extrapolates to 108ps pk-pk @ 1M cycles for a BER of 1-12.

⁴ For RMS values additive jitter is calculated by solving the following equation for b [$a^2+b^2=c^2$] where a is rms input jitter and c is rms total

⁵ Driven by 9FGL0841 or equivalent

Electrical Characteristics—Filtered Phase Jitter Parameters - PCIe Separate Reference Independent Spread (SRIS) Architectures⁵

T_{AMB} = over the specified operating range. Supply Voltages per normal operation conditions, See Test Loads for Loading Conditions

PARAMETER	SYMBOL	CONDITIONS	MIN	TYP	MAX	INDUSTRY LIMIT	UNITS	Notes
Additive Phase Jitter	$t_{jphPCIeG2-SRIS}$	PCIe Gen 2 (PLL BW of 16MHz, CDR = 5MHz)		0.0	0.01	n/a	ps (rms)	1,2,4
	$t_{jphPCIeG3-SRIS}$	PCIe Gen 3 (PLL BW of 2-4MHz or 2-5MHz, CDR = 10MHz)		0.0	0.01		ps (rms)	1,2,4

¹ Applies to all outputs.

² Based on PCIe Base Specification Rev3.1a. These filters are different than Common Clock filters. See <http://www.pcisig.com> for latest

³ Sample size of at least 100K cycles. This figures extrapolates to 108ps pk-pk @ 1M cycles for a BER of 1-12.

⁴ For RMS values, additive jitter is calculated by solving the following equation for b [$a^2+b^2=c^2$] where a is rms input jitter and c is rms total

⁵ As of PCIe Base Specification Rev4.0 draft 0.7, SRIS is not currently defined for Gen1 or Gen4.

Electrical Characteristics— Unfiltered Phase Jitter Parameters

$T_A = T_{AMB}$, Supply Voltages per normal operation conditions, See Test Loads for Loading Conditions

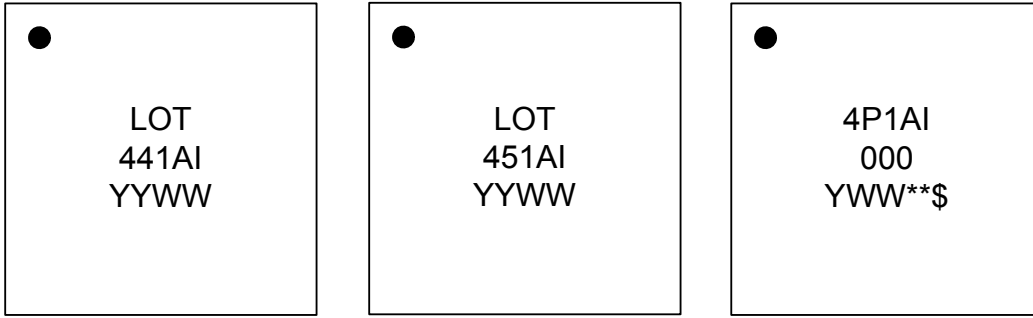
PARAMETER	SYMBOL	CONDITIONS	MIN	TYP	MAX	INDUSTRY LIMIT	UNITS	Notes
Additive Phase Jitter, Fanout Mode	$t_{jph156M}$	156.25MHz, 1.5MHz to 10MHz, -20dB/decade rollover < 1.5MHz, -40db/decade rolloff > 10MHz		159		N/A	fs (rms)	1,2,3
	$t_{jph156M12k-20}$	156.25MHz, 12kHz to 20MHz, -20dB/decade rollover <12kHz, -40db/decade rolloff > 20MHz		363		N/A	fs (rms)	1,2,3

¹ Guaranteed by design and characterization, not 100% tested in production.

² Driven by Rohde&Schartz SMA100

³ For RMS figures, additive jitter is calculated by solving the following equation: Additive jitter = SQRT[(total jitter)² - (input jitter)²]

Marking Diagrams



Notes:

1. "LOT" is the lot sequence number.
2. "YYWW" or "YWW" is the digits of the year and week that the part was assembled.
3. "I" denotes industrial temperature range device.
4. "P" denotes factory programmable defaults.
5. "***" denotes the lot sequence.
6. "\$" denotes the mark code.

Thermal Characteristics

PARAMETER	SYMBOL	CONDITIONS	PKG	TYP VALUE	UNITS	NOTES
Thermal Resistance	θ_{JC}	Junction to Case	NLG24	42	°C/W	1
	θ_{Jb}	Junction to Base		2.4	°C/W	1
	θ_{JA0}	Junction to Air, still air		39	°C/W	1
	θ_{JA1}	Junction to Air, 1 m/s air flow		33	°C/W	1
	θ_{JA3}	Junction to Air, 3 m/s air flow		28	°C/W	1
	θ_{JA5}	Junction to Air, 5 m/s air flow		27	°C/W	1

¹ePad soldered to board

Package Outline and Package Dimensions (NLG24). Use EPAD Option P1

REVISIONS			
REV	DESCRIPTION	DATE	APPROVED
00	INITIAL RELEASE	10/15/08	RAC
01	ADD LAND PATTERN	11/19/10	JG
03	ADD EPAD OPTION	05/20/15	CM
04	ADD NOTE 13 ON PIN 1 ID	07/09/15	J-HUA
05	CORRECT TITLE BLOCK	9/15/15	J-HUA

IDT. 6024 Silver Creek Valley Road
San Jose, CA 95138
PHONE: (408) 284-8200
WWW.IDT.COM FAX: (408) 284-8591

TOLERANCES UNLESS SPECIFIED:
DECIMAL ANGULAR
XXX±
XXX±

APPROVALS DATE 10/15/08
DRAWN BY: JAC
CHECKED:

TITLE: NLG24 PACKAGE OUTLINE
4.0 x 4.0 mm BODY
0.5 mm PITCH VFPFN

SIZE: C
DRAWING No.: PSC-4192
REV: 05

DO NOT SCALE DRAWING SHEET 1 OF 2

SYMBOL	P1	P2	P3
MIN	2.30	2.45	2.60
NOM	2.45	2.60	2.70
MAX	2.60	2.80	2.90
D2	2.30	2.45	2.60
E2	2.30	2.45	2.60

EPAD OPTION:

NOTE 13: PIN 1 IDENTIFIER

DIMENSIONS	
MIN.	NOM. MAX.
0.80	1.0
0.00	0.05
0	0.20 REF.
0.30	0.50
0.18	0.25
0.40	0.30

DIMENSIONS	
MIN.	NOM. MAX.
0.80	1.0
0.00	0.05
0	0.20 REF.
0.30	0.50
0.18	0.25
0.40	0.30

DIMENSIONS	
MIN.	NOM. MAX.
0.80	1.0
0.00	0.05
0	0.20 REF.
0.30	0.50
0.18	0.25
0.40	0.30

DIMENSIONS	
MIN.	NOM. MAX.
0.80	1.0
0.00	0.05
0	0.20 REF.
0.30	0.50
0.18	0.25
0.40	0.30

DIMENSIONS	
MIN.	NOM. MAX.
0.80	1.0
0.00	0.05
0	0.20 REF.
0.30	0.50
0.18	0.25
0.40	0.30

DIMENSIONS	
MIN.	NOM. MAX.
0.80	1.0
0.00	0.05
0	0.20 REF.
0.30	0.50
0.18	0.25
0.40	0.30

DIMENSIONS	
MIN.	NOM. MAX.
0.80	1.0
0.00	0.05
0	0.20 REF.
0.30	0.50
0.18	0.25
0.40	0.30

DIMENSIONS	
MIN.	NOM. MAX.
0.80	1.0
0.00	0.05
0	0.20 REF.
0.30	0.50
0.18	0.25
0.40	0.30

DIMENSIONS	
MIN.	NOM. MAX.
0.80	1.0
0.00	0.05
0	0.20 REF.
0.30	0.50
0.18	0.25
0.40	0.30

DIMENSIONS	
MIN.	NOM. MAX.
0.80	1.0
0.00	0.05
0	0.20 REF.
0.30	0.50
0.18	0.25
0.40	0.30

DIMENSIONS	
MIN.	NOM. MAX.
0.80	1.0
0.00	0.05
0	0.20 REF.
0.30	0.50
0.18	0.25
0.40	0.30

DIMENSIONS	
MIN.	NOM. MAX.
0.80	1.0
0.00	0.05
0	0.20 REF.
0.30	0.50
0.18	0.25
0.40	0.30

DIMENSIONS	
MIN.	NOM. MAX.
0.80	1.0
0.00	0.05
0	0.20 REF.
0.30	0.50
0.18	0.25
0.40	0.30

DIMENSIONS	
MIN.	NOM. MAX.
0.80	1.0
0.00	0.05
0	0.20 REF.
0.30	0.50
0.18	0.25
0.40	0.30

DIMENSIONS	
MIN.	NOM. MAX.
0.80	1.0
0.00	0.05
0	0.20 REF.
0.30	0.50
0.18	0.25
0.40	0.30

DIMENSIONS	
MIN.	NOM. MAX.
0.80	1.0
0.00	0.05
0	0.20 REF.
0.30	0.50
0.18	0.25
0.40	0.30

DIMENSIONS	
MIN.	NOM. MAX.
0.80	1.0
0.00	0.05
0	0.20 REF.
0.30	0.50
0.18	0.25
0.40	0.30

DIMENSIONS	
MIN.	NOM. MAX.
0.80	1.0
0.00	0.05
0	0.20 REF.
0.30	0.50
0.18	0.25
0.40	0.30

DIMENSIONS	
MIN.	NOM. MAX.
0.80	1.0
0.00	0.05
0	0.20 REF.
0.30	0.50
0.18	0.25
0.40	0.30

DIMENSIONS	
MIN.	NOM. MAX.
0.80	1.0
0.00	0.05
0	0.20 REF.
0.30	0.50
0.18	0.25
0.40	0.30

DIMENSIONS	
MIN.	NOM. MAX.
0.80	1.0
0.00	0.05
0	0.20 REF.
0.30	0.50
0.18	0.25
0.40	0.30

DIMENSIONS	
MIN.	NOM. MAX.
0.80	1.0
0.00	0.05
0	0.20 REF.
0.30	0.50
0.18	0.25
0.40	0.30

DIMENSIONS	
MIN.	NOM. MAX.
0.80	1.0
0.00	0.05
0	0.20 REF.
0.30	0.50
0.18	0.25
0.40	0.30

DIMENSIONS	
MIN.	NOM. MAX.
0.80	1.0
0.00	0.05
0	0.20 REF.
0.30	0.50
0.18	0.25
0.40	0.30

DIMENSIONS	
MIN.	NOM. MAX.
0.80	1.0
0.00	0.05
0	0.20 REF.
0.30	0.50
0.18	0.25
0.40	0.30

DIMENSIONS	
MIN.	NOM. MAX.
0.80	1.0
0.00	0.05
0	0.20 REF.
0.30	0.50
0.18	0.25
0.40	0.30

DIMENSIONS	
MIN.	NOM. MAX.
0.80	1.0
0.00	0.05
0	0.20 REF.
0.30	0.50
0.18	0.25
0.40	0.30

DIMENSIONS	
MIN.	NOM. MAX.
0.80	1.0
0.00	0.05
0	0.20 REF.
0.30	0.50
0.18	0.25
0.40	0.30

DIMENSIONS	
MIN.	NOM. MAX.
0.80	1.0
0.00	0.05
0	0.20 REF.
0.30	0.50
0.18	0.25
0.40	0.30

DIMENSIONS	
MIN.	NOM. MAX.
0.80	1.0
0.00	0.05
0	0.20 REF.
0.30	0.50
0.18	0.25
0.40	0.30

DIMENSIONS	
MIN.	NOM. MAX.
0.80	1.0
0.00	0.05
0	0.20 REF.
0.30	0.50
0.18	0.25
0.40	0.30

DIMENSIONS	
MIN.	NOM. MAX.
0.80	1.0
0.00	0.05
0	0.20 REF.
0.30	0.50
0.18	0.25
0.40	0.30

DIMENSIONS	
MIN.	NOM. MAX.
0.80	1.0
0.00	0.05
0	0.20 REF.
0.30	0.50
0.18	0.25
0.40	0.30

DIMENSIONS	
MIN.	NOM. MAX.
0.80	1.0
0.00	0.05
0	0.20 REF.
0.30	0.50
0.18	0.25
0.40	0.30

DIMENSIONS	
MIN.	NOM. MAX.
0.80	1.0
0.00	0.05
0	0.20 REF.
0.30	0.50
0.18	0.25
0.40	0.30

DIMENSIONS	
MIN.	NOM. MAX.
0.80	1.0
0.00	0.05
0	0.20 REF.
0.30	0.50
0.18	0.25
0.40	0.30

DIMENSIONS	
MIN.	NOM. MAX.
0.80	1.0
0.00	0.05
0	0.20 REF.
0.30	0.50
0.18	0.25
0.40	0.30

DIMENSIONS	
MIN.	NOM. MAX.
0.80	1.0
0.00	0.05
0	0.20 REF.
0.30	0.50
0.18	0.25
0.40	0.30

DIMENSIONS	
MIN.	NOM. MAX.
0.80	1.0
0.00	0.05
0	0.20 REF.
0.30	0.50
0.18	0.25
0.40	0.30

DIMENSIONS	
MIN.	NOM. MAX.
0.80	1.0
0.00	0.05
0	0.20 REF.
0.30	0.50
0.18	0.25
0.40	0.30

DIMENSIONS	
MIN.	NOM. MAX.
0.80	1.0
0.00	0.05
0	0.20 REF.
0.30	0.50
0.18	0.25
0.40	0.30

DIMENSIONS	
MIN.	NOM. MAX.
0.80	1.0
0.00	0.05
0	0.20 REF.
0.30	0.50
0.18	0.25
0.40	0.30

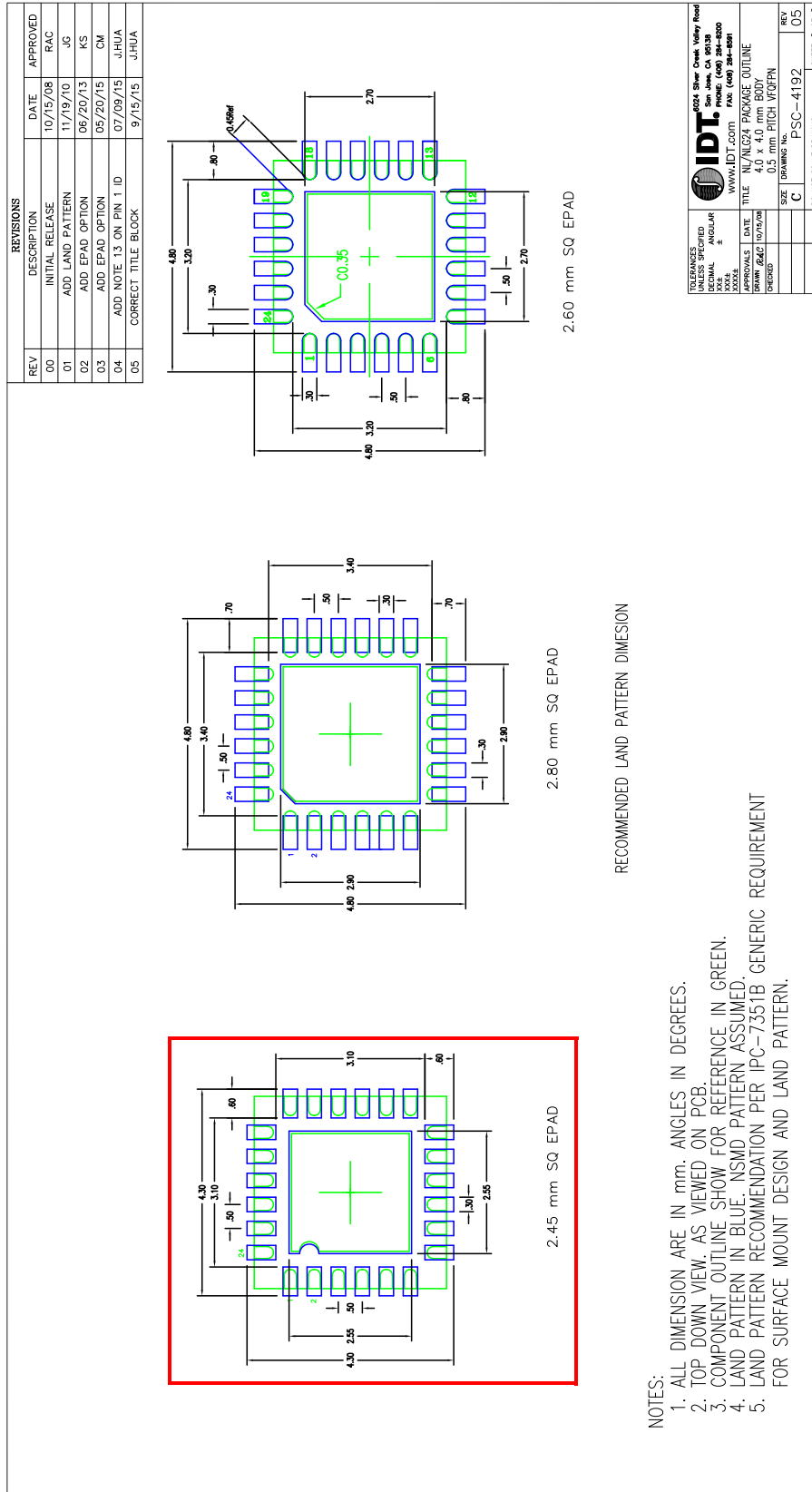
DIMENSIONS	
MIN.	NOM. MAX.
0.80	1.0
0.00	0.05
0	0.20 REF.
0.30	0.50
0.18	0.25
0.40	0.30

DIMENSIONS	
MIN.	NOM. MAX.
0.80	1.0
0.00	0.05
0	0.20 REF.
0.30	0.50
0.18	0.25
0.40	0.30

DIMENSIONS	
MIN.	NOM. MAX.
0.80	1.0
0.00	0.05
0	0.20 REF.
0.30	0.50
0.18	0.25
0.40	0.30

DIMENSIONS	
MIN.	NOM. MAX.
0.80	1.0
0.00	0.05
0	0.20 REF.
0.30	0.50
0.18	0.25
0.40	0.30

Package Outline and Package Dimensions (NLG24), cont. Use 2.45mm SQ EPAD



Ordering Information

Part / Order Number	Notes	ShippingPackaging	Package	Temperature
9DML0441AKILF	100Ω	Trays	24-pin VFQFPN	-40 to +85° C
9DML0441AKILFT		Tape and Reel	24-pin VFQFPN	-40 to +85° C
9DML0451AKILF	85Ω	Trays	24-pin VFQFPN	-40 to +85° C
9DML0451AKILFT		Tape and Reel	24-pin VFQFPN	-40 to +85° C
9DML04P1AxxxKILF	Factory configurable. Contact IDT for additional information.	Trays	24-pin VFQFPN	-40 to +85° C
9DML04P1AxxxKILFT		Tape and Reel	24-pin VFQFPN	-40 to +85° C

“LF” suffix to the part number are the Pb-Free configuration and are RoHS compliant.

“A” is the device revision designator (will not correlate with the datasheet revision).

“xxx” is a unique factory assigned number to identify a particular default configuration.

Revision History

Rev.	Initiator	Issue Date	Description	Page #
A	RDW	6/6/2016	<ol style="list-style-type: none"> 1. Updated leakage current spec for inputs with pull/up/down to +/-50uA. 2. Updated electrical tables with char data 3. Update Front page text 4. Updated ordering information 5. Move to Final. 	Various



Corporate Headquarters
6024 Silver Creek Valley Road
San Jose, CA 95138 USA
www.IDT.com

Sales
1-800-345-7015 or 408-284-8200
Fax: 408-284-2775
www.IDT.com/go/sales

Tech Support
www.idt.com/go/support

DISCLAIMER Integrated Device Technology, Inc. (IDT) and its subsidiaries reserve the right to modify the products and/or specifications described herein at any time and at IDT's sole discretion. All information in this document, including descriptions of product features and performance, is subject to change without notice. Performance specifications and the operating parameters of the described products are determined in the independent state and are not guaranteed to perform the same way when installed in customer products. The information contained herein is provided without representation or warranty of any kind, whether express or implied, including, but not limited to, the suitability of IDT's products for any particular purpose, an implied warranty of merchantability, or non-infringement of the intellectual property rights of others. This document is presented only as a guide and does not convey any license under intellectual property rights of IDT or any third parties.

IDT's products are not intended for use in applications involving extreme environmental conditions or in life support systems or similar devices where the failure or malfunction of an IDT product can be reasonably expected to significantly affect the health or safety of users. Anyone using an IDT product in such a manner does so at their own risk, absent an express, written agreement by IDT.

Integrated Device Technology, IDT and the IDT logo are registered trademarks of IDT. Product specification subject to change without notice. Other trademarks and service marks used herein, including protected names, logos and designs, are the property of IDT or their respective third party owners.

Copyright ©2015 Integrated Device Technology, Inc.. All rights reserved.