



Chipsmall Limited consists of a professional team with an average of over 10 year of expertise in the distribution of electronic components. Based in Hongkong, we have already established firm and mutual-benefit business relationships with customers from,Europe,America and south Asia,supplying obsolete and hard-to-find components to meet their specific needs.

With the principle of “Quality Parts,Customers Priority,Honest Operation,and Considerate Service”,our business mainly focus on the distribution of electronic components. Line cards we deal with include Microchip,ALPS,ROHM,Xilinx,Pulse,ON,Everlight and Freescale. Main products comprise IC,Modules,Potentiometer,IC Socket,Relay,Connector.Our parts cover such applications as commercial,industrial, and automotives areas.

We are looking forward to setting up business relationship with you and hope to provide you with the best service and solution. Let us make a better world for our industry!



## Contact us

Tel: +86-755-8981 8866 Fax: +86-755-8427 6832

Email & Skype: info@chipsmall.com Web: www.chipsmall.com

Address: A1208, Overseas Decoration Building, #122 Zhenhua RD., Futian, Shenzhen, China



**92**mm sq.

# San Ace 92



## General Specifications

- Material ..... Frame: Plastics (Flammability: UL94V-0),  
Impeller: Plastics (Flammability: UL94V-0)
- Expected Life ..... Refer to specifications (L10:Survival rate:90% at 60°C ,  
rated voltage, and continuously run in a free air state)
- Lead Wire ..... ⊕red ⊖black (Sensor) yellow
- Storage Temperature ..... -30°C to +70°C (Non-condensing)

**92×92×38mm** (Mass : 180g) **9G type**

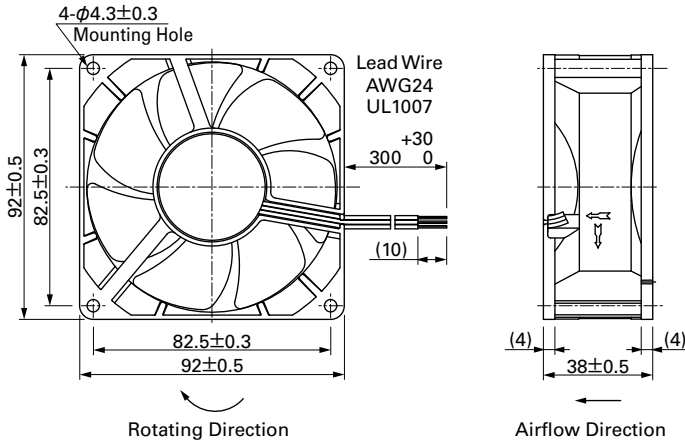
## Specifications

The following nos. **have pulse sensors and ribs**. For ribless, append "1" to the model no.

Model No.	Rated Voltage [V]	Operating Voltage Range [V]	Rated Current [A]	Rated Input [W]	Rated Speed [min <sup>-1</sup> ]	Max. Airflow [m <sup>3</sup> /min] [CFM]	Max. Static Pressure [Pa] [inchH <sub>2</sub> O]	SPL [dB(A)]	Operating Temperature [°C]	Expected Life [h]
<b>9G0912G101</b>	12	7.0 to 13.8	1.1	13.2	5,000	3.10 110	150 0.602	50	-20 to +60	40,000/60°C
<b>9G0912H101</b>			0.58	6.96	4,000	2.54 90	100 0.402	43		
<b>9G0924G101</b>	24	20.4 to 27.6	0.55	13.2	5,000	3.10 110	150 0.602	50		
<b>9G0924H101</b>			0.3	7.2	4,000	2.54 90	100 0.402	43		
<b>9G0948J101</b>	48	40.8 to 55.2	0.32	15.36	5,500	3.41 120.49	178 0.715	55	-20 to +70	
<b>9G0948G101</b>			0.27	12.96	5,000	3.10 110	150 0.602	50	-20 to +60	
<b>9G0948H101</b>			0.16	7.68	4,000	2.54 90	100 0.402	43		

Other sensor specifications are available as options. Please refer to the index (pp. 502 to 503).

## Dimensions (unit: mm) (With ribs)



## Reference Dimensions of Mounting Holes and Vent Opening (unit: mm)

