



Chipsmall Limited consists of a professional team with an average of over 10 year of expertise in the distribution of electronic components. Based in Hongkong, we have already established firm and mutual-benefit business relationships with customers from,Europe,America and south Asia,supplying obsolete and hard-to-find components to meet their specific needs.

With the principle of “Quality Parts,Customers Priority,Honest Operation,and Considerate Service”,our business mainly focus on the distribution of electronic components. Line cards we deal with include Microchip,ALPS,ROHM,Xilinx,Pulse,ON,Everlight and Freescale. Main products comprise IC,Modules,Potentiometer,IC Socket,Relay,Connector.Our parts cover such applications as commercial,industrial, and automotives areas.

We are looking forward to setting up business relationship with you and hope to provide you with the best service and solution. Let us make a better world for our industry!



Contact us

Tel: +86-755-8981 8866 Fax: +86-755-8427 6832

Email & Skype: info@chipsmall.com Web: www.chipsmall.com

Address: A1208, Overseas Decoration Building, #122 Zhenhua RD., Futian, Shenzhen, China



60mm sq.

San Ace 60



General Specifications

- Material Frame: Plastics (Flammability: UL94V-0),
Impeller: Plastics (Flammability: UL94V-0)
- Expected Life Refer to specifications (L10: Survival rate: 90% at 60°C ,
rated voltage, and continuously run in a free air state)
- Lead Wire ⊕red ⊖black (Sensor) yellow (Control) brown
- Storage Temperature -30°C to +70°C (Non-condensing)

60×60×38mm (Mass : 130g) **9GA type** **Low Power Consumption Fan**



Specifications

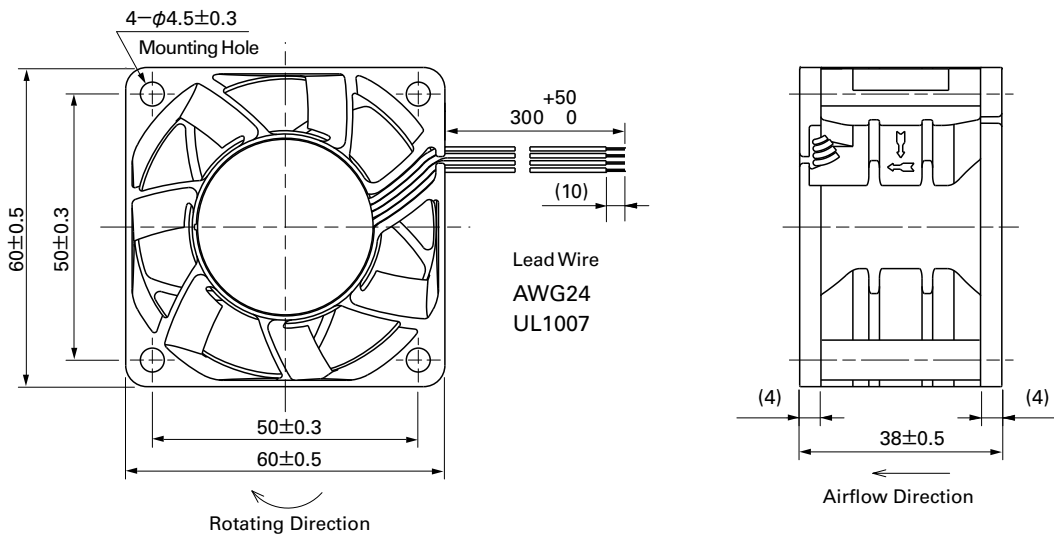
The following nos. **have PWM controls, pulse sensors, and ribs.** For ribless, append "1" to the model no.

Model No.	Rated Voltage [V]	Operating Voltage Range [V]	PWM duty cycle ^{*)} [%]	Rated Current [A]	Rated Input [W]	Rated Speed [min ⁻¹]	Max. Airflow [m ³ /min] [CFM]	Max. Static Pressure [Pa] [InchH ₂ O]	SPL [dB(A)]	Operating Temperature [°C]	Expected Life [h]	
9GA0612P1J03	12	10.8 to 12.6	100	1.50	18.00	17,500	1.75 62	820 3.3	63	-20 to +60	40,000/60°C (70,000/40°C)	
			20	0.10	1.20	4,000	0.40 14	43 0.17	24			
9GA0612P1K03		10.8 to 13.2	100	0.95	11.40	14,800	1.50 53	600 2.4	59	-20 to +70		
			20	0.10	1.20	4,000	0.40 14	43 0.17	24			
9GA0612P1H03		10.8 to 13.2	10.8 to 13.2	100	0.55	6.60	11,500	1.15 40	375 1.5	52		-20 to +60
				20	0.06	0.72	2,600	0.27 9.5	20 0.08	19		
9GA0612P1K60	10.8 to 13.2	10.8 to 13.2	100	0.95	11.40	14,800	1.50 53	675 2.7	59	-20 to +60		
			0	0.05	0.60	1,480	0.134 4.7	8.3 0.03	16			
9GA0624P1J03	24	21.6 to 25.2	100	0.75	18.00	17,500	1.75 62	820 3.3	63	-20 to +60		
			20	0.10	2.40	6,200	0.63 22	104 0.42	35			
9GA0624P1K03		21.6 to 26.4	100	0.5	12	14,800	1.5 53.0	600 2.4	59	-20 to +70		
			20	0.06	1.44	5,000	0.5 17.7	70 0.28	28			

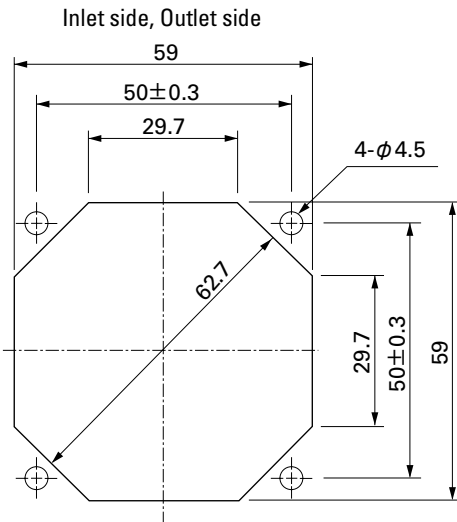
Note: 9GA0612P1J03, 9GA0612P1K03, 9GA0612P1H03, 9GA0624P1J03, 9GA0624P1K03 does not rotate when PWM duty cycle is 0%. *PWM Frequency : 25kHz

Other sensor specifications are available as options. Please refer to the index (p. 505).

Dimensions (unit: mm) (With ribs)



Reference Dimensions of Mounting Holes and Vent Opening (unit: mm)

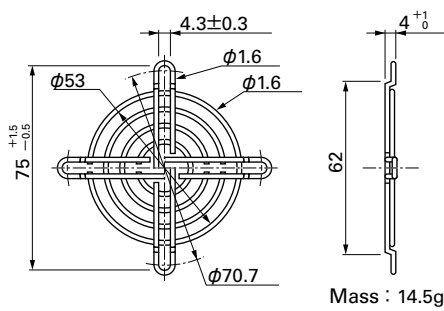


Options (unit: mm)

Finger Guards

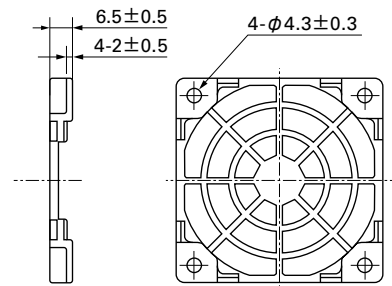
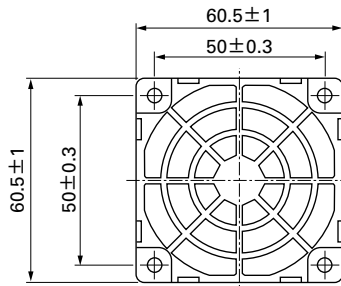
Model : 109-139E Surface treatment : Nickel-chrome plating (silver) Color : 109-139H : Cation electropainting (black)

Inlet side, Outlet side



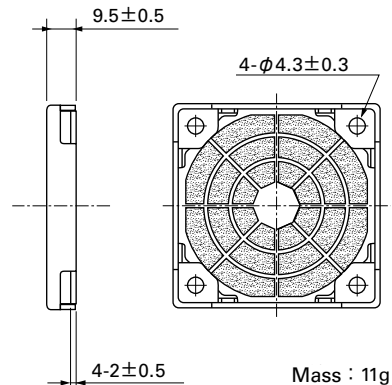
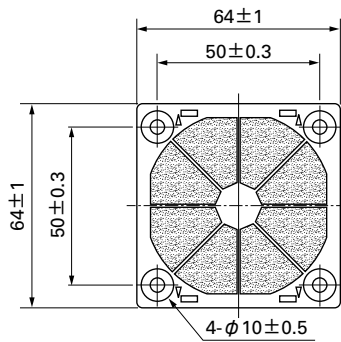
Resin Finger Guards

Model : 109-1003G



Resin Filter Kits

Model : 109-1003F13 (13PPI), 109-1003F20 (20PPI)
: 109-1003F30 (30PPI), 109-1003F40 (40PPI)



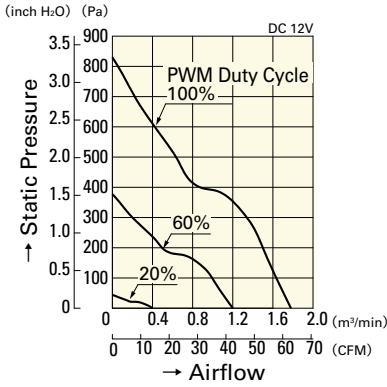
60mm sq.

San Ace 60

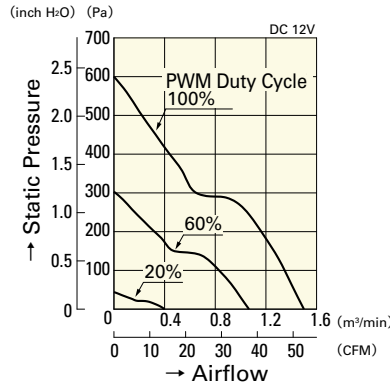
60×60×38mm [Mass : 130g]

Airflow - Static Pressure Characteristics

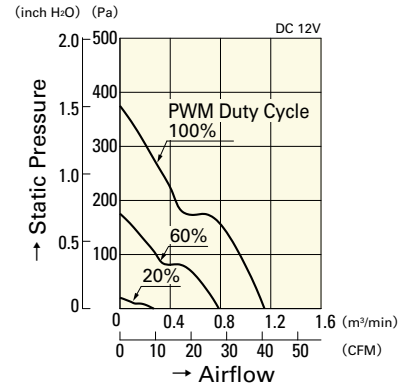
PWM Duty Cycle



9GA0612P1J03

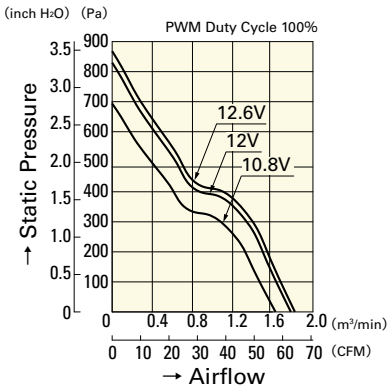


9GA0612P1K03

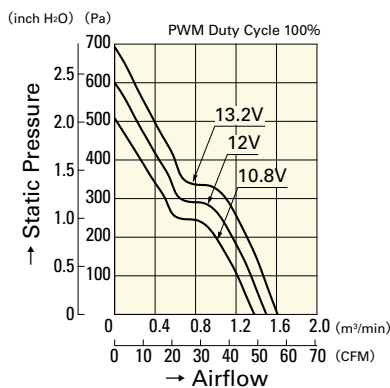


9GA0612P1H03

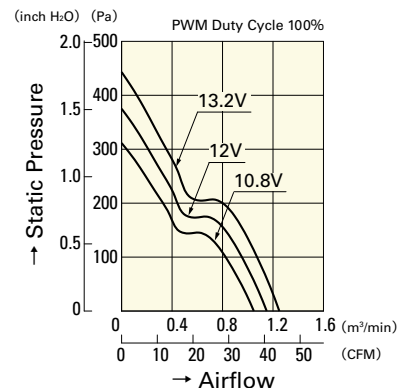
Operating Voltage Range



9GA0612P1J03

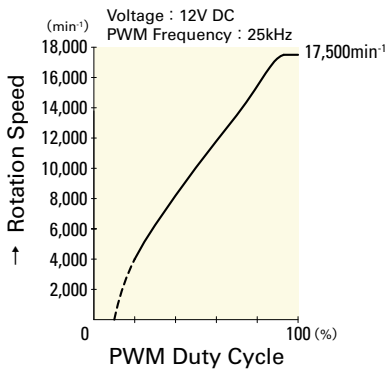


9GA0612P1K03

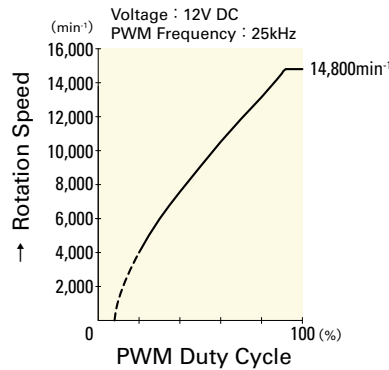


9GA0612P1H03

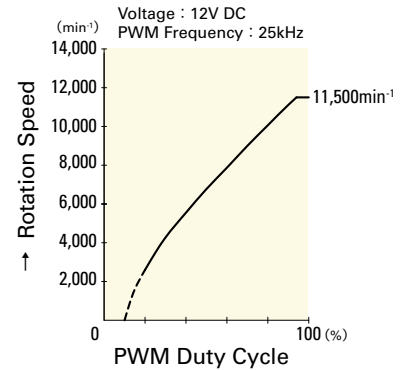
PWM Duty - Speed Characteristics Example



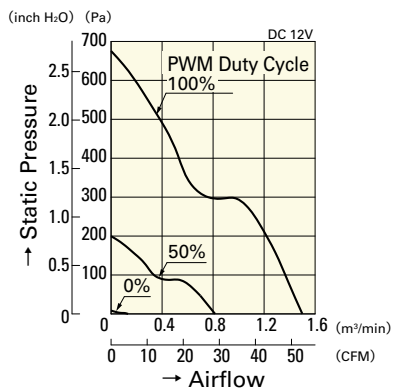
9GA0612P1J03



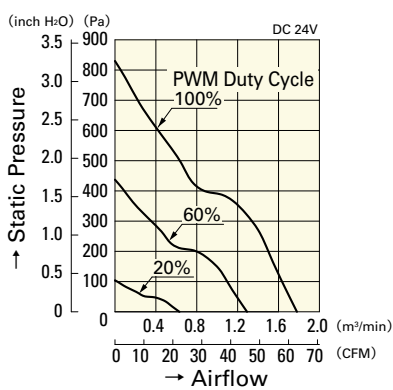
9GA0612P1K03



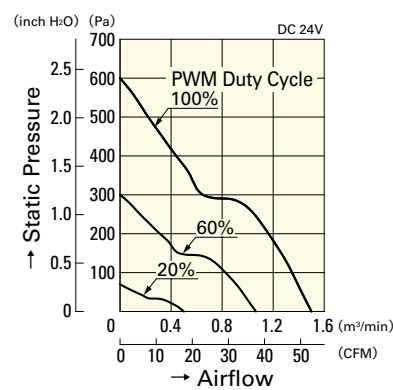
9GA0612P1H03



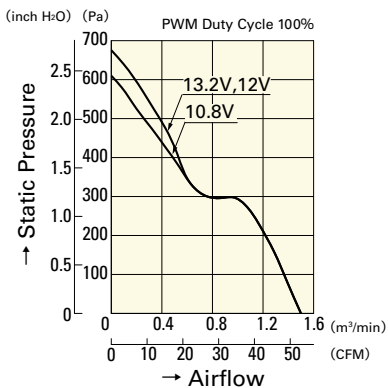
9GA0612P1K60



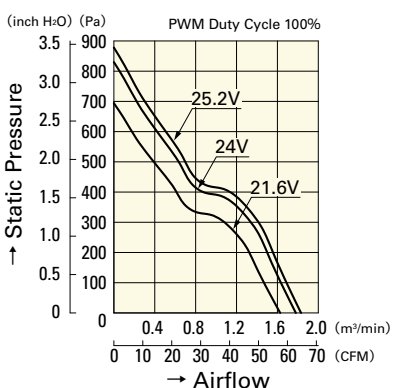
9GA0624P1J03



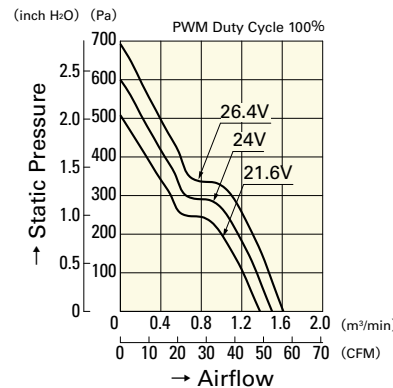
9GA0624P1K03



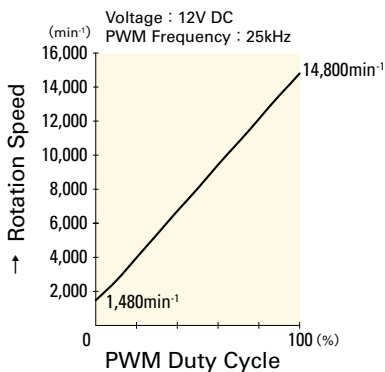
9GA0612P1K60



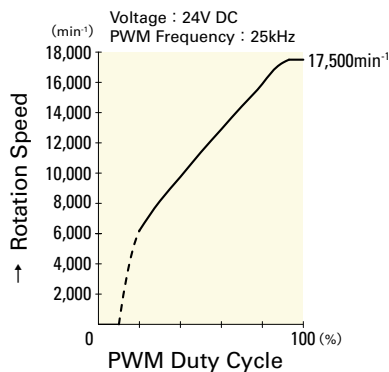
9GA0624P1J03



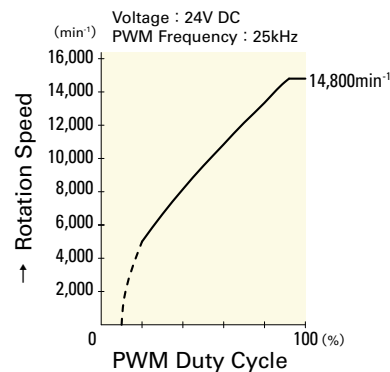
9GA0624P1K03



9GA0612P1K60



9GA0624P1J03



9GA0624P1K03