



Chipsmall Limited consists of a professional team with an average of over 10 year of expertise in the distribution of electronic components. Based in Hongkong, we have already established firm and mutual-benefit business relationships with customers from,Europe,America and south Asia,supplying obsolete and hard-to-find components to meet their specific needs.

With the principle of "Quality Parts,Customers Priority,Honest Operation,and Considerate Service",our business mainly focus on the distribution of electronic components. Line cards we deal with include Microchip,ALPS,ROHM,Xilinx,Pulse,ON,Everlight and Freescale. Main products comprise IC,Modules,Potentiometer,IC Socket,Relay,Connector.Our parts cover such applications as commercial,industrial, and automotives areas.

We are looking forward to setting up business relationship with you and hope to provide you with the best service and solution. Let us make a better world for our industry!



## Contact us

Tel: +86-755-8981 8866 Fax: +86-755-8427 6832

Email & Skype: info@chipsmall.com Web: www.chipsmall.com

Address: A1208, Overseas Decoration Building, #122 Zhenhua RD., Futian, Shenzhen, China



**92**mm sq.

# San Ace 92



## General Specifications

- Material ..... Frame: Plastics (Flammability: UL94V-0),  
Impeller: Plastics (Flammability: UL94V-0)
- Expected Life ..... Refer to specifications (L10: Survival rate: 90% at 60°C ,  
rated voltage, and continuously run in a free air state)
- Lead Wire ..... ⊕red ⊖black (Sensor) yellow (Control) brown
- Storage Temperature ..... -30°C to +70°C (Non-condensing)

**92×92×38mm** (Mass : 240g) **9GA type** **Low Power Consumption Fan**



**Specifications** The following nos. **have PWM controls, pulse sensors, and ribs.** For ribless, append "1" to the model no.

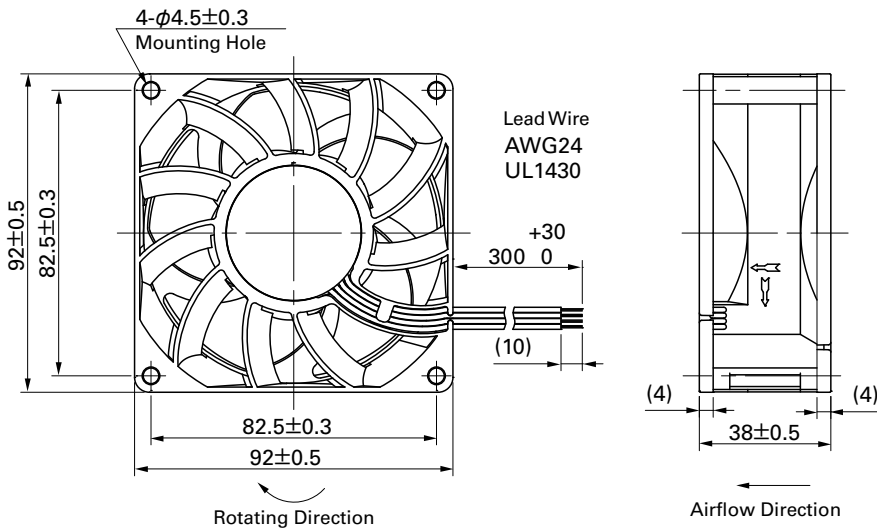
Model No.	Rated Voltage [V]	Operating Voltage Range [V]	PWM duty cycle* [%]	Rated Current [A]	Rated Input [W]	Rated Speed [min <sup>-1</sup> ]	Max. Airflow [m <sup>3</sup> /min] [CFM]	Max. Static Pressure [Pa] [inchH <sub>2</sub> O]	SPL [dB(A)]	Operating Temperature [°C]	Expected Life [h]
<b>9GA0912P1H03</b>	12	10.2 to 13.8	100	2.10	25.2	9,700	4.00 141	500 2.01	63	-20 to +70	40,000/60°C (70,000/40°C)
			0	0.16	1.92	2,500	0.97 34.3	33 0.13	29		
<b>9GA0924P1H01</b>	24	20.4 to 27.6	100	1.1	26.4	9,700	4.00 141	500 2.01	63	-10 to +70	
			0	0.07	1.68	2,500	0.97 34.3	33 0.13	29		
<b>9GA0948P1H03</b> (Note)	48	40.8 to 55.2	100	0.55	26.4	9,700	4.00 141	500 2.01	63	-20 to +70	

Note: Rated voltage 48V fans do not rotate when PWM duty cycle is 0%.

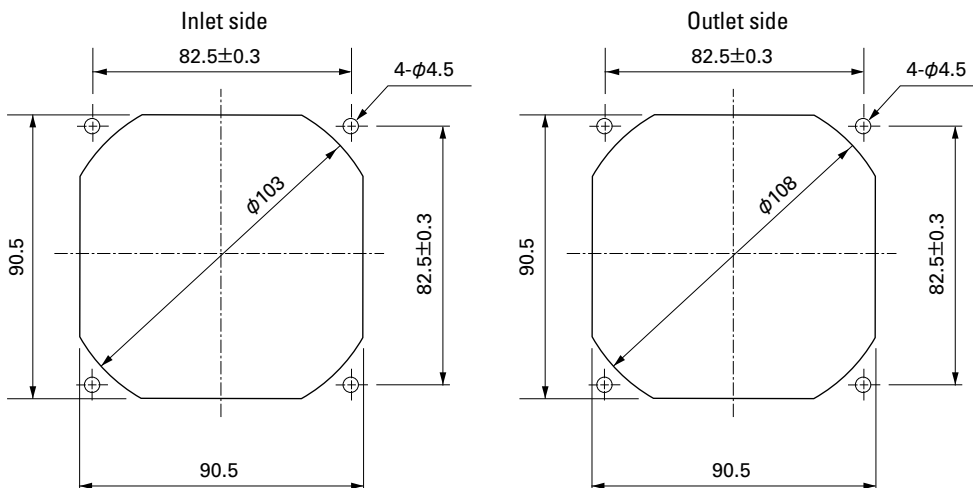
※PWM Frequency : 25kHz

Other sensor specifications are available as options. Please refer to the index (p. 506).

## Dimensions (unit: mm) (With ribs)



## Reference Dimensions of Mounting Holes and Vent Opening (unit: mm)

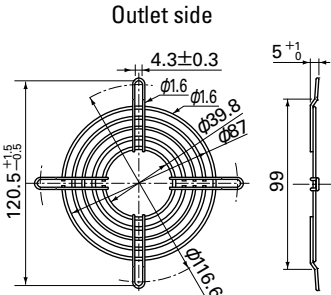




Options (unit: mm)

Finger Guards

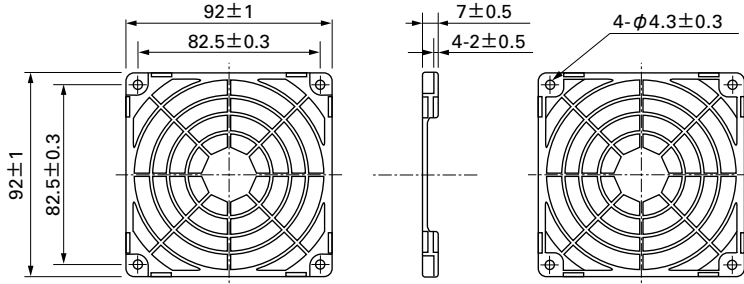
Model : 109-099C Color : Nickel-chrome plating (silver)



Mass : 22g

Resin Finger Guards

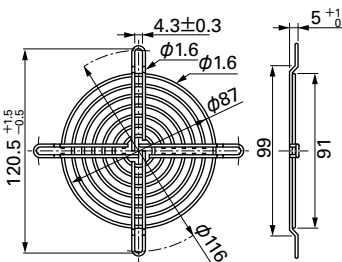
Model : 109-1001G



Mass : 12g

Model : 109-099E Color : Nickel-chrome plating (silver)  
Model : 109-099H Color : Cation electropainting (black)

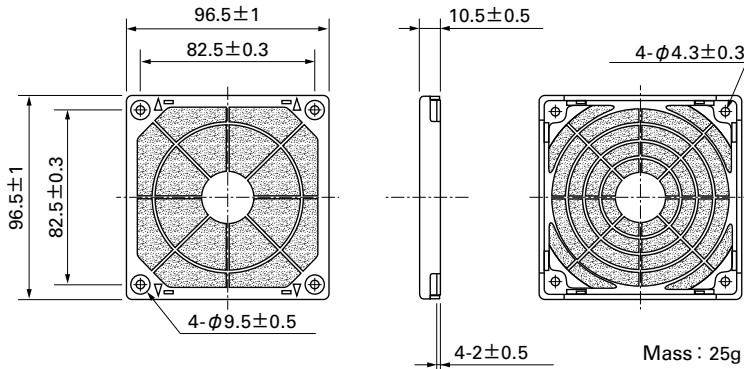
Inlet side, Outlet side



Mass : 29g

Resin Filter Kits

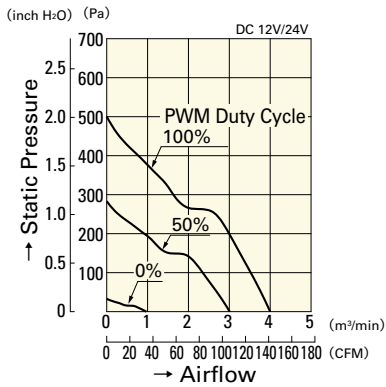
Model : 109-1001F13 (13PPI), 109-1001F20 (20PPI)  
Model : 109-1001F30 (30PPI), 109-1001F40 (40PPI)



Mass : 25g

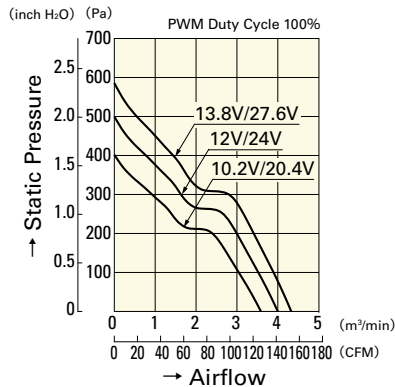
Airflow - Static Pressure Characteristics

PWM Duty Cycle



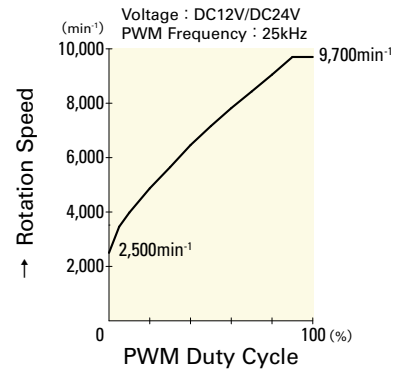
9GA0912P1H03  
9GA0924P1H01

Operating Voltage Range

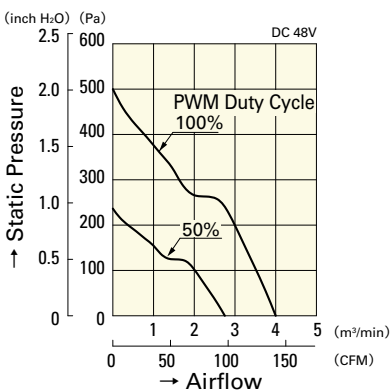


9GA0912P1H03  
9GA0924P1H01

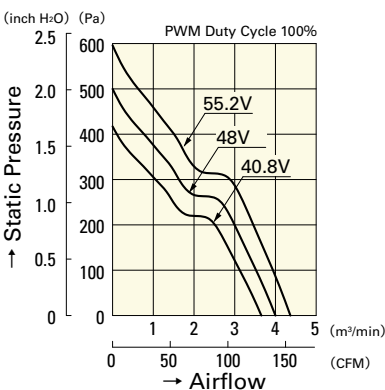
PWM Duty - Speed Characteristics Example



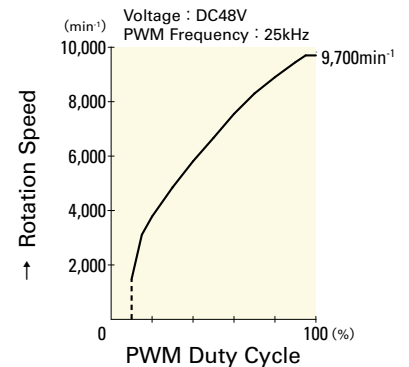
9GA0912P1H03  
9GA0924P1H01



9GA0948P1H03



9GA0948P1H03



9GA0948P1H03