



Chipsmall Limited consists of a professional team with an average of over 10 year of expertise in the distribution of electronic components. Based in Hongkong, we have already established firm and mutual-benefit business relationships with customers from,Europe,America and south Asia,supplying obsolete and hard-to-find components to meet their specific needs.

With the principle of "Quality Parts,Customers Priority,Honest Operation,and Considerate Service",our business mainly focus on the distribution of electronic components. Line cards we deal with include Microchip,ALPS,ROHM,Xilinx,Pulse,ON,Everlight and Freescale. Main products comprise IC,Modules,Potentiometer,IC Socket,Relay,Connector.Our parts cover such applications as commercial,industrial, and automotives areas.

We are looking forward to setting up business relationship with you and hope to provide you with the best service and solution. Let us make a better world for our industry!



Contact us

Tel: +86-755-8981 8866 Fax: +86-755-8427 6832

Email & Skype: info@chipsmall.com Web: www.chipsmall.com

Address: A1208, Overseas Decoration Building, #122 Zhenhua RD., Futian, Shenzhen, China



92mm sq.

San Ace 92



General Specifications

- Material Frame: Plastics (Flammability: UL94V-0),
Impeller: Plastics (Flammability: UL94V-0)
- Expected Life Refer to specifications (L10:Survival rate:90% at 60°C ,
rated voltage, and continuously run in a free air state)
- Lead Wire ⊕red ⊖black (Sensor) yellow (Control) brown
- Storage Temperature -30°C to +70°C (Non-condensing)

92×92×25mm (Mass : 125g) **9GA type** **Low Power Consumption Fan**



Specifications

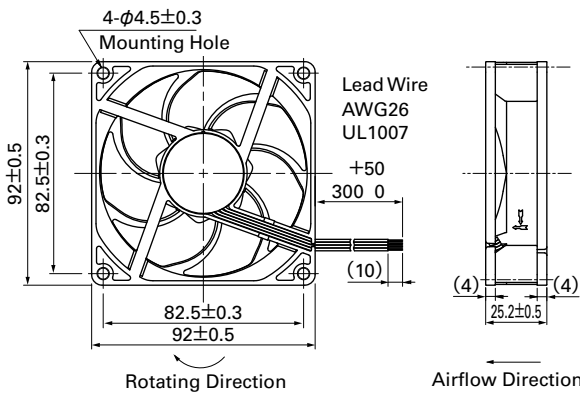
The following nos. **have PWM controls, pulse sensors, and ribs.** For ribless, append "1" to the model no.

Model No.	Rated Voltage [V]	Operating Voltage Range [V]	PWM duty cycle※ [%]	Rated Current [A]	Rated Input [W]	Rated Speed [min ⁻¹]	Max. Airflow [m ³ /min] [CFM]	Max. Static Pressure [Pa] [inchH ₂ O]	SPL [dB(A)]	Operating Temperature [°C]	Expected Life [h]
9GA0912P4J03	12	10.2 to 13.8	100	0.39	4.68	5,000	2.20 77.7	105 0.42	43	-20 to +70	60,000/60°C
			0	0.06	0.72	1,500	0.65 23.3	9.4 0.04	14		
9GA0912P4G03			100	0.28	3.36	4,400	1.93 68.2	81 0.33	39		
			0	0.06	0.72	1,500	0.65 23.3	9.4 0.04	14		
9GA0912P4S03			100	0.2	2.4	3,800	1.67 59.0	60.6 0.24	35		
			0	0.06	0.72	1,500	0.65 23.3	9.4 0.04	14		
9GA0924P4J03	24	20.4 to 27.6	100	0.2	4.80	5,000	2.20 77.7	105 0.42	43		
			0	0.04	0.96	1,500	0.65 23.3	9.4 0.04	14		
9GA0924P4G03			100	0.15	3.60	4,400	1.93 68.2	81 0.33	39		
			0	0.04	0.96	1,500	0.65 23.3	9.4 0.04	14		
9GA0924P4S03			100	0.12	2.88	3,800	1.67 59.0	60.6 0.24	35		
			0	0.04	0.96	1,500	0.65 23.3	9.4 0.04	14		

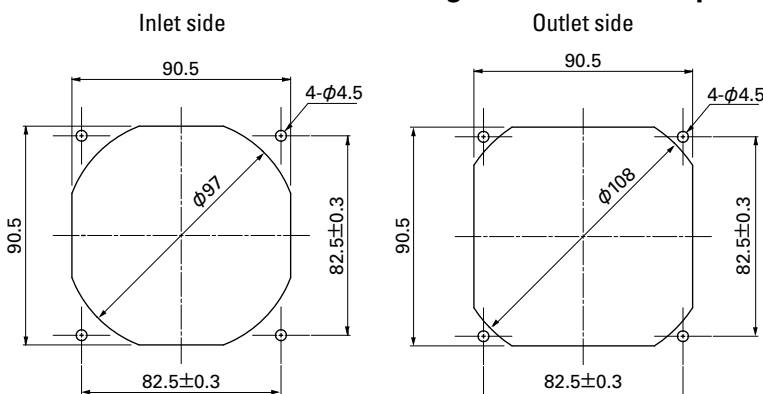
※PWM Frequency : 25kHz

Other sensor specifications are available as options. Please refer to the index (p. 506).

Dimensions (unit: mm) (With ribs)



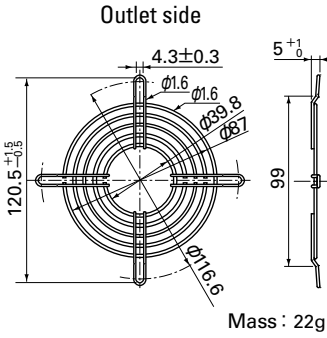
Reference Dimensions of Mounting Holes and Vent Opening (unit: mm)



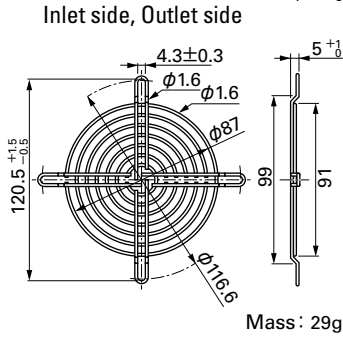
Options (unit: mm)

Finger Guards

Model : 109-099C Surface treatment : Nickel-chrome plating (silver) Color (silver)

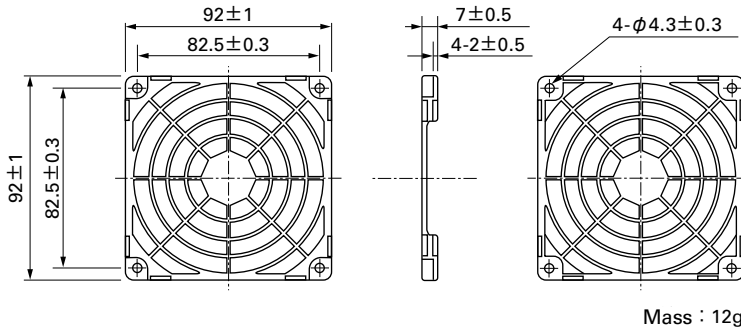


Model : 109-099E Surface treatment : Nickel-chrome plating (silver) Color (silver)
 : 109-099H : Cation electropainting (black)



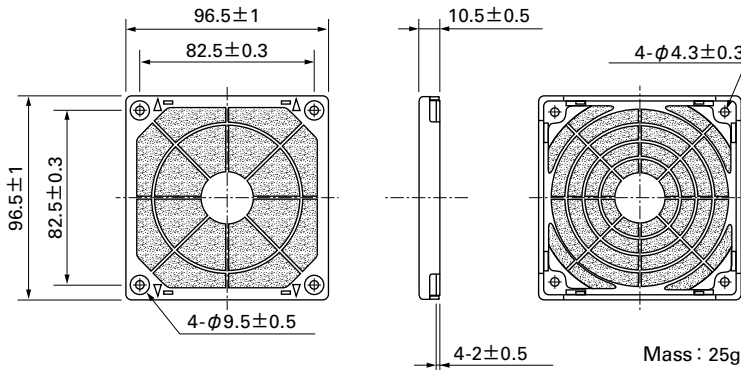
Resin Finger Guards

Model : 109-1001G



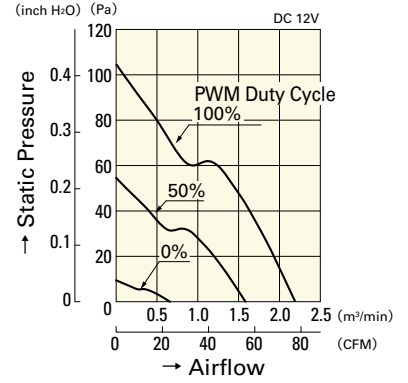
Resin Filter Kits

Model : 109-1001F13 (13PPI), 109-1001F20 (20PPI)
 : 109-1001F30 (30PPI), 109-1001F40 (40PPI)



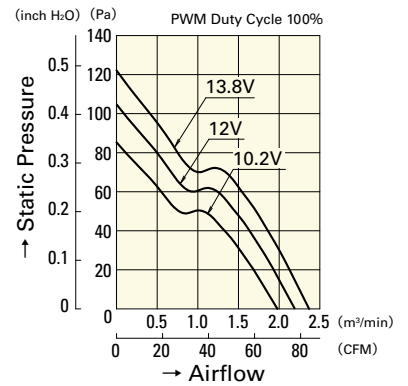
Airflow - Static Pressure Characteristics

PWM Duty Cycle



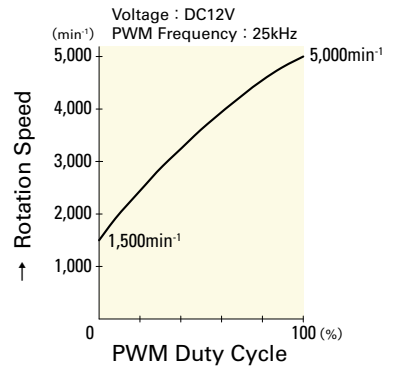
9GA0912P4J03

Operating Voltage Range



9GA0912P4J03

PWM Duty - Speed Characteristics Example



9GA0912P4J03

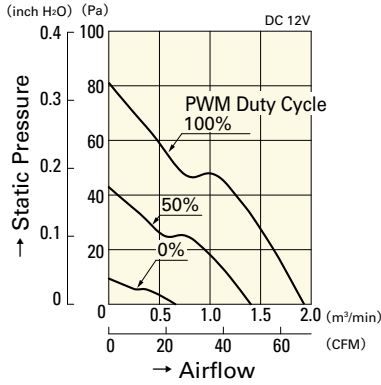
92mm sq.

San Ace 92

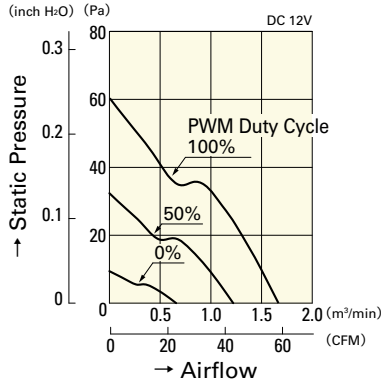
92×92×25mm [Mass : 125g]

Airflow - Static Pressure Characteristics

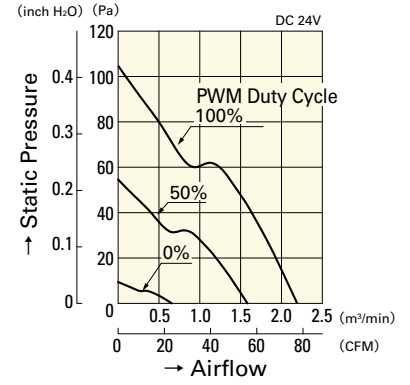
PWM Duty Cycle



9GA0912P4G03

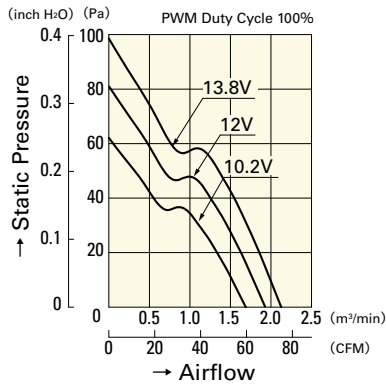


9GA0912P4S03

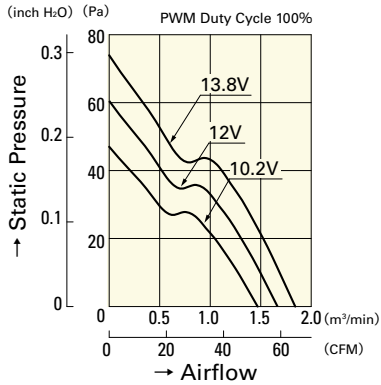


9GA0924P4J03

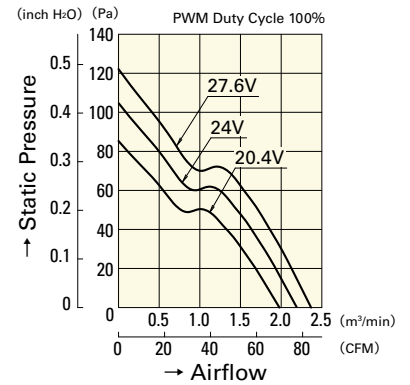
Operating Voltage Range



9GA0912P4G03

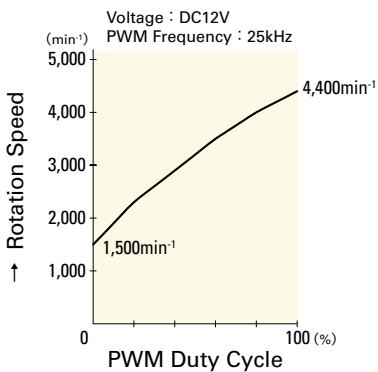


9GA0912P4S03

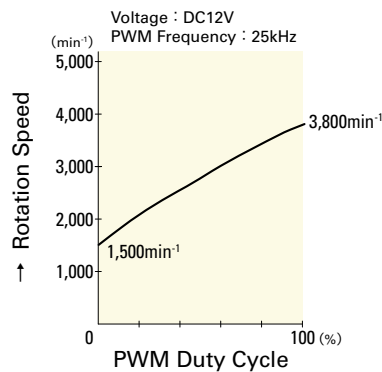


9GA0924P4J03

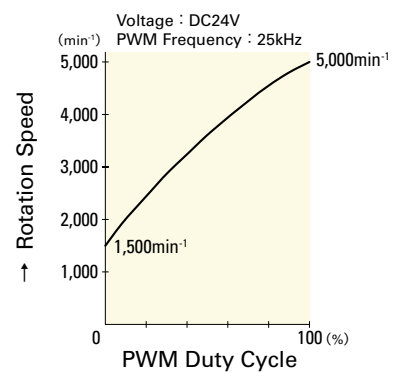
PWM Duty - Speed Characteristics Example



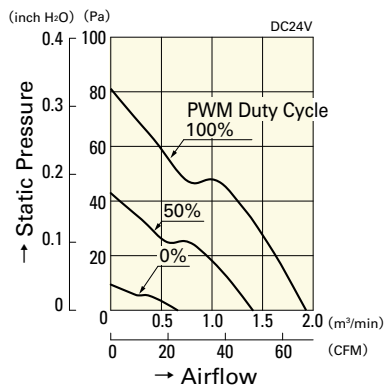
9GA0912P4G03



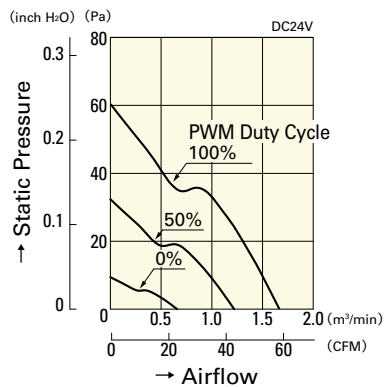
9GA0912P4S03



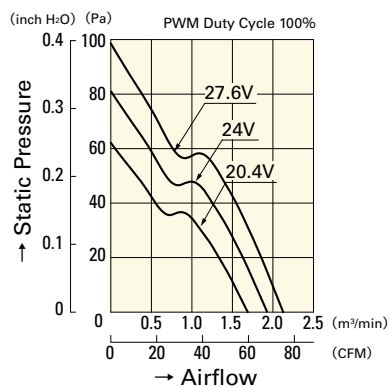
9GA0924P4J03



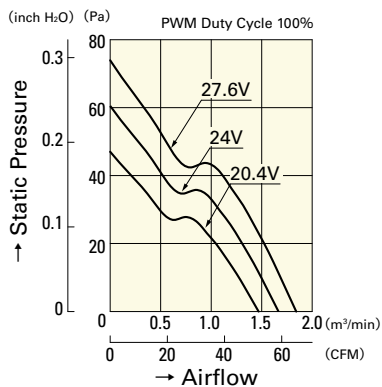
9GA0924P4G03



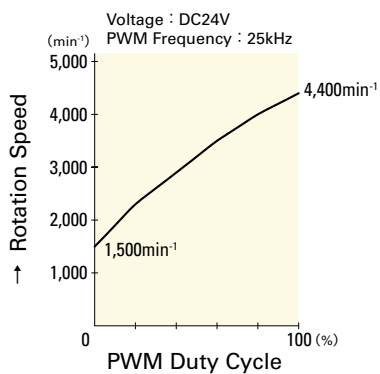
9GA0924P4S03



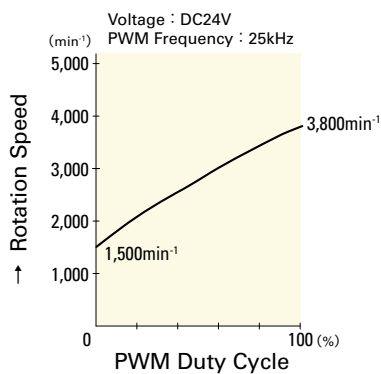
9GA0924P4G03



9GA0924P4S03



9GA0924P4G03



9GA0924P4S03