



Chipsmall Limited consists of a professional team with an average of over 10 year of expertise in the distribution of electronic components. Based in Hongkong, we have already established firm and mutual-benefit business relationships with customers from,Europe,America and south Asia,supplying obsolete and hard-to-find components to meet their specific needs.

With the principle of “Quality Parts,Customers Priority,Honest Operation,and Considerate Service”,our business mainly focus on the distribution of electronic components. Line cards we deal with include Microchip,ALPS,ROHM,Xilinx,Pulse,ON,Everlight and Freescale. Main products comprise IC,Modules,Potentiometer,IC Socket,Relay,Connector.Our parts cover such applications as commercial,industrial, and automotives areas.

We are looking forward to setting up business relationship with you and hope to provide you with the best service and solution. Let us make a better world for our industry!



## Contact us

Tel: +86-755-8981 8866 Fax: +86-755-8427 6832

Email & Skype: info@chipsmall.com Web: www.chipsmall.com

Address: A1208, Overseas Decoration Building, #122 Zhenhua RD., Futian, Shenzhen, China



**92**mm sq.

# San Ace 92



## General Specifications

- Material ..... Frame: Plastics (Flammability: UL94V-0),  
Impeller: Plastics (Flammability: UL94V-1)
- Expected Life ..... Refer to specifications (L10:Survival rate:90% at 60°C ,  
rated voltage, and continuously run in a free air state)
- Lead Wire ..... ⊕red ⊖black (Sensor) yellow (Control) brown
- Storage Temperature ..... -30°C to +70°C (Non-condensing)

**92×92×38mm** (Mass : 250g) **9GV type** 

## Specifications

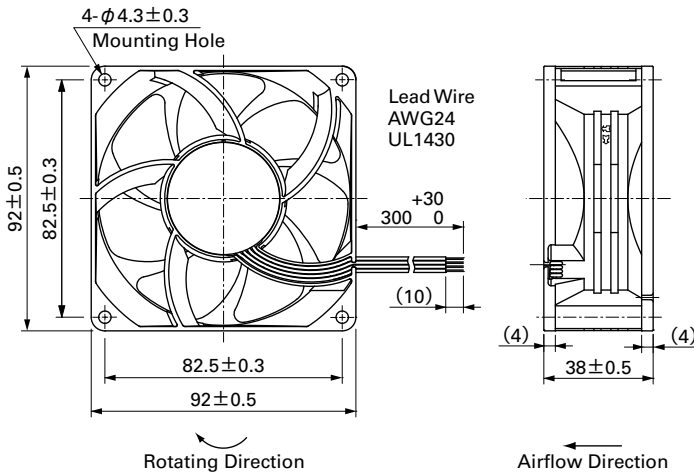
The following nos. **have PWM controls, pulse sensors, and ribs.** For ribless, append "1" to the model no.

Model No.	Rated Voltage [V]	Operating Voltage Range [V]	PWM duty cycle* [%]	Rated Current [A]	Rated Input [W]	Rated Speed [min <sup>-1</sup> ]	Max. Airflow [m <sup>3</sup> /min] [CFM]	Max. Static Pressure [Pa] [inchH <sub>2</sub> O]	SPL [dB(A)]	Operating Temperature [°C]	Expected Life [h]		
9GV0912P1G03	12	10.8 to 13.2	100	4.10	49.2	9,000	5.35 189.0	430.0 1.73	68	-20 to +70	40,000/60°C		
			0	0.33	4.0	2,900	1.72 60.8	44.6 0.18	37				
10.2 to 13.8		100	3.50	42.0	8,500	5.05 178.0	385.0 1.55	64	-10 to +70				
		0	0.29	3.5	2,700	1.60 56.5	38.8 0.16	34					
9GV0912P1F03		48	40.8 to 55.2	100	1.9	22.8	7,000	4.15 146.6	261 1.05			59	-20 to +70
				0	0.16	1.92	2,200	1.3 45.9	25.7 0.1			31	
9GV0948P1H03	100		0.82	39.4	8,500	5.05 178.0	385.0 1.55	64	-10 to +70				
			0	0.14	6.7	4,000	2.37 83.7	85.2 0.34		45			
9GV0948P1F03	100		0.48	23.04	7,000	4.15 146.6	261 1.05	59	-10 to +70				
			0	0.12	5.76	3,500	2.07 73.1	65.2 0.26		42			

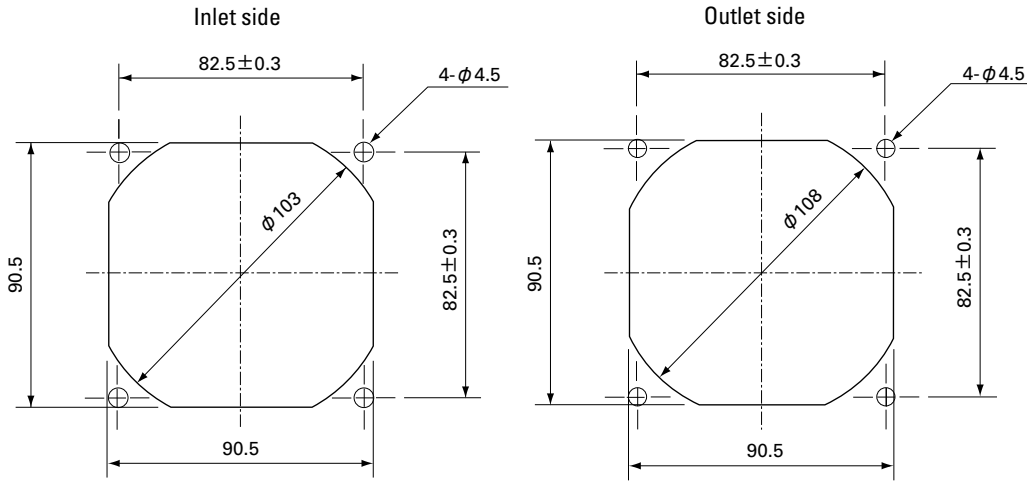
\*PWM Frequency : 25kHz

Other sensor specifications are available as options. Please refer to the index (pp. 507 to 508).

## Dimensions (unit: mm) (With ribs)



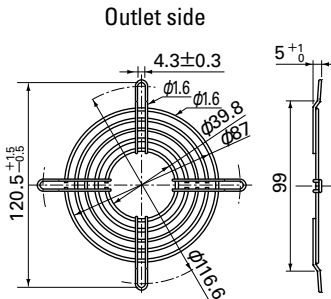
Reference Dimensions of Mounting Holes and Vent Opening (unit: mm)



Options (unit: mm)

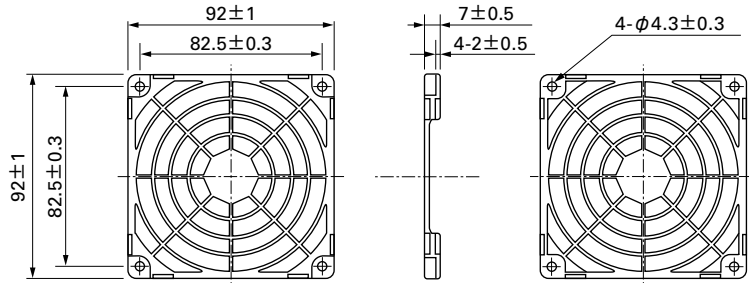
Finger Guards

Model : 109-099C Surface treatment : Nickel-chrome plating (silver) Color

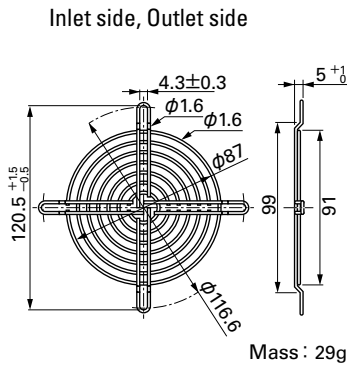


Resin Finger Guards

Model : 109-1001G

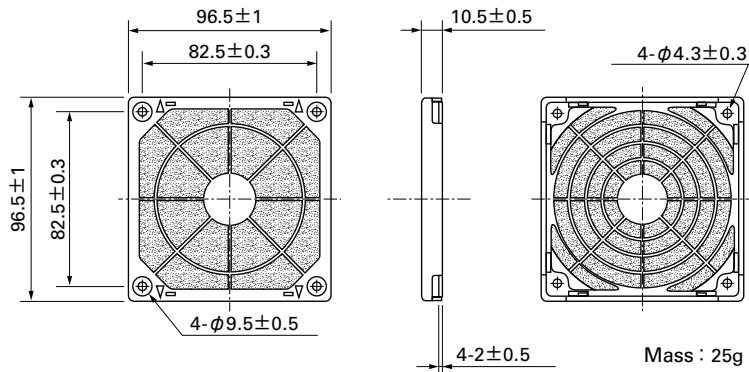


Model : 109-099E Surface treatment : Nickel-chrome plating (silver) Color  
: 109-099H : Cation electropainting (black)



Resin Filter Kits

Model : 109-1001F13 (13PPI), 109-1001F20 (20PPI)  
: 109-1001F30 (30PPI), 109-1001F40 (40PPI)





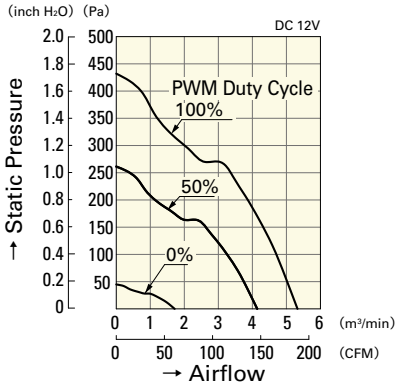
**92**mm sq.

**San Ace 92**

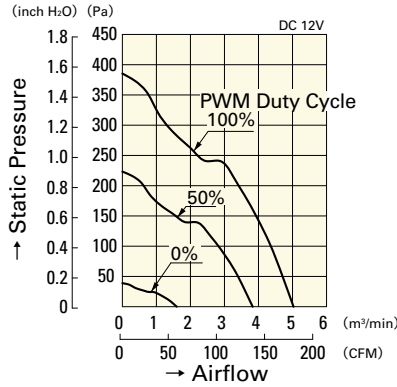
**92×92×38mm** [Mass : 250g]

**Airflow - Static Pressure Characteristics**

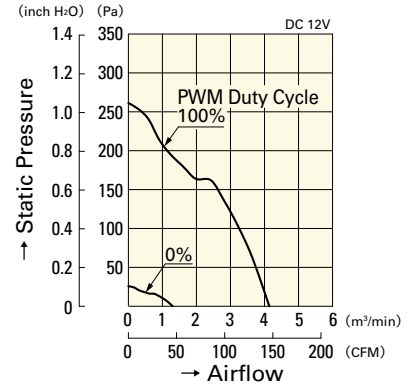
**PWM Duty Cycle**



**9GV0912P1G03**

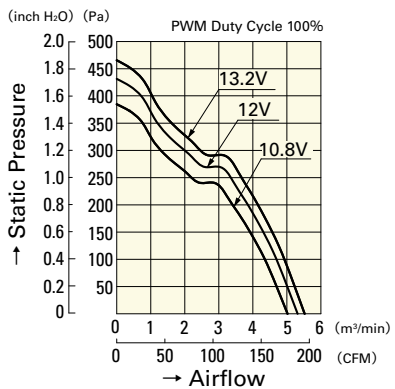


**9GV0912P1H03**

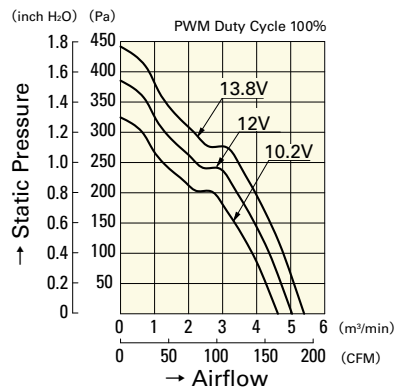


**9GV0912P1F03**

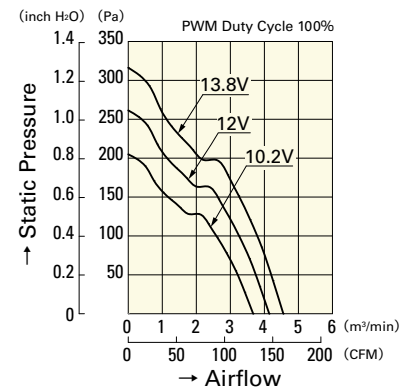
**Operating Voltage Range**



**9GV0912P1G03**

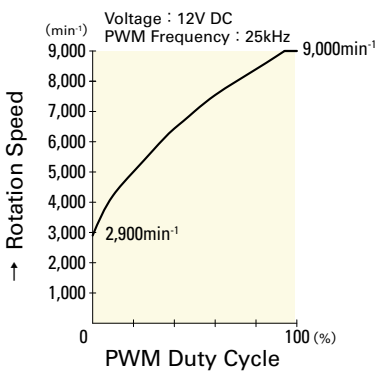


**9GV0912P1H03**

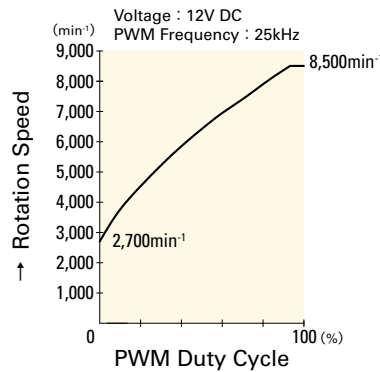


**9GV0912P1F03**

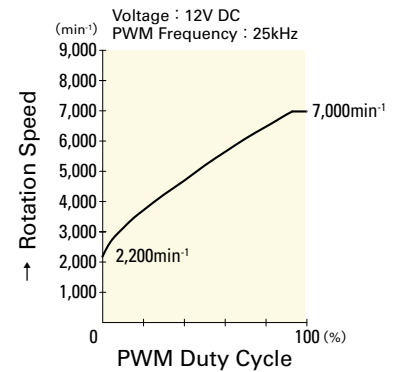
**PWM Duty - Speed Characteristics Example**



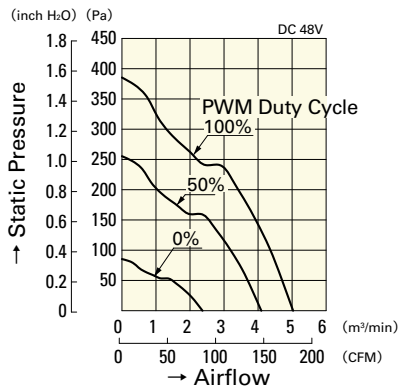
**9GV0912P1G03**



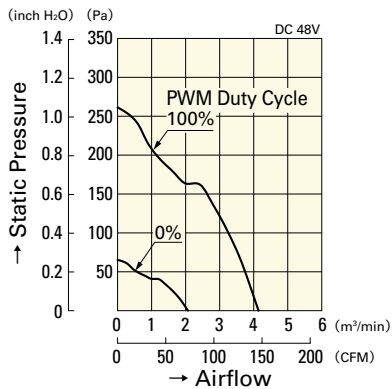
**9GV0912P1H03**



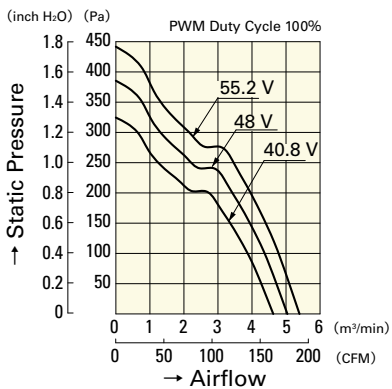
**9GV0912P1F03**



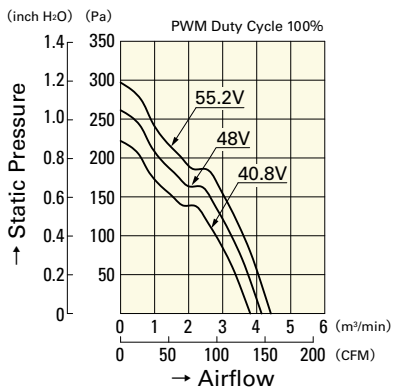
**9GV0948P1H03**



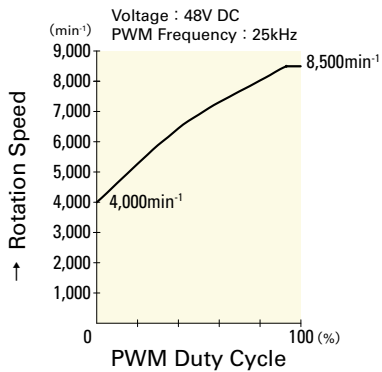
**9GV0948P1F03**



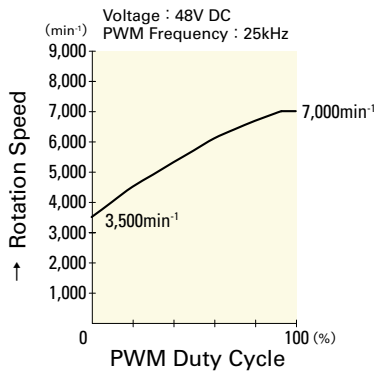
**9GV0948P1H03**



**9GV0948P1F03**



**9GV0948P1H03**



**9GV0948P1F03**