



Chipsmall Limited consists of a professional team with an average of over 10 year of expertise in the distribution of electronic components. Based in Hongkong, we have already established firm and mutual-benefit business relationships with customers from,Europe,America and south Asia,supplying obsolete and hard-to-find components to meet their specific needs.

With the principle of “Quality Parts,Customers Priority,Honest Operation,and Considerate Service”,our business mainly focus on the distribution of electronic components. Line cards we deal with include Microchip,ALPS,ROHM,Xilinx,Pulse,ON,Everlight and Freescale. Main products comprise IC,Modules,Potentiometer,IC Socket,Relay,Connector.Our parts cover such applications as commercial,industrial, and automotives areas.

We are looking forward to setting up business relationship with you and hope to provide you with the best service and solution. Let us make a better world for our industry!



## Contact us

Tel: +86-755-8981 8866 Fax: +86-755-8427 6832

Email & Skype: info@chipsmall.com Web: www.chipsmall.com

Address: A1208, Overseas Decoration Building, #122 Zhenhua RD., Futian, Shenzhen, China



**92**mm sq.

# San Ace 92L



## General Specifications

- Material ..... Frame: Aluminum,  
Impeller: Plastics (Flammability: UL94V-1)
- Expected Life ..... Refer to specifications (L10:Survival rate:90% at 60°C ,  
rated voltage, and continuously run in a free air state)
- Lead Wire ..... ⊕red ⊖black (Sensor) yellow (Control) brown
- Storage Temperature ..... -30°C to +70°C (Non-condensing)

**92×92×25mm** (Mass : 150g) **9LG type** **High Airflow** ECO PRODUCTS

## Specifications

The following nos. **have PWM controls and pulse sensors.**

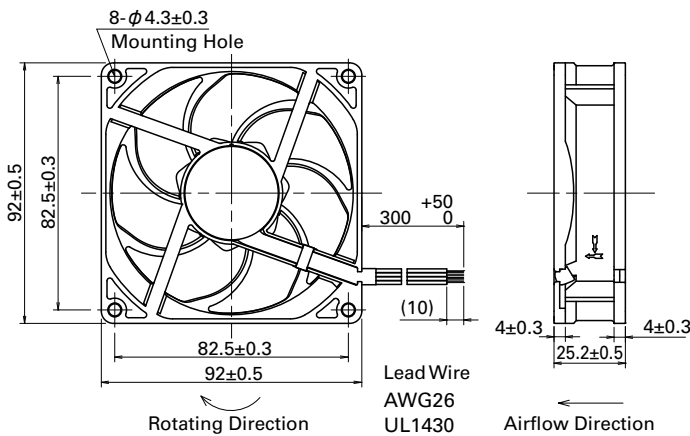
Model No.	Rated Voltage [V]	Operating Voltage Range [V]	PWM duty cycle <sup>Note 1)</sup> [%]	Rated Current [A]	Rated Input [W]	Rated Speed [min <sup>-1</sup> ]	Max. Airflow [m <sup>3</sup> /min] [CFM]	Max. Static Pressure [Pa] [inchH <sub>2</sub> O]	SPL [dB(A)]	Operating Temperature [°C]	Expected Life [h]
9LG0912P4J001	12	10.8 to 13.2	100	0.42	5.04	5,000	2.20 77.7	105 0.42	44	-20 to +70	180,000/60°C
9LG0912P4G001			100	0.30	3.60	4,400	1.93 68.2	81 0.33	40		
9LG0912P4S001			100	0.22	2.64	3,850	1.69 59.7	62.1 0.25	37		
9LG0912P4H001			100	0.15	1.80	3,150	1.38 48.7	41.6 0.17	32		
9LG0924P4J001	24	21.6 to 26.4	100	0.21	5.04	5,000	2.20 77.7	105 0.42	44		
9LG0924P4G001			100	0.15	3.60	4,400	1.93 68.2	81 0.33	40		
9LG0924P4S001			100	0.11	2.64	3,850	1.69 59.7	62.1 0.25	37		
9LG0924P4H001			100	0.07	1.68	3,150	1.38 48.7	41.6 0.17	32		

Note : Fan does not rotate when PWM duty cycle is 0%.

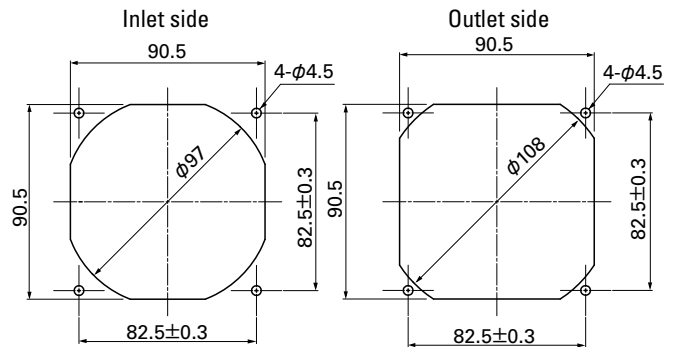
※PWM Frequency : 25kHz

Other sensor specifications are available as options. Please refer to the index (p. 509).

## Dimensions (unit: mm)



## Reference Dimensions of Mounting Holes and Vent Opening (unit: mm)

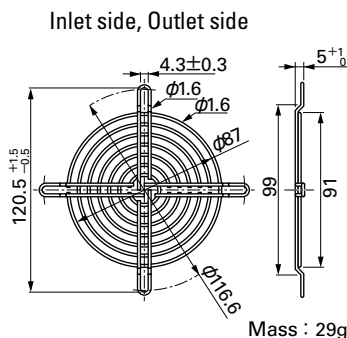
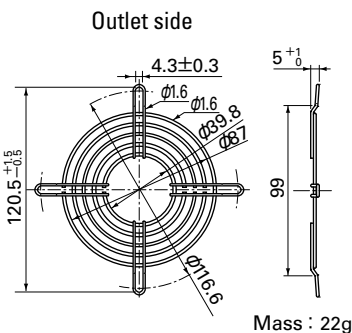


## Options (unit: mm)

### Finger Guards

Model : 109-099C Surface treatment : Nickel-chrome plating (silver) Color : Silver

Model : 109-099E Surface treatment : Nickel-chrome plating (silver) Color : Silver  
: 109-099H Surface treatment : Cation electropainting (black) Color : Black

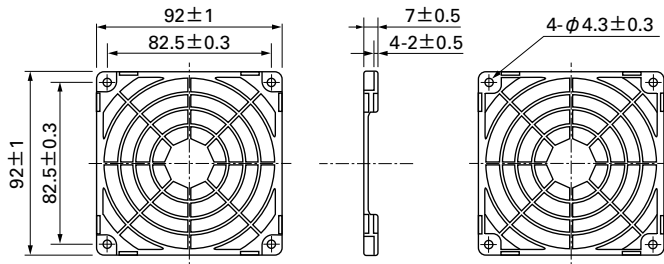




**Options (unit: mm)**

**Resin Finger Guards**

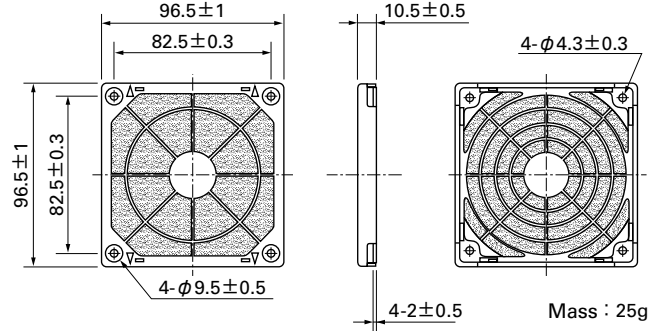
Model : 109-1001G



Mass : 12g

**Resin Filter Kits**

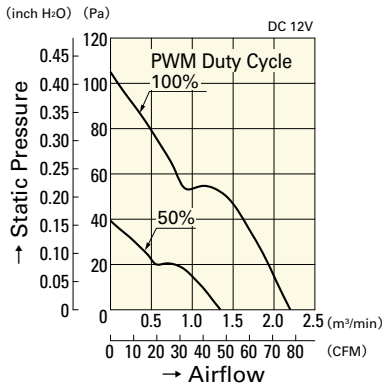
Model : 109-1001F13 (13PPI), 109-1001F20 (20PPI)  
: 109-1001F30 (30PPI), 109-1001F40 (40PPI)



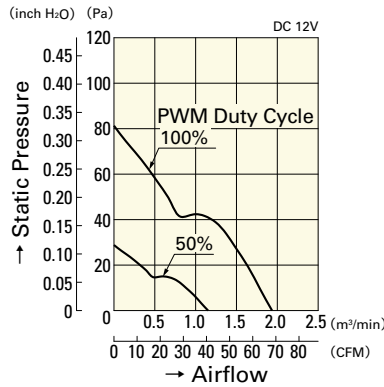
Mass : 25g

**Airflow - Static Pressure Characteristics**

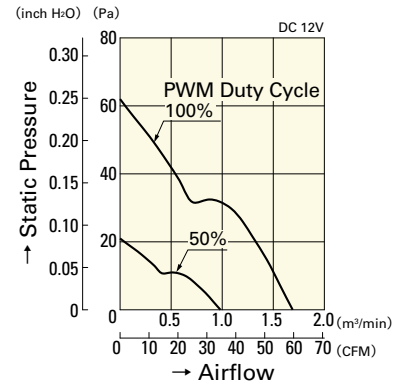
**PWM Duty Cycle**



**9LG0912P4J001**

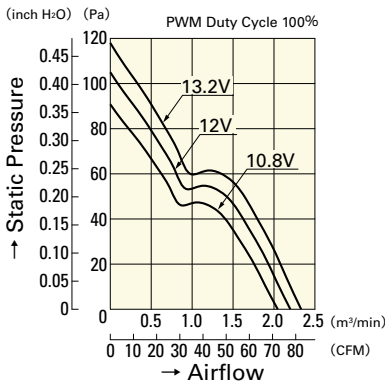


**9LG0912P4G001**

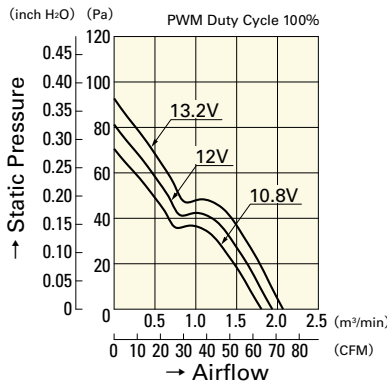


**9LG0912P4S001**

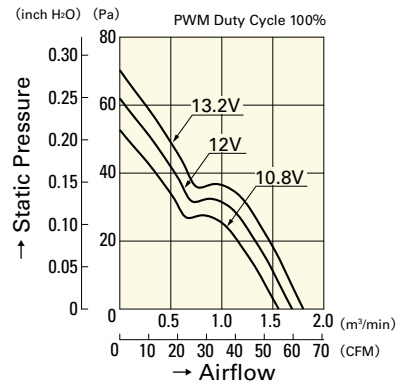
**Operating Voltage Range**



**9LG0912P4J001**

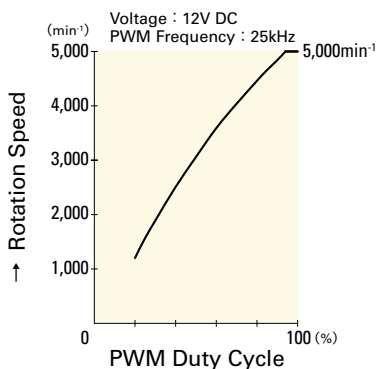


**9LG0912P4G001**

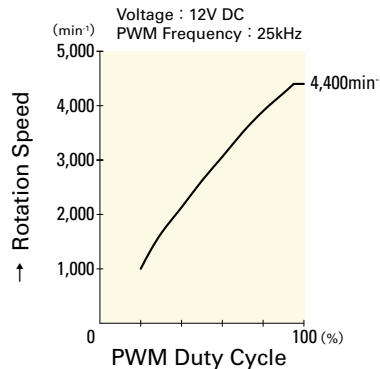


**9LG0912P4S001**

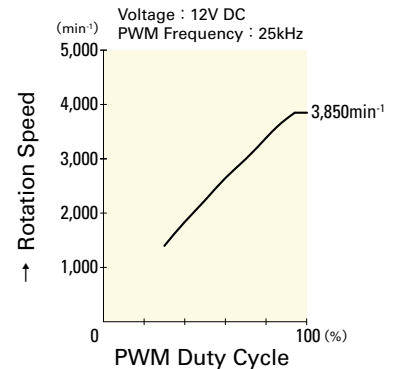
**PWM Duty - Speed Characteristics Example**



**9LG0912P4J001**



**9LG0912P4G001**



**9LG0912P4S001**

DC Long Life Fan 92mm

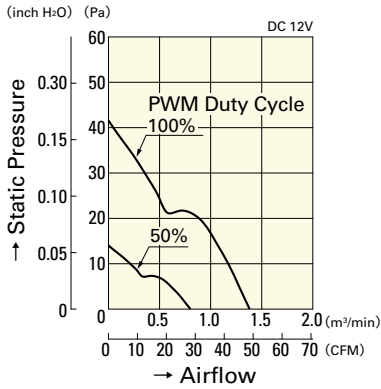
**92**mm sq.

# San Ace 92L

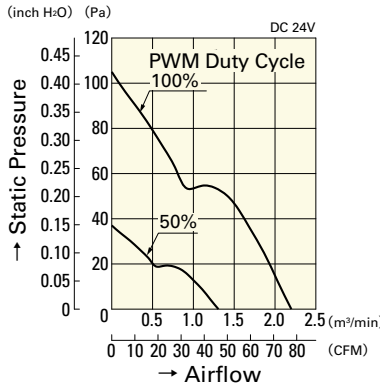
**92×92×25**mm [Mass : 150g]

## Airflow - Static Pressure Characteristics

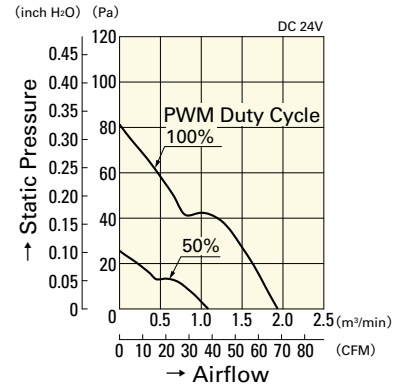
### PWM Duty Cycle



**9LG0912P4H001**

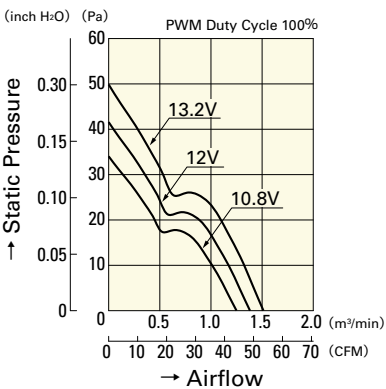


**9LG0924P4J001**

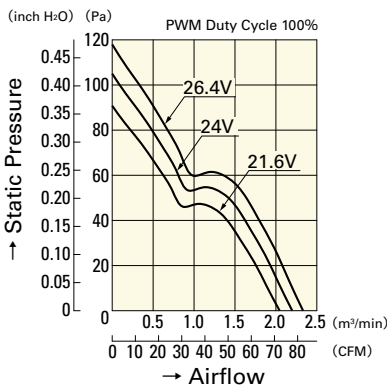


**9LG0924P4G001**

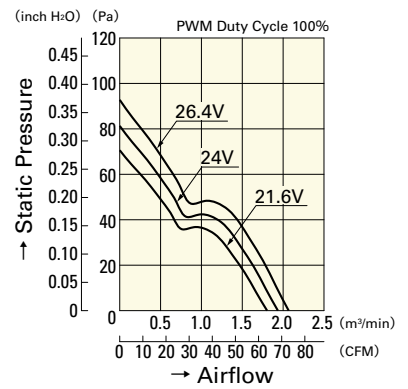
### Operating Voltage Range



**9LG0912P4H001**

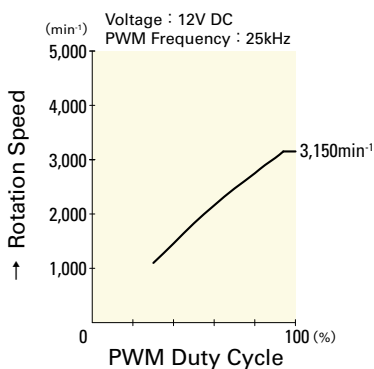


**9LG0924P4J001**

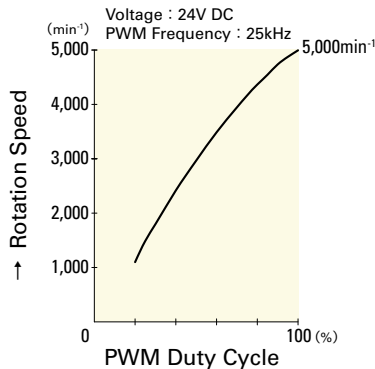


**9LG0924P4G001**

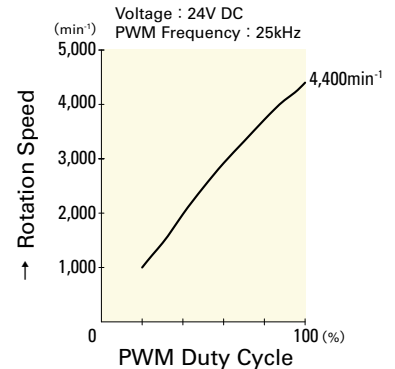
## PWM Duty - Speed Characteristics Example



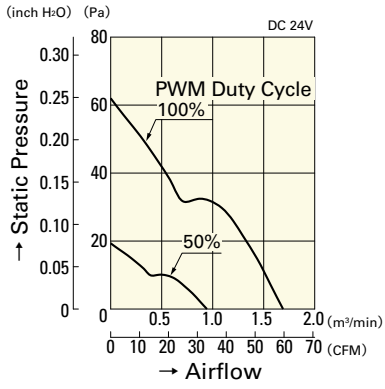
**9LG0912P4H001**



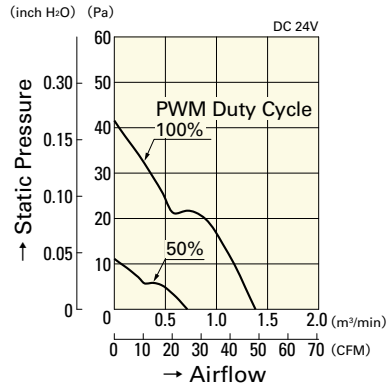
**9LG0924P4J001**



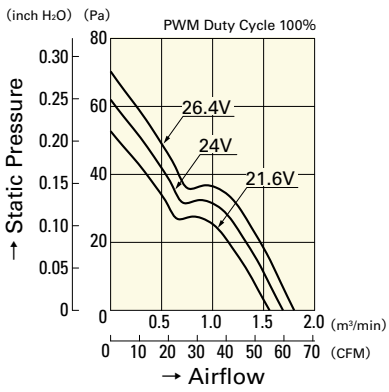
**9LG0924P4G001**



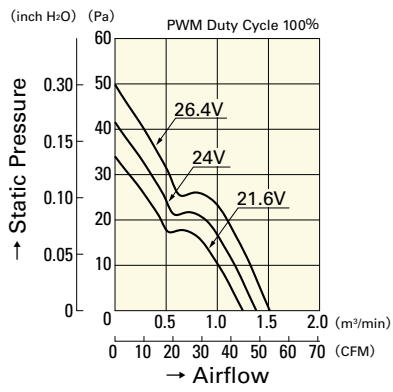
**9LG0924P4S001**



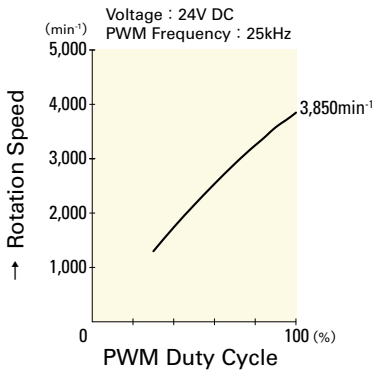
**9LG0924P4H001**



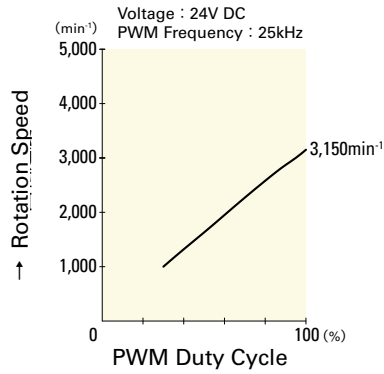
**9LG0924P4S001**



**9LG0924P4H001**



**9LG0924P4S001**



**9LG0924P4H001**