



Chipsmall Limited consists of a professional team with an average of over 10 year of expertise in the distribution of electronic components. Based in Hongkong, we have already established firm and mutual-benefit business relationships with customers from,Europe,America and south Asia,supplying obsolete and hard-to-find components to meet their specific needs.

With the principle of "Quality Parts,Customers Priority,Honest Operation,and Considerate Service",our business mainly focus on the distribution of electronic components. Line cards we deal with include Microchip,ALPS,ROHM,Xilinx,Pulse,ON,Everlight and Freescale. Main products comprise IC,Modules,Potentiometer,IC Socket,Relay,Connector.Our parts cover such applications as commercial,industrial, and automotives areas.

We are looking forward to setting up business relationship with you and hope to provide you with the best service and solution. Let us make a better world for our industry!



Contact us

Tel: +86-755-8981 8866 Fax: +86-755-8427 6832

Email & Skype: info@chipsmall.com Web: www.chipsmall.com

Address: A1208, Overseas Decoration Building, #122 Zhenhua RD., Futian, Shenzhen, China





140×140×51 mm

San Ace 140W 9WB type

General Specifications

- Material Frame: Aluminum (Black coating), Impeller: Plastic (Flammability: UL 94V-1)
- Expected life See the table below. (L10 life: 90% survival rate for continuous operation in indoor free air at 60°C, rated voltage)
- Motor protection function Locked rotor burnout protection, Reverse polarity protection
For details, please refer to p. 529.
- Dielectric strength 50/60 Hz, 500 VAC, for 1 minute (between lead wire conductors and frame)
- Insulation resistance 10 MΩ or more with a 500 VDC megger (between lead wire conductors and frame)
- Sound pressure level (SPL) At 1 m away from the air inlet
- Storage temperature -30 to +70°C (Non-condensing)
- Lead wire ⊕Red ⊖Black or Blue (Sensor) Yellow
- Mass 700 g
- Ingress protection IP68

Specifications

The models listed below **have pulse sensors**.

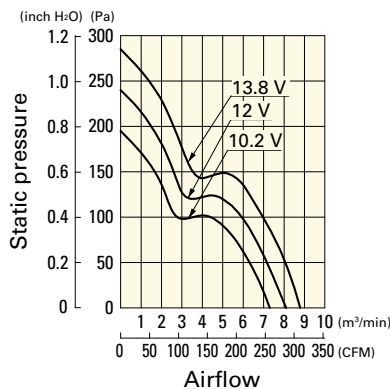
Model no.	Rated voltage [V]	Operating voltage range [V]	Rated current [A]	Rated input [W]	Rated speed [min ⁻¹]	Max. airflow [m ³ /min] [CFM]	Max. static pressure [Pa] [inchH ₂ O]	SPL [dB (A)]	Operating temperature [°C]	Expected life [h]
9WB1412S501	12	10.2 to 13.8	2.7	32.4	4200	8.1 286.2	240 0.96	57	-20 to +70	60000/60°C
9WB1412H501			1.25	15	3100	5.9 208.5	130 0.52	49		
9WB1412M501			0.46	5.52	2050	3.9 138	63 0.25	39		
9WB1424H501	24	20.4 to 27.6	0.6	14.4	3100	5.9 208.5	130 0.52	49		100000/60°C
9WB1424M501			0.22	5.28	2050	3.9 138	63 0.25	39		
9WB1448S501	48	40.8 to 55.2	0.71	34.08	4200	8.1 286.2	240 0.96	57		60000/60°C
9WB1448H501			0.27	12.96	3100	5.9 208.5	130 0.52	49	100000/60°C	

Other sensor specifications are available as options. Refer to the index (p. 558).

Airflow - Static Pressure Characteristics

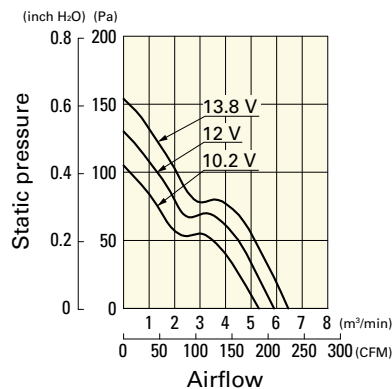
9WB1412S501 With pulse sensor

Operating voltage range



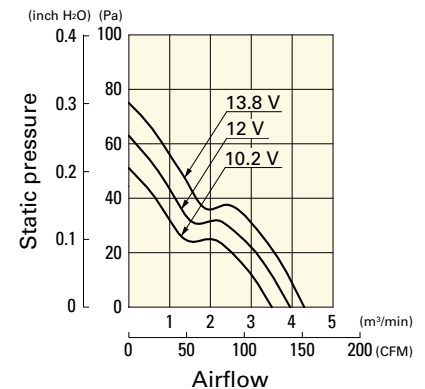
9WB1412H501 With pulse sensor

Operating voltage range



9WB1412M501 With pulse sensor

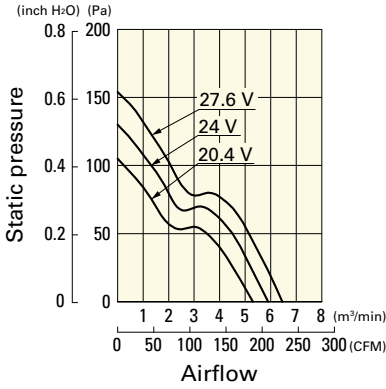
Operating voltage range



Airflow - Static Pressure Characteristics

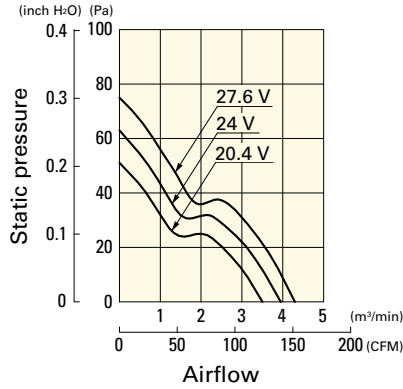
9WB1424H501 With pulse sensor

Operating voltage range



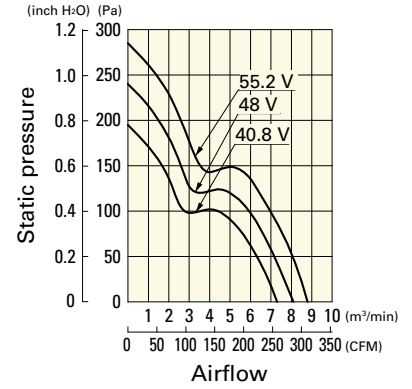
9WB1424M501 With pulse sensor

Operating voltage range



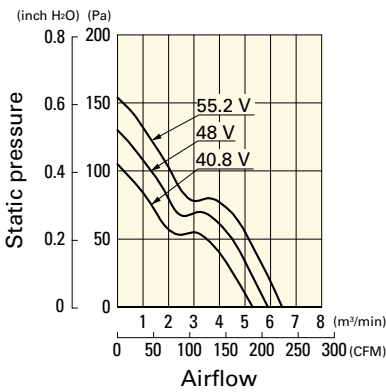
9WB1448S501 With pulse sensor

Operating voltage range

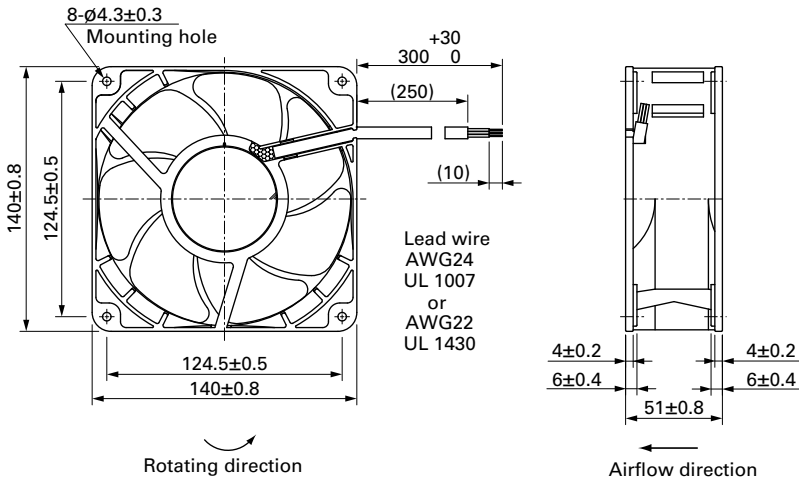


9WB1448H501 With pulse sensor

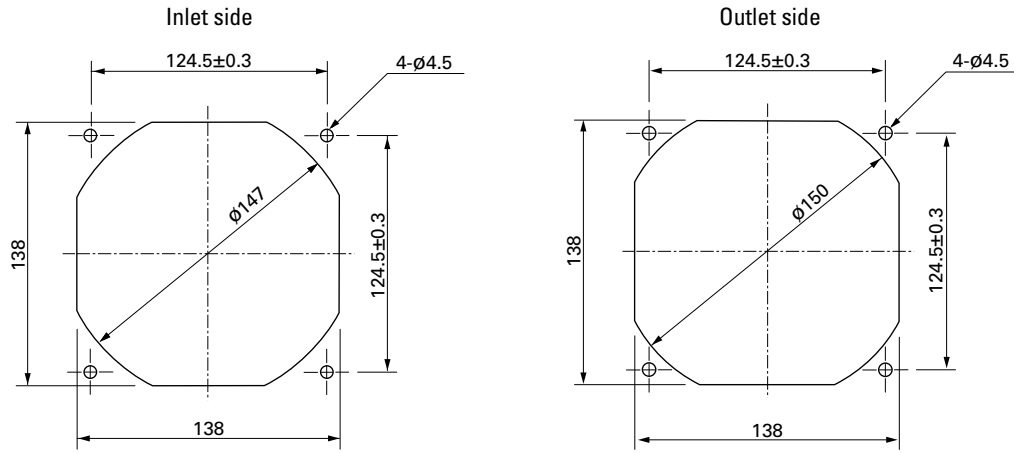
Operating voltage range



Dimensions (unit: mm)



■ Reference Dimensions of Mounting Holes and Vent Opening (unit: mm)



■ Options

Finger guards

page: p. 514

Model no.: 109-719, 109-719H