



Chipsmall Limited consists of a professional team with an average of over 10 year of expertise in the distribution of electronic components. Based in Hongkong, we have already established firm and mutual-benefit business relationships with customers from,Europe,America and south Asia,supplying obsolete and hard-to-find components to meet their specific needs.

With the principle of “Quality Parts,Customers Priority,Honest Operation,and Considerate Service”,our business mainly focus on the distribution of electronic components. Line cards we deal with include Microchip,ALPS,ROHM,Xilinx,Pulse,ON,Everlight and Freescale. Main products comprise IC,Modules,Potentiometer,IC Socket,Relay,Connector.Our parts cover such applications as commercial,industrial, and automotives areas.

We are looking forward to setting up business relationship with you and hope to provide you with the best service and solution. Let us make a better world for our industry!



Contact us

Tel: +86-755-8981 8866 Fax: +86-755-8427 6832

Email & Skype: info@chipsmall.com Web: www.chipsmall.com

Address: A1208, Overseas Decoration Building, #122 Zhenhua RD., Futian, Shenzhen, China



120mm sq.

San Ace 120W



General Specifications

- Material Frame: Aluminum,
Impeller: Plastics (Flammability: UL94V-1)
- Expected Life Refer to specifications (Indoor, L10:Survival rate: 90% at 60°C,
rated voltage, and continuously run in a free air state)
- Lead Wire ⊕red ⊖black or blue (Sensor) yellow
- Storage Temperature -30°C to +70°C (Non-condensing)

120×120×38mm [Mass : 410g] **IP 55** **9WG type**

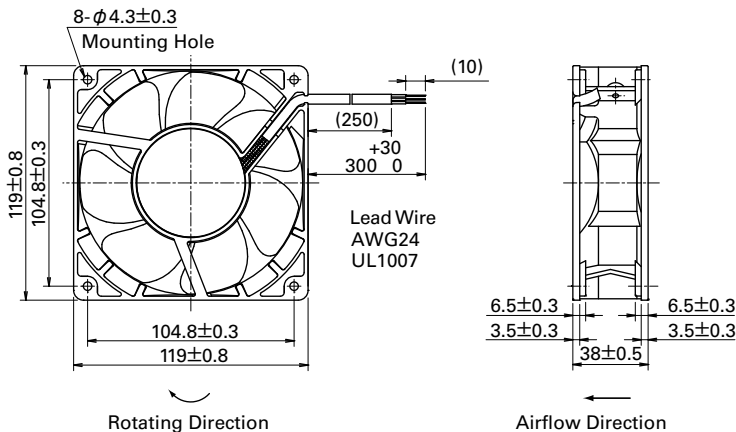
Specifications

The following nos. have pulse sensors.

Model No.	Rated Voltage [V]	Operating Voltage Range [V]	Rated Current [A]	Rated Input [W]	Rated Speed [min ⁻¹]	Max. Airflow [m ³ /min] [CFM]	Max. Static Pressure [Pa] [inchH ₂ O]	SPL [dB(A)]	Operating Temperature [°C]	Expected Life [h]	
9WG1212G101-E	12	10.2 to 13.8	0.98	11.76	3,600	3.88 137	135 0.542	49	- 20 to + 70	80,000/60°C	
9WG1212E101-E			0.61	7.32	3,100	3.34 118	100 0.402	46		100,000/60°C	
9WG1212H101-E		7 to 13.8	0.38	4.56	2,600	2.80 99	70.4 0.283	39		80,000/60°C	
9WG1212F101-E			0.28	3.36	2,280	2.45 87	54.2 0.218	36		100,000/60°C	
9WG1212M101-E			0.21	2.52	1,950	2.10 74	39.6 0.159	32		80,000/60°C	
9WG1224G101-E	24	20.4 to 27.6	0.50	12	3,600	3.88 137	135 0.542	49		- 20 to + 70	80,000/60°C
9WG1224E101-E			0.34	8.16	3,100	3.34 118	100 0.402	46			100,000/60°C
9WG1224H101-E		14 to 27.6	0.22	5.28	2,600	2.80 99	70.4 0.283	39			80,000/60°C
9WG1224F101-E			0.16	3.84	2,280	2.45 87	54.2 0.218	36			100,000/60°C
9WG1224M101-E			0.11	2.64	1,950	2.10 74	39.6 0.159	32			80,000/60°C
9WG1248G101-E	48	40.8 to 55.2	0.25	12	3,600	3.88 137	135 0.542	49	- 20 to + 70		80,000/60°C
9WG1248E101-E			0.17	8.16	3,100	3.34 118	100 0.402	46			100,000/60°C
9WG1248H101-E			0.11	5.28	2,600	2.80 99	70.4 0.283	39			80,000/60°C
9WG1248F101-E			0.09	4.32	2,280	2.45 87	54.2 0.218	36			100,000/60°C
9WG1248M101-E			0.07	3.36	1,950	2.10 74	39.6 0.159	32			80,000/60°C

Other sensor specifications are available as options. Please refer to the index (p. 511).

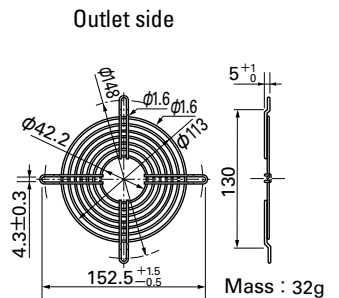
Dimensions (unit: mm)



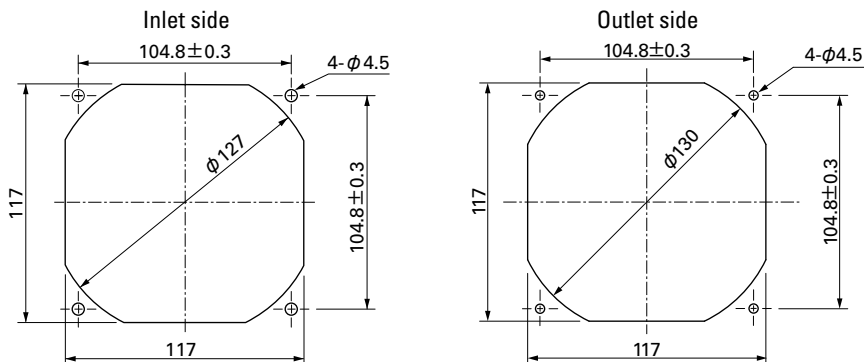
Options (unit: mm)

Finger Guards

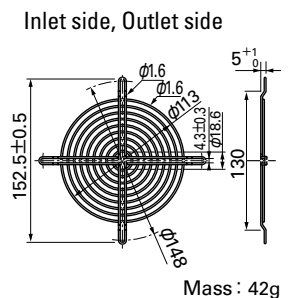
Model : 109-019C Surface treatment : Nickel-chrome plating (silver) Color : silver
: 109-019H : Cation electropainting (black)



Reference Dimensions of Mounting Holes and Vent Opening (unit: mm)



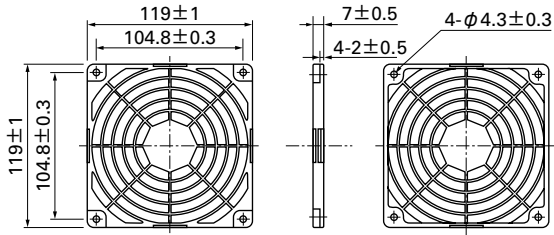
Model : 109-019E Surface treatment : Nickel-chrome plating (silver) Color : silver
: 109-019K : Cation electropainting (black)



Options (unit: mm)

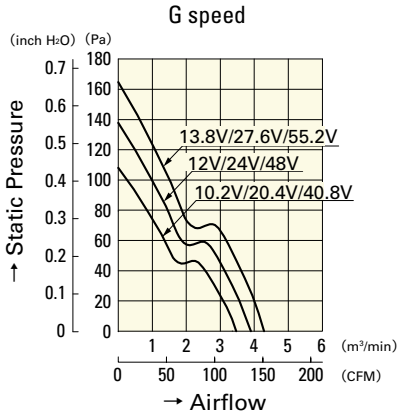
Resin Finger Guards

Model : 109-1000G

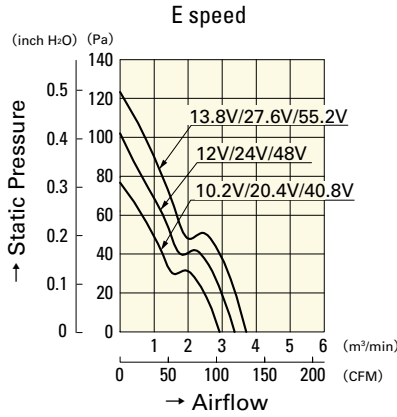


Mass : 23g

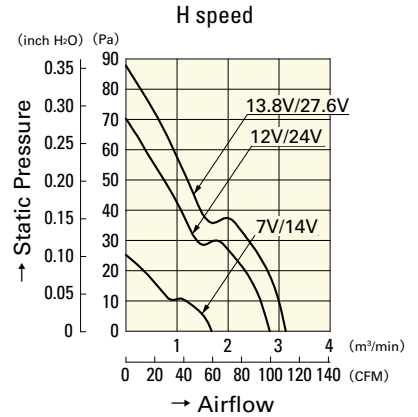
Airflow - Static Pressure Characteristics



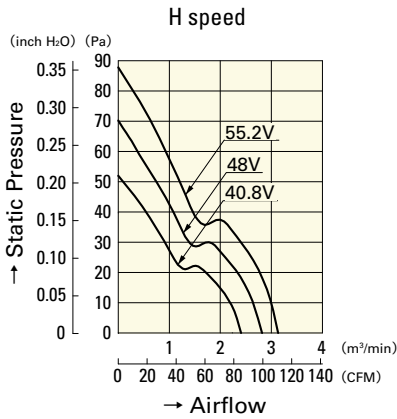
9WG1212G101-E
9WG1224G101-E
9WG1248G101-E



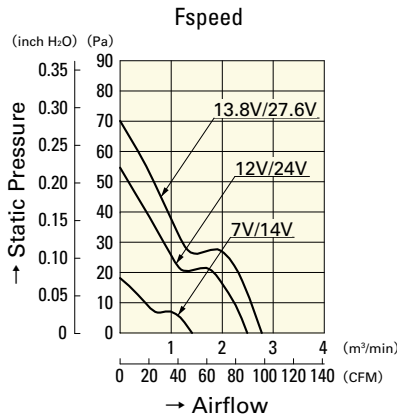
9WG1212E101-E
9WG1224E101-E
9WG1248E101-E



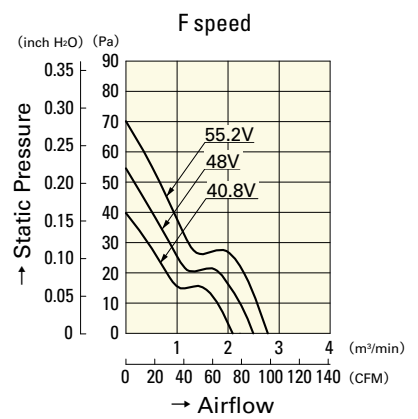
9WG1212H101-E
9WG1224H101-E



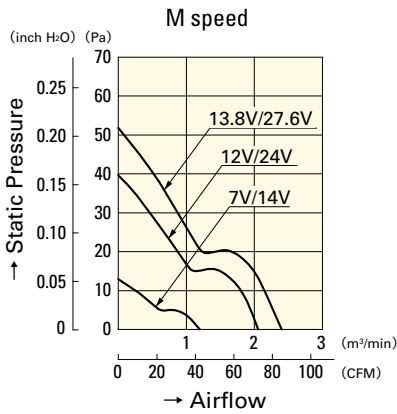
9WG1248H101-E



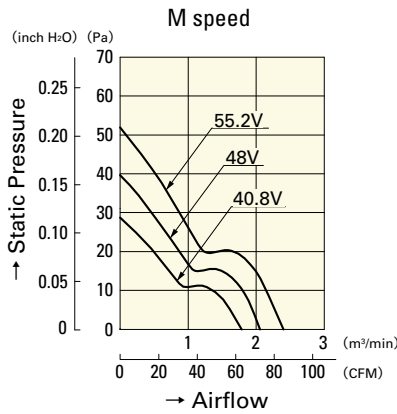
9WG1212F101-E
9WG1224F101-E



9WG1248F101-E



9WG1212M101-E
9WG1224M101-E



9WG1248M101-E