



Chipsmall Limited consists of a professional team with an average of over 10 year of expertise in the distribution of electronic components. Based in Hongkong, we have already established firm and mutual-benefit business relationships with customers from,Europe,America and south Asia,supplying obsolete and hard-to-find components to meet their specific needs.

With the principle of “Quality Parts,Customers Priority,Honest Operation,and Considerate Service”,our business mainly focus on the distribution of electronic components. Line cards we deal with include Microchip,ALPS,ROHM,Xilinx,Pulse,ON,Everlight and Freescale. Main products comprise IC,Modules,Potentiometer,IC Socket,Relay,Connector.Our parts cover such applications as commercial,industrial, and automotives areas.

We are looking forward to setting up business relationship with you and hope to provide you with the best service and solution. Let us make a better world for our industry!



## Contact us

Tel: +86-755-8981 8866 Fax: +86-755-8427 6832

Email & Skype: info@chipsmall.com Web: www.chipsmall.com

Address: A1208, Overseas Decoration Building, #122 Zhenhua RD., Futian, Shenzhen, China



**60**mm sq.

# San Ace 60W



## General Specifications

- Material ..... Frame: Aluminum (Black coating),  
Impeller: Plastics (Flammability: UL94V-1)
- Expected Life ..... Refer to specifications (Indoor, L10:Survival rate:90% at 60°C ,  
rated voltage, and continuously run in a free air state)
- Lead Wire ..... ⊕red ⊖black (Sensor) yellow (Control) brown
- Storage Temperature ..... -30°C to +70°C (Non-condensing)

**60×60×25**mm (Mass : 110g)

**IP 68**

**9WL type**

**High Airflow Long Life Fan**



## Specifications The following nos. have PWM controls and pulse sensors.

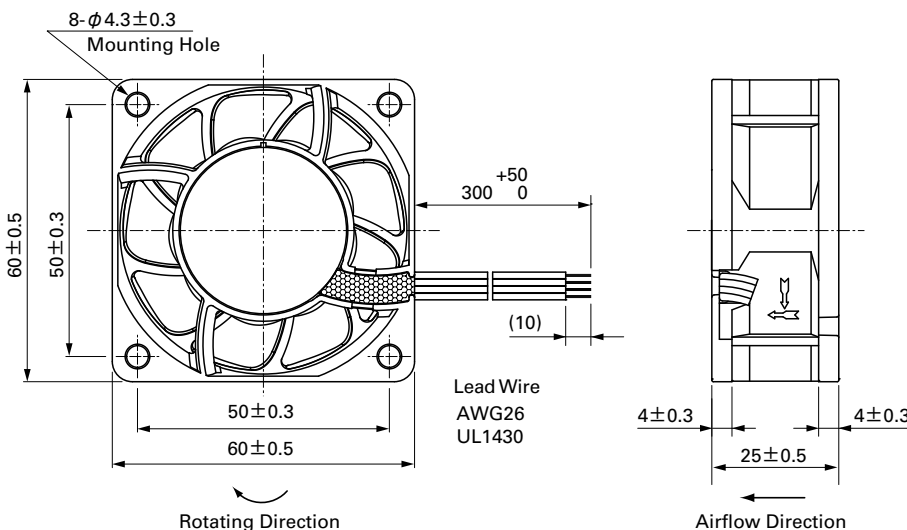
Model No.	Rated Voltage [V]	Operating Voltage Range [V]	PWM duty cycle <sup>Note1)</sup> [%]	Rated Current [A]	Rated Input [W]	Rated Speed [min <sup>-1</sup> ]	Max. Airflow [m <sup>3</sup> /min] [CFM]	Max. Static Pressure [Pa] [inchH <sub>2</sub> O]	SPL [dB(A)]	Operating Temperature [°C]	Expected Life [h]		
9WL0612P4S001	12	10.8 to 13.2	100	0.67	8.04	11,000	1.40 49.4	300 1.204	53	-20 to +70	180,000/60°C		
			20	0.06	0.72	2,900	0.36 12.7	20.8 0.083	20				
9WL0612P4J001			100	0.39	4.68	8,650	1.10 38.8	182 0.730	47				
			20	0.03	0.36	1,150	0.13 4.8	3.3 0.013	14				
9WL0612P4H001			100	0.17	2.04	6,150	0.78 27.5	97 0.389	36				
			20	0.03	0.36	1,350	0.17 6.0	4.7 0.018	14				
9WL0624P4S001			24	21.6 to 26.4	100	0.34	8.16	11,000	1.40 49.4			300 1.204	53
					20	0.03	0.72	2,900	0.36 12.7			20.8 0.083	20
9WL0624P4J001	100	0.19			4.56	8,650	1.10 38.8	182 0.730	47				
	20	0.02			0.48	2,200	0.28 9.8	12.0 0.048	17				
9WL0624P4H001	100	0.08			1.92	6,150	0.78 27.5	97 0.389	36				
	20	0.02			0.48	1,300	0.16 5.6	4.3 0.017	14				

Note: Fan does not rotate when PWM duty cycle is 0%.

※PWM Frequency : 25kHz

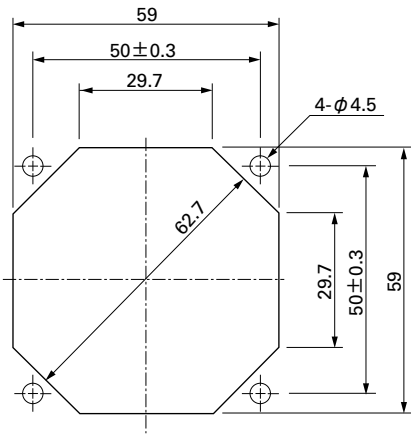
Other sensor specifications are available as options. Please refer to the index (p. 511).

## Dimensions (unit: mm)



**Reference Dimensions of Mounting Holes and Vent Opening (unit: mm)**

Inlet side, Outlet side



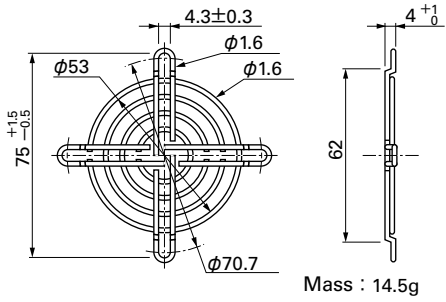
**Options (unit: mm)**

**Finger Guards**

Model : 109-139E Surface treatment : Nickel-chrome plating (silver)  
 : 109-139H : Cation electropainting (black)

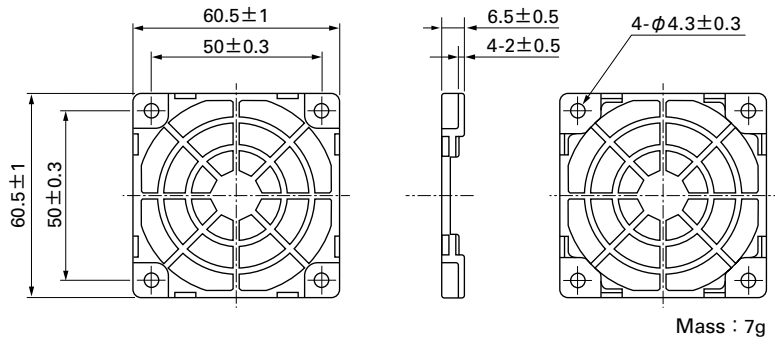
Color

Inlet side, Outlet side



**Resin Finger Guards**

Model : 109-1003G



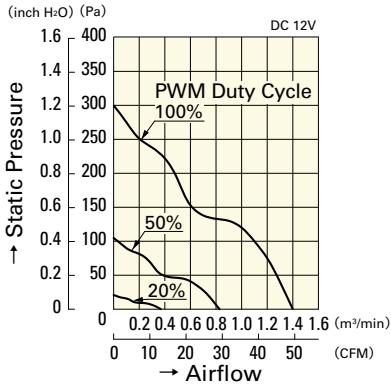
**60**mm sq.

# San Ace 60W

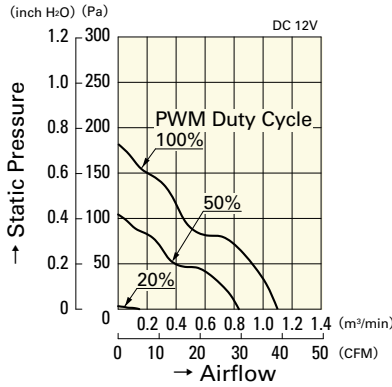
**60×60×25**mm [Mass : 120g]

## Airflow - Static Pressure Characteristics

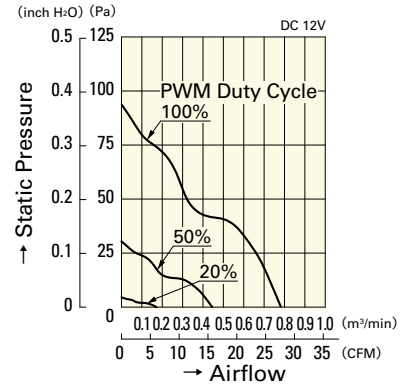
### PWM Duty Cycle



**9WL0612P4S001**

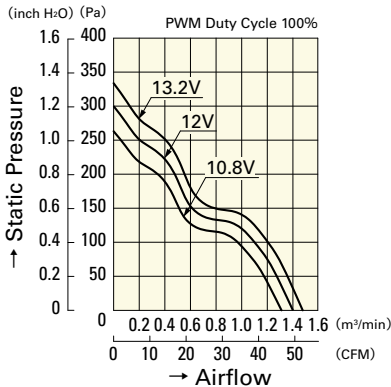


**9WL0612P4J001**

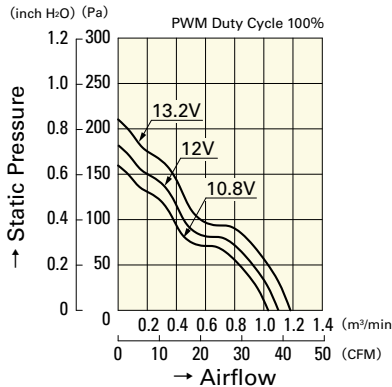


**9WL0612P4H001**

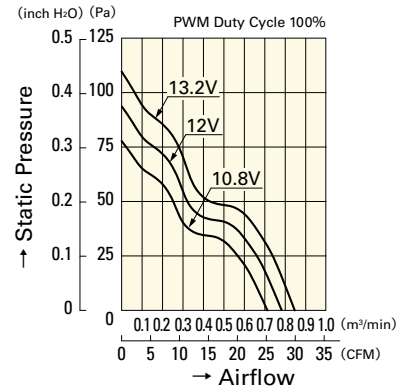
### Operating Voltage Range



**9WL0612P4S001**

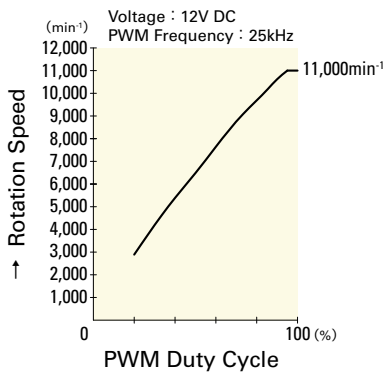


**9WL0612P4J001**

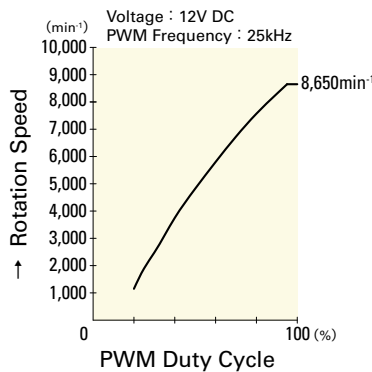


**9WL0612P4H001**

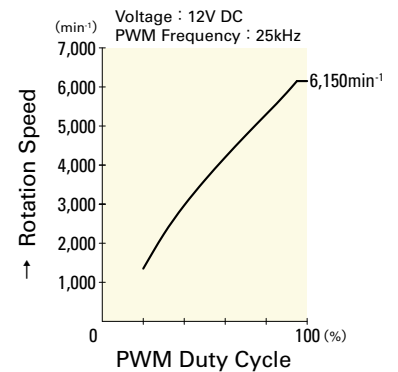
## PWM Duty - Speed Characteristics Example



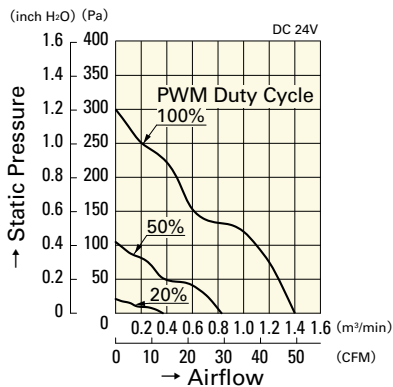
**9WL0612P4S001**



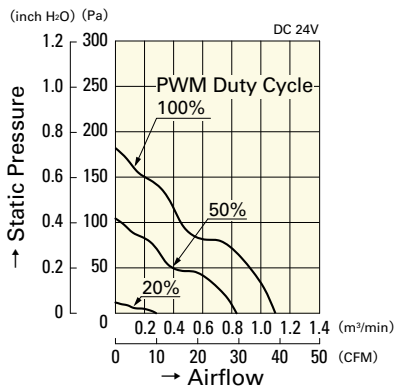
**9WL0612P4J001**



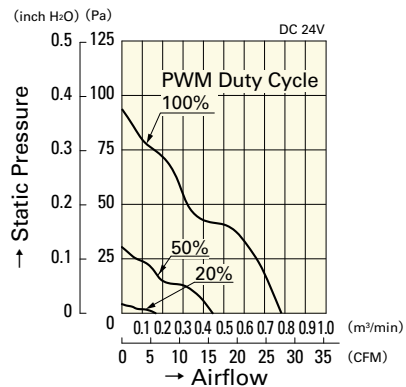
**9WL0612P4H001**



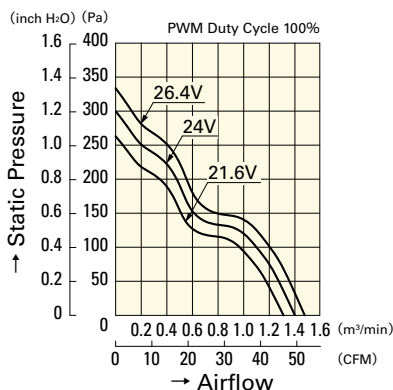
9WL0624P4S001



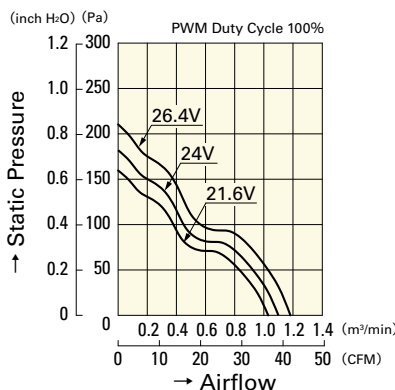
9WL0624P4J001



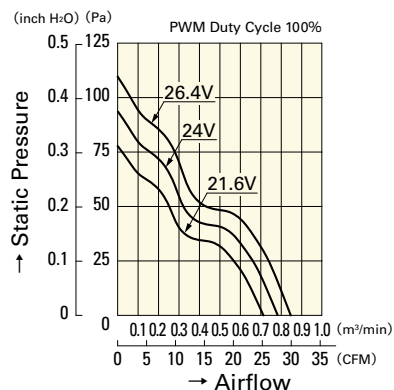
9WL0624P4H001



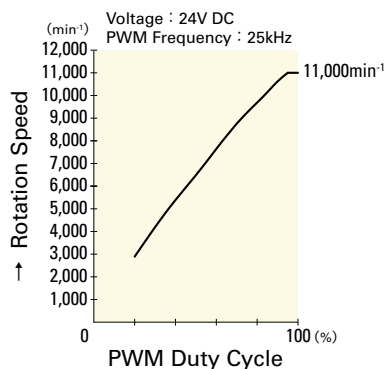
9WL0624P4S001



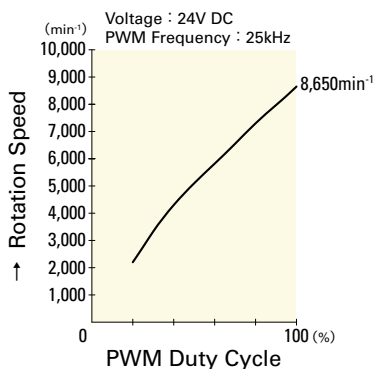
9WL0624P4J001



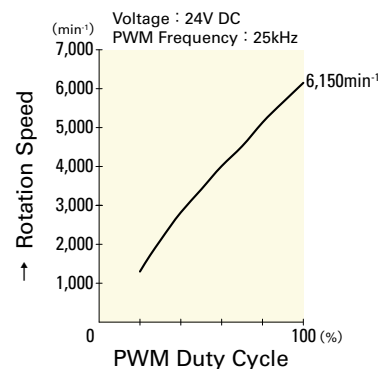
9WL0624P4H001



9WL0624P4S001



9WL0624P4J001



9WL0624P4H001