



Chipsmall Limited consists of a professional team with an average of over 10 year of expertise in the distribution of electronic components. Based in Hongkong, we have already established firm and mutual-benefit business relationships with customers from,Europe,America and south Asia,supplying obsolete and hard-to-find components to meet their specific needs.

With the principle of “Quality Parts,Customers Priority,Honest Operation,and Considerate Service”,our business mainly focus on the distribution of electronic components. Line cards we deal with include Microchip,ALPS,ROHM,Xilinx,Pulse,ON,Everlight and Freescale. Main products comprise IC,Modules,Potentiometer,IC Socket,Relay,Connector.Our parts cover such applications as commercial,industrial, and automotives areas.

We are looking forward to setting up business relationship with you and hope to provide you with the best service and solution. Let us make a better world for our industry!



Contact us

Tel: +86-755-8981 8866 Fax: +86-755-8427 6832

Email & Skype: info@chipsmall.com Web: www.chipsmall.com

Address: A1208, Overseas Decoration Building, #122 Zhenhua RD., Futian, Shenzhen, China



80 mm sq.

San Ace 80W



General Specifications

- Material Frame: Aluminum (Black coating),
Impeller: Plastics (Flammability: UL94V-1)
- Expected Life Refer to specifications (Indoor, L10: Survival rate: 90% at 60°C ,
rated voltage, and continuously run in a free air state)
- Lead Wire ⊕ red ⊖ black (Sensor) yellow (Control) brown
- Storage Temperature -30°C to +70°C (Non-condensing)

80×80×25 mm (Mass : 150g)

IP68

9WL_{type}

High Airflow Long Life Fan



Specifications The following nos. have PWM controls and pulse sensors.

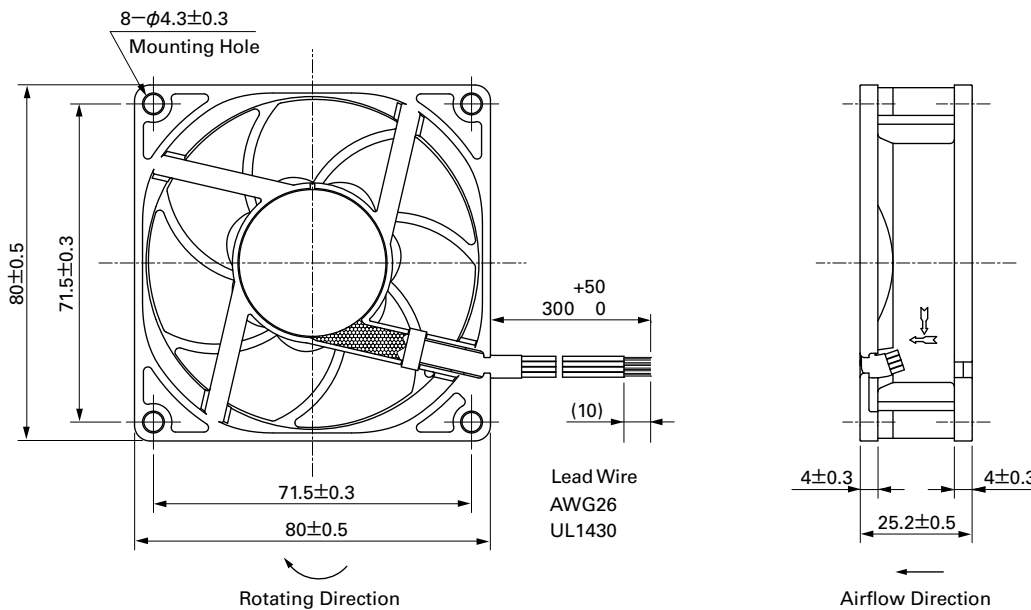
Model No.	Rated Voltage [V]	Operating Voltage Range [V]	PWM duty cycle ^{Min/Max} [%]	Rated Current [A]	Rated Input [W]	Rated Speed [min ⁻¹]	Max. Airflow [m ³ /min] [CFM]	Max. Static Pressure [Pa] [inchH ₂ O]	SPL [dB(A)]	Operating Temperature [°C]	Expected Life [h]
9WL0812P4J001	12	10.8 to 13.2	100	0.6	7.2	7,400	2.07 73.0	177 0.71	49	-20 to +70	180,000/60°C
			20	0.06	0.72	1,800	0.50 17.6	10.4 0.04	16		
9WL0812P4G001			100	0.30	3.60	5,500	1.54 54.3	98 0.39	43		
			25	0.05	0.60	1,400	0.39 13.7	6.3 0.02	14		
9WL0812P4H001			100	0.12	1.44	3,700	1.03 36.3	44 0.17	31		
			25	0.04	0.48	1,100	0.30 10.5	3.9 0.01	13		
9WL0824P4J001	24	21.6 to 26.4	100	0.28	6.72	7,400	2.07 73.0	177 0.71	49		
			20	0.05	1.20	2,400	0.67 23.6	18.6 0.07	22		
9WL0824P4G001			100	0.14	3.36	5,500	1.54 54.3	98 0.39	43		
			20	0.02	0.48	1,200	0.33 11.6	4.6 0.01	13		
9WL0824P4H001			100	0.05	1.2	3,700	1.03 36.3	44 0.17	31		
			30	0.02	0.48	1,100	0.30 10.5	3.9 0.01	13		

Note : Fan does not rotate when PWM duty cycle is 0%.

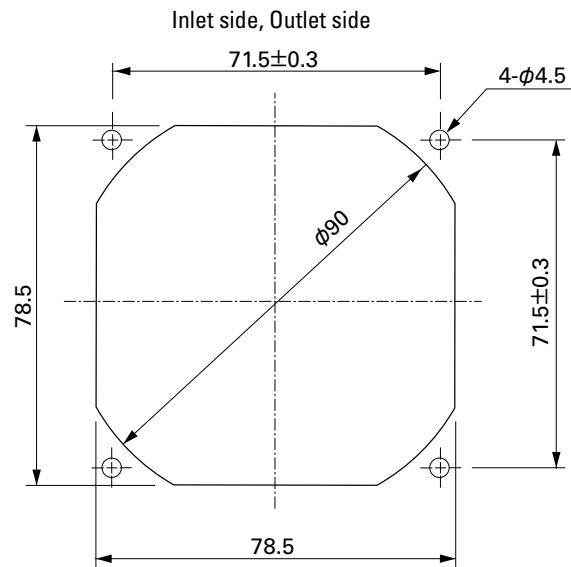
※PWM Frequency : 25kHz

Other sensor specifications are available as options. Please refer to the index (pp. 511 to 512).

Dimensions (unit: mm)



Reference Dimensions of Mounting Holes and Vent Opening (unit: mm)



Options (unit: mm)

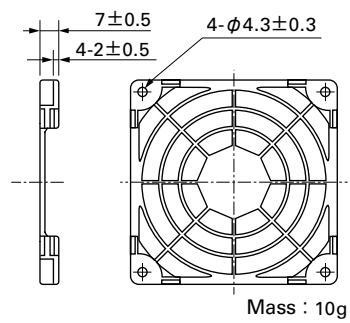
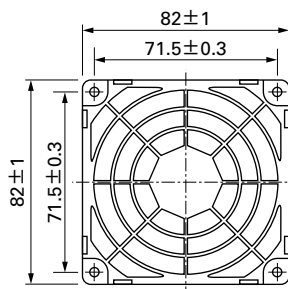
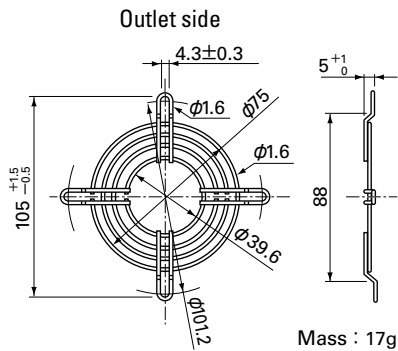
Finger Guards

Model : 109-049C Surface treatment : Nickel-chrome plating (silver) Color

Color

Resin Finger Guards

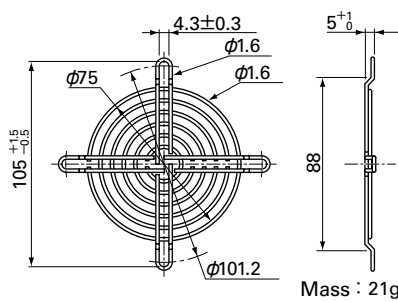
Model : 109-1002G



Model : 109-049E Surface treatment : Nickel-chrome plating (silver) Color
: 109-049H : Cation electropainting (black)

Color

Inlet side, Outlet side



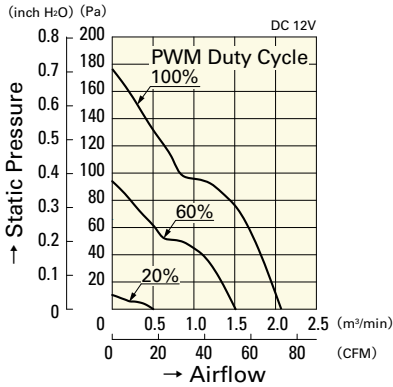
80mm sq.

San Ace 80W

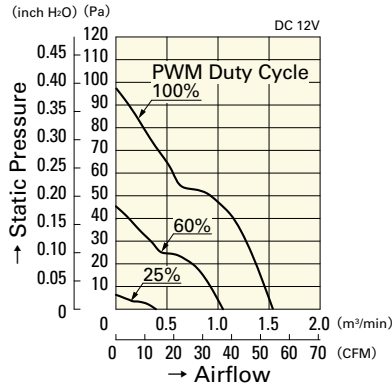
80×80×25mm [Mass : 150g]

Airflow - Static Pressure Characteristics

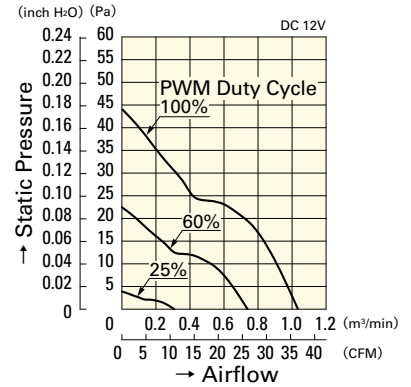
PWM Duty Cycle



9WL0812P4J001

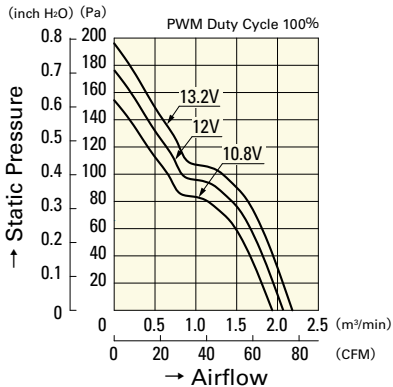


9WL0812P4G001

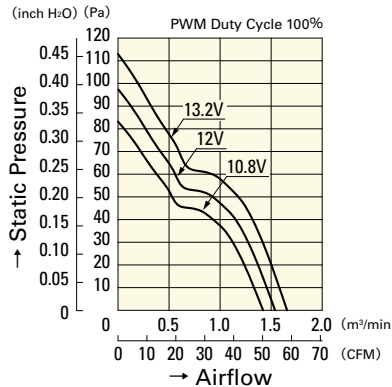


9WL0812P4H001

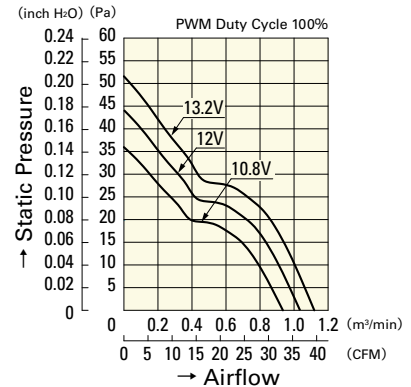
Operating Voltage Range



9WL0812P4J001

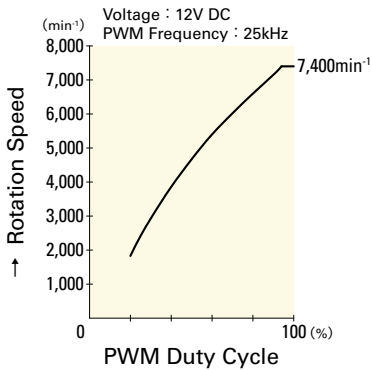


9WL0812P4G001

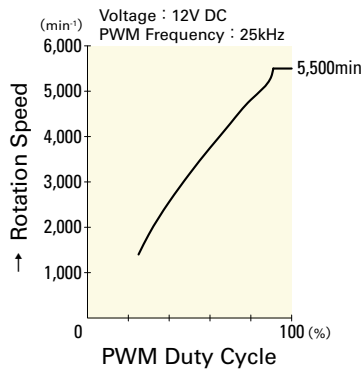


9WL0812P4H001

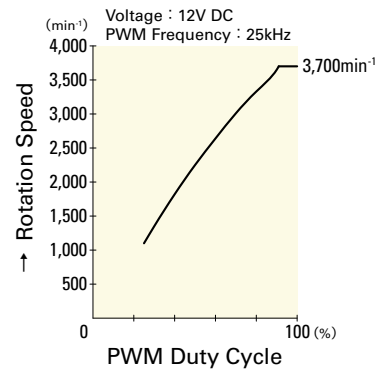
PWM Duty - Speed Characteristics Example



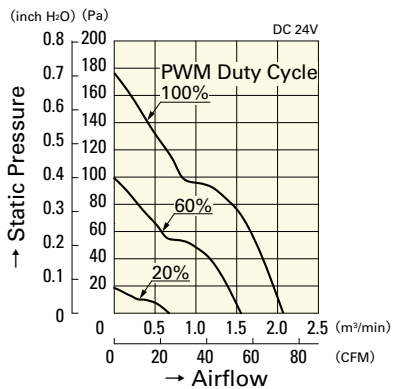
9WL0812P4J001



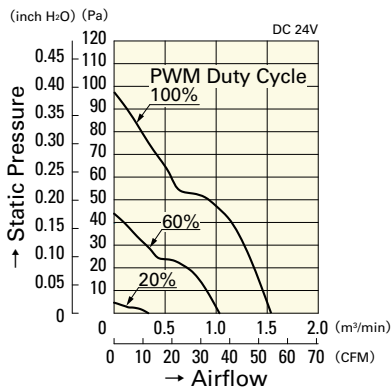
9WL0812P4G001



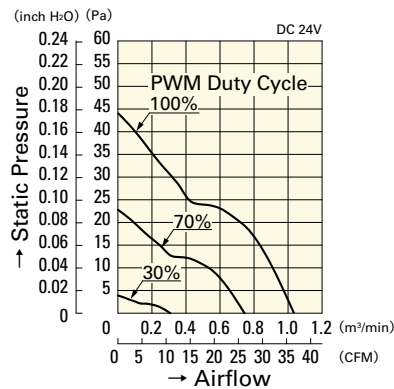
9WL0812P4H001



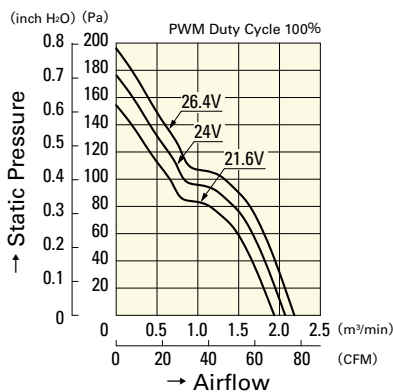
9WL0824P4J001



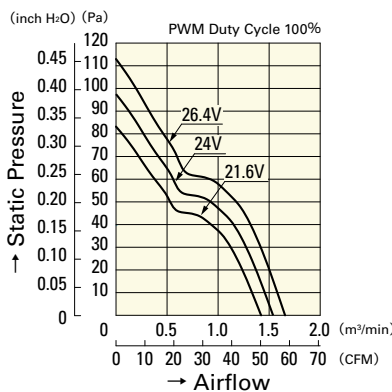
9WL0824P4G001



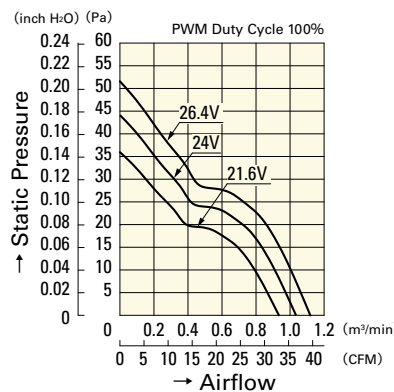
9WL0824P4H001



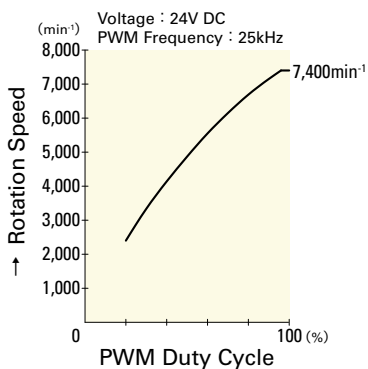
9WL0824P4J001



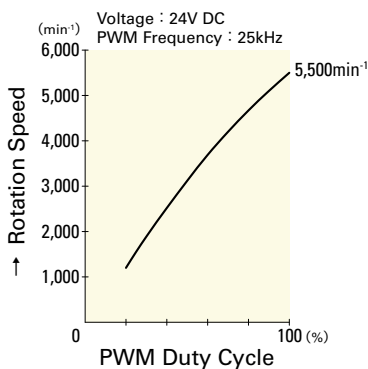
9WL0824P4G001



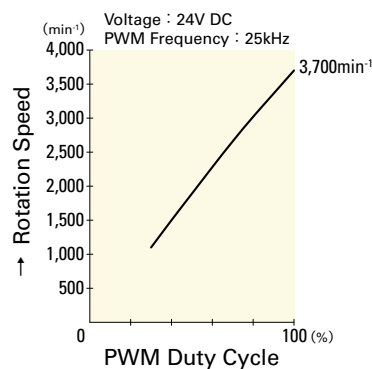
9WL0824P4H001



9WL0824P4J001



9WL0824P4G001



9WL0824P4H001