



Chipsmall Limited consists of a professional team with an average of over 10 year of expertise in the distribution of electronic components. Based in Hongkong, we have already established firm and mutual-benefit business relationships with customers from,Europe,America and south Asia,supplying obsolete and hard-to-find components to meet their specific needs.

With the principle of “Quality Parts,Customers Priority,Honest Operation,and Considerate Service”,our business mainly focus on the distribution of electronic components. Line cards we deal with include Microchip,ALPS,ROHM,Xilinx,Pulse,ON,Everlight and Freescale. Main products comprise IC,Modules,Potentiometer,IC Socket,Relay,Connector.Our parts cover such applications as commercial,industrial, and automotives areas.

We are looking forward to setting up business relationship with you and hope to provide you with the best service and solution. Let us make a better world for our industry!



Contact us

Tel: +86-755-8981 8866 Fax: +86-755-8427 6832

Email & Skype: info@chipsmall.com Web: www.chipsmall.com

Address: A1208, Overseas Decoration Building, #122 Zhenhua RD., Futian, Shenzhen, China



80 mm sq.

San Ace 80W



General Specifications

- Material Frame: Plastics (Flammability: UL94V-0),
Impeller: Plastics (Flammability: UL94V-1)
- Expected Life Refer to specifications (Indoor, L10:Survival rate: 90% at 60°C ,
rated voltage, and continuously run in a free air state)
- Lead Wire ⊕red ⊖black (Sensor) yellow
- Storage Temperature -30°C to +70°C (Non-condensing)

80×80×25 mm (Mass : 130g) **IP 68** **9WP** type

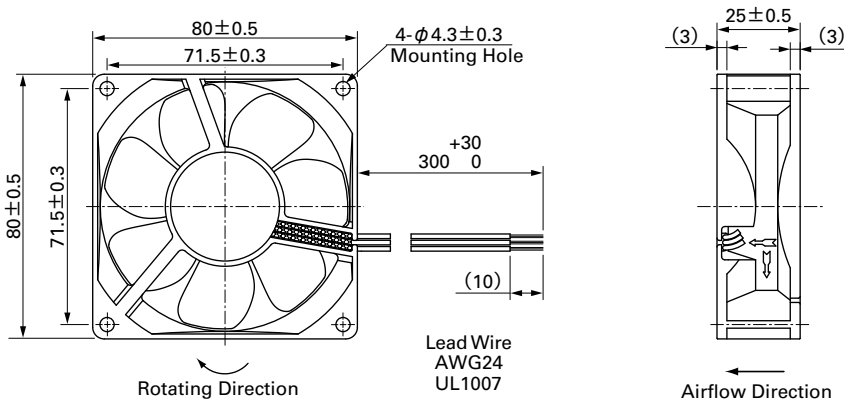
Specifications

The following nos. **have pulse sensors and ribs**. For ribless, append "1" to the model no.

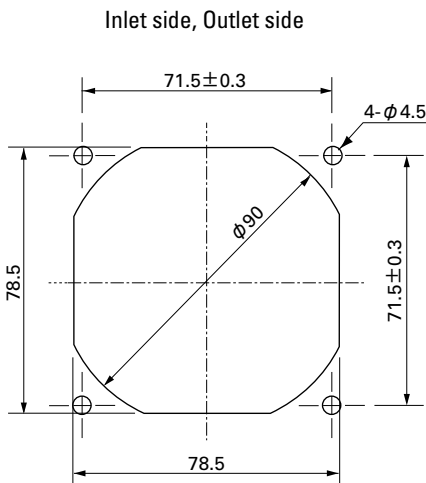
Model No.	Rated Voltage [V]	Operating Voltage Range [V]	Rated Current [A]	Rated Input [W]	Rated Speed [min ⁻¹]	Max. Airflow [m ³ /min] [CFM]	Max. Static Pressure [Pa] [inchH ₂ O]	SPL [dB(A)]	Operating Temperature [°C]	Expected Life [h]
9WP0812G401	12	10.8 to 13.2	0.38	4.56	4,500	1.50 53	80.4 0.323	40	-20 to +70	40,000/60°C
9WP0812H401		10.2 to 13.8	0.13	1.56	2,900	1.03 36.4	35.3 0.142	29		60,000/60°C
9WP0824S401	24	20.4 to 27.6	0.1	2.4	3,400	1.20 42.4	48.0 0.193	34		40,000/60°C
9WP0824H401			0.07	1.68	2,900	1.03 36.4	35.3 0.142	29		60,000/60°C
9WP0848S401	48	40.8 to 55.2	0.06	2.88	3,400	1.20 42.4	48.0 0.193	34	40,000/60°C	

Other sensor specifications are available as options. Please refer to the index (p. 512).

Dimensions (unit: mm) (With ribs)



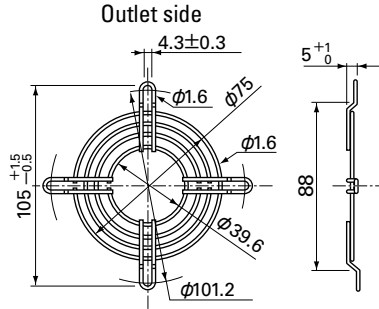
Reference Dimensions of Mounting Holes and Vent Opening (unit: mm)



Options (unit: mm)

Finger Guards

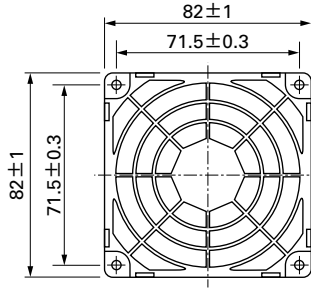
Model : 109-049C Surface treatment : Nickel-chrome plating (silver) Color : Silver



Mass : 17g

Resin Finger Guards

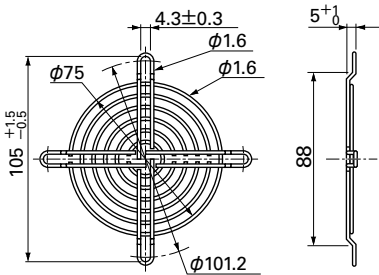
Model : 109-1002G



Mass : 10g

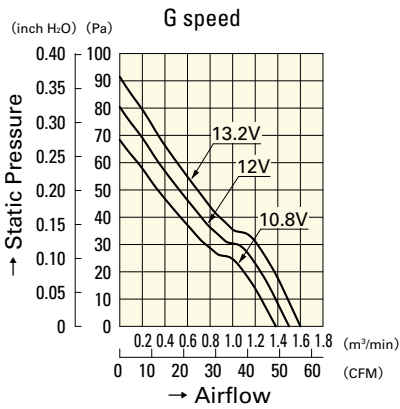
Model : 109-049E Surface treatment : Nickel-chrome plating (silver) Color : Silver
 : 109-049H : Cation electropainting (black)

Inlet side, Outlet side

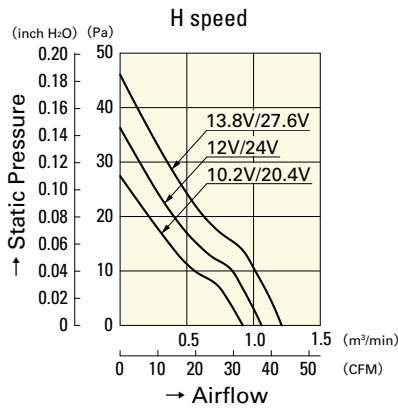


Mass : 21g

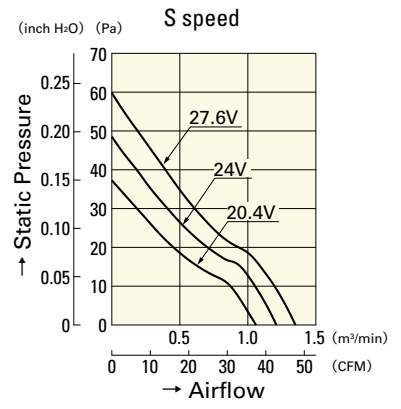
Airflow - Static Pressure Characteristics



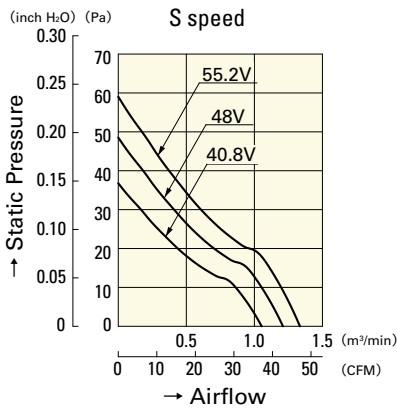
9WP0812G401



9WP0812H401
9WP0824H401



9WP0824S401



9WP0848S401

DC

Splash Proof Fan 80mm