



Chipsmall Limited consists of a professional team with an average of over 10 year of expertise in the distribution of electronic components. Based in Hongkong, we have already established firm and mutual-benefit business relationships with customers from,Europe,America and south Asia,supplying obsolete and hard-to-find components to meet their specific needs.

With the principle of “Quality Parts,Customers Priority,Honest Operation,and Considerate Service”,our business mainly focus on the distribution of electronic components. Line cards we deal with include Microchip,ALPS,ROHM,Xilinx,Pulse,ON,Everlight and Freescale. Main products comprise IC,Modules,Potentiometer,IC Socket,Relay,Connector.Our parts cover such applications as commercial,industrial, and automotives areas.

We are looking forward to setting up business relationship with you and hope to provide you with the best service and solution. Let us make a better world for our industry!



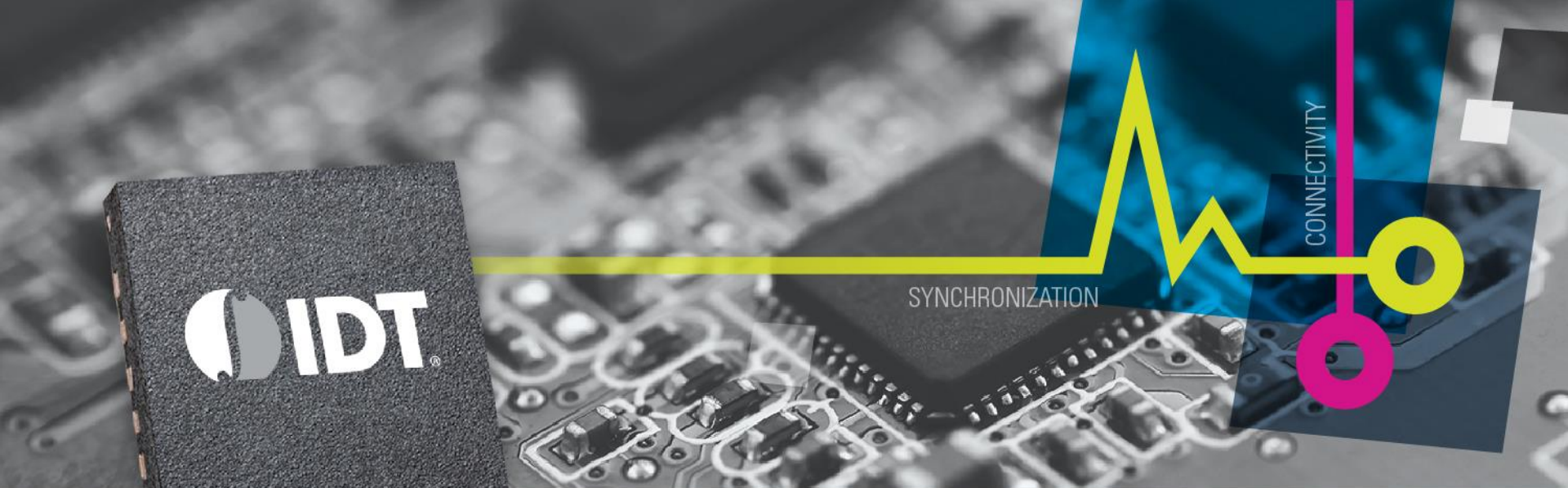
Contact us

Tel: +86-755-8981 8866 Fax: +86-755-8427 6832

Email & Skype: info@chipsmall.com Web: www.chipsmall.com

Address: A1208, Overseas Decoration Building, #122 Zhenhua RD., Futian, Shenzhen, China





Channel NPI

9ZXL 2nd Generation Very High Performance
Clock Buffers for PCIe[®] Gen4 and Beyond

January 2018 v2

9ZXL1951D Product Snapshot

PCIe® Gen4 and Gen5-Ready Zero-Delay/Fanout Buffer

Features

- 19 outputs in a 6 mm x 6 mm package
- 1 to 400 MHz fanout buffer mode
- <200 fs rms PCIe Gen4 ZDB mode
- <100 fs rms 12k-20M additive jitter @156.25 MHz as fanout buffer
- PCIe jitter cleaner mode
- LP-HCSL outputs
- Multiple SMBus addresses
- SMBus security feature – some family members
- -40C to +85C temperature range

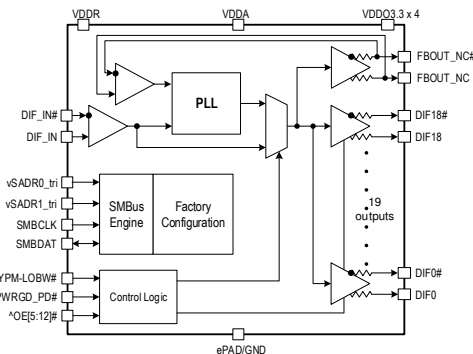
Benefits

- ~90% margin to PCIe Gen4 (Gen5-ready)
- Cascade 3 buffer levels maintaining >90% margin to PCIe Gen4
- Direct drive of 85Ω loads eliminates up to 122 mm² of resistors
- Up to 90% output power reduction
- Clean marginal Gen3/Gen4 clocks to Gen4 spec
- Easily use multiple devices in a system
- System security against malicious BIOS

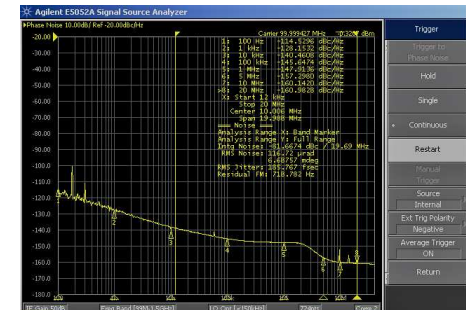
Applications

- High-Performance PCIe in:
 - Servers
 - Networking
 - Instrumentation
 - Storage
 - Data acquisition
 - Accelerator Cards

Very High-Performance Clock Buffer for PCIe Gen4 and Beyond



EVK9ZXL1951D

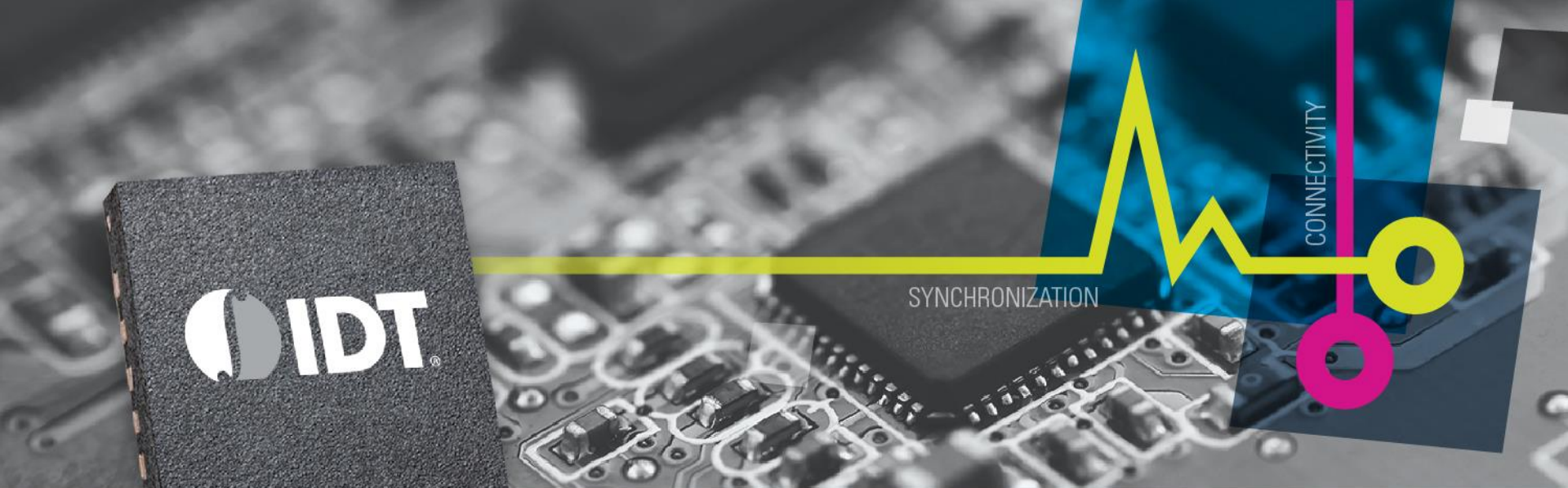


185 fs 12k-20M ZDB mode

9ZXL 2nd Generation Devices

Family Prefix	Number of outputs	Differential Output Impedance 3 = 33Ω 4 = 100Ω* 5 = 85Ω	Device Variant	Revision for 2nd Generation	Package / Temperature / Lead-Free Indicator Code	Package	Notes	Part Number
9ZXL	06	3	1	E	KILF	5mm x 5mm 40-QFN		9ZXL0631EKILF
9ZXL	06	3	2	E	KILF	5mm x 5mm 40-QFN	SMBus Write Protect	9ZXL0632EKILF
9ZXL	06	5	1	E	KILF	5mm x 5mm 40-QFN		9ZXL0651EKILF
9ZXL	06	5	2	E	KILF	5mm x 5mm 40-QFN	SMBus Write Protect	9ZXL0652EKILF
9ZXL	08	3	1	E	KILF	6mm x 6mm 48-QFN		9ZXL0831EKILF
9ZXL	08	3	2	E	KILF	6mm x 6mm 48-QFN	SMBus Write Protect	9ZXL0832EKILF
9ZXL	08	5	1	E	KILF	6mm x 6mm 48-QFN		9ZXL0851EKILF
9ZXL	08	5	2	E	KILF	6mm x 6mm 48-QFN	SMBus Write Protect	9ZXL0852EKILF
9ZXL	12	3	1	E	KILF	9mm x 9mm 64-QFN		9ZXL1231EKILF
9ZXL	12	3	2	E	KILF	9mm x 9mm 64-QFN	SMBus Write Protect	9ZXL1232EKILF
9ZXL	12	5	1	E	KILF	9mm x 9mm 64-QFN		9ZXL1251EKILF
9ZXL	12	5	2	E	KILF	9mm x 9mm 64-QFN	SMBus Write Protect	9ZXL1252EKILF
9ZXL	15	3	0	D	KILF	9mm x 9mm 64-QFN		9ZXL1530DKILF
9ZXL	15	5	0	D	KILF	9mm x 9mm 64-QFN		9ZXL1550DKILF
9ZXL	19	3	0	D	KILF	10mm x 10mm 72-QFN		9ZXL1930DKILF
9ZXL	19	5	0	D	KILF	10mm x 10mm 72-QFN		9ZXL1950DKILF
9ZXL	19	5	1	D	NHGI	6mm x 6mm 80-QFN		9ZXL1951DNHGI

*Note: 100ohm devices area available on demand.



Thank You

Analog Mixed Signal Product
Leadership in Growth Markets