



Chipsmall Limited consists of a professional team with an average of over 10 year of expertise in the distribution of electronic components. Based in Hongkong, we have already established firm and mutual-benefit business relationships with customers from,Europe,America and south Asia,supplying obsolete and hard-to-find components to meet their specific needs.

With the principle of "Quality Parts,Customers Priority,Honest Operation,and Considerate Service",our business mainly focus on the distribution of electronic components. Line cards we deal with include Microchip,ALPS,ROHM,Xilinx,Pulse,ON,Everlight and Freescale. Main products comprise IC,Modules,Potentiometer,IC Socket,Relay,Connector.Our parts cover such applications as commercial,industrial, and automotives areas.

We are looking forward to setting up business relationship with you and hope to provide you with the best service and solution. Let us make a better world for our industry!



Contact us

Tel: +86-755-8981 8866 Fax: +86-755-8427 6832

Email & Skype: info@chipsmall.com Web: www.chipsmall.com

Address: A1208, Overseas Decoration Building, #122 Zhenhua RD., Futian, Shenzhen, China



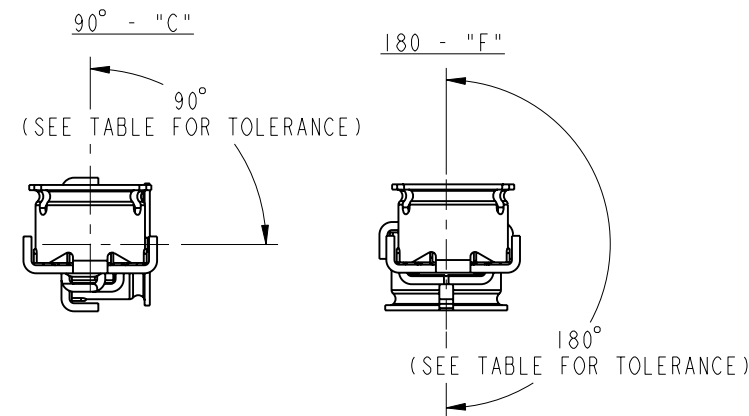
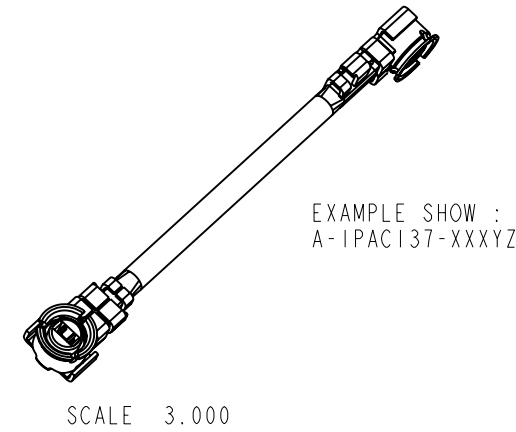
NOTES:

1. ELECTRICAL:
 - A. IMPEDANCE: 50Ω (NOMINAL)
 - B. FREQUENCY RANGE: 0-6 GHz
 - C. CONTACT RESISTANCE: CENTER: 20mΩ MAX.; MEASURED AT 10mA MAX. 25 mΩ MAX AFTER CYCLING
OUTSIDE: 10mΩ MAX. 15 mΩ MAX AFTER CYCLING
 - D. INSULATION RESISTANCE: 500MΩ MIN.; MEASURED AT 100 VDC.
 - E. WITHSTANDIN VOLTAGE: NO LINE OR INSULATION BREAKDOWN: 200 VAC FOR 1 MIN.
 - F. V.S.W.R. : 1.3 MAX. AT DC TO 3GHz, 1.4 MAX. AT 3 TO 6GHz
 - G. TYPICAL INSERTION LOSS : .0018*L*√Frequency in GHz]+.087*√Frequency in GHz]
2. PHYSICAL:
 - A. FEMALE CONTACT HOLDING FORCE: 0.15N MIN. : MEASURED WITH A Ø0.475MM PIN GAUGE.
 - B. DURABILITY: 30 CYCLES
 - C. TEMPERATURE RANGE: -40°C TO +90°C.
 - D. AMC CONNECTOR MATING FORCE: 15N TYPICAL
 - E. AMC CONNECTOR DEMATING FORCE: 10N TYPICAL - 20N MAX
 - F. AMC INTERFACE IS FULLY COMPATIBLE WITH "U.FL" SERIES PRODUCT.
3. MATERIALS AND FINISHES: (IN MICROMETERS)
 - CONNECTOR BODY: PHOSPHOR BRONZE, SILVER PLATED (0.76 MIN.) OVER COPPER (1 MIN)
 - CONNECTOR CENTER CONTACT: PHOSPHOR BRONZE, GOLD PLATED (0.076 MIN.) OVER NICKEL (2 MIN)
 - CONNECTOR INSULATOR: HIGH TEMP PLASTIC UL 94V-0, BLACK
 - CABLE JACKET: FEP
 - CABLE DIELECTRIC: FEP
 - CABLE CENTER CONDUCTOR: ANNEALED COPPER WIRE STRANDED, SILVER PLATED
 - CABLE OUTER CONDUCTOR: ANNEALED COPPER WIRE BRAID, TIN PLATED
4. PACKAGING:
 - A. PACKAGED IN BAGS OF 100 PIECES

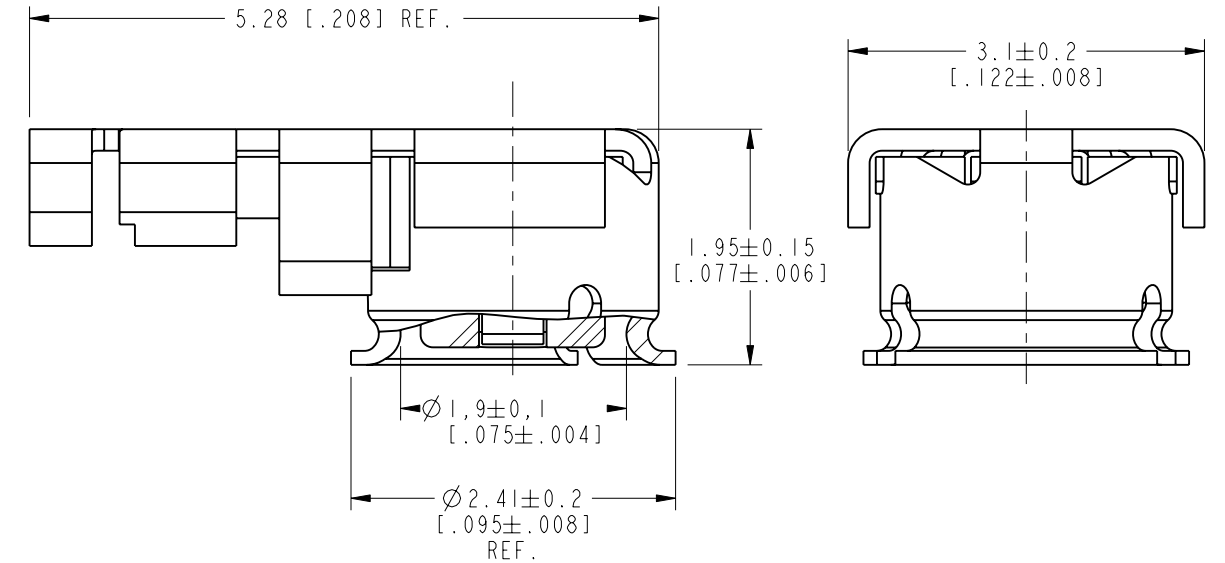
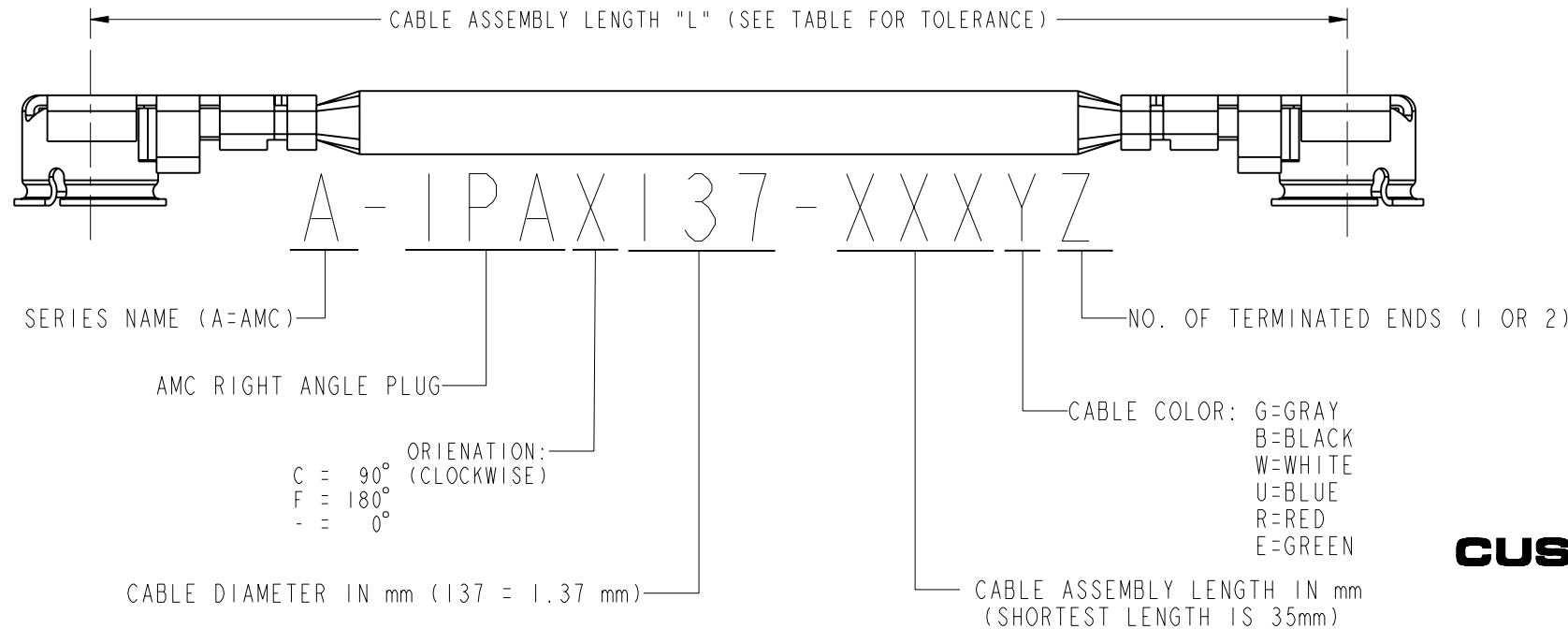
THIRD ANGLE PROJ.

REVISIONS

REV	DESCRIPTION	DATE	ECO	APPR
-	RELEASE TO MFG.	-----	-----	-----
E	REDRAWN, ADDED NOTE 1G, 4&5 AND COD, ADD ORIENTAION AND COLORS	10/2/14	50005	EW



CABLE ASSEMBLY TOLERANCE		
OVERALL LENGTH L (mm)	STANDARD TOLERANCE (mm)	ORIENTATION TOLERANCE
35<L<100	± 4	±30°
100<L<200	± 4	±45°
200 < L 500	± 8	
500 < L 1000	± 12	
1000 < L	±1.5 %	



CUSTOMER OUTLINE DRAWING

ALL OTHER SHEETS ARE FOR INTERNAL USE ONLY

AMC RIGHT ANGLE PLUG

UNLESS OTHERWISE SPECIFIED, DIMENSIONS ARE IN METRIC AND TOLERANCES ARE:
 <0.5mm ±0.05mm 0.5 - 6mm ±0.1mm 6 - 30mm ±0.2mm 30 - 120mm ±0.3mm ANGLES ±1°

NOTICE - These drawings, specifications, or other data (1) are, and remain the property of Amphenol corp. (2) must be returned upon request; and (3) are confidential and not to be disclosed to any person other than those to whom they are given by Amphenol Corp. the furnishing of these drawings, specifications, or other data by Amphenol Corp., or to any other person to anyone for any purpose is not to be regarded by implication or otherwise in any manner licensing, granting rights to permitting such holder or any other person to manufacture, use or sell any product, process or design, patented or otherwise, that may in any way be related to or disclosed by said drawings, specifications, or other data.

MATERIAL	-
REFERENCE	EAR # 1434 AND
CONFIGURATION LEVEL:	<input type="checkbox"/> <input type="checkbox"/>
FINISH	

DRAWN	SUNDE	DATE	25-Nov-14
ENGINEER	E WANKOFF	DATE	19-May-14
APPROVED	HARRY	DATE	25-Nov-14
CAD FILE			

TITLE	
CABLE ASSY AMC, PLUG	
SCALE: 8.0:1.0	SHEET 2 OF 2
DWG SIZE	REV
B	E

Amphenol RF	
www.amphenolrf.com	
DRAWING NO. A-IPAXI37-XXXXYZ	
ITEM NO. A-IPAXI37-XXXXYZ	
PART NO. A-IPAXI37-XXXXYZ	