



Chipsmall Limited consists of a professional team with an average of over 10 year of expertise in the distribution of electronic components. Based in Hongkong, we have already established firm and mutual-benefit business relationships with customers from,Europe,America and south Asia,supplying obsolete and hard-to-find components to meet their specific needs.

With the principle of “Quality Parts,Customers Priority,Honest Operation,and Considerate Service”,our business mainly focus on the distribution of electronic components. Line cards we deal with include Microchip,ALPS,ROHM,Xilinx,Pulse,ON,Everlight and Freescale. Main products comprise IC,Modules,Potentiometer,IC Socket,Relay,Connector.Our parts cover such applications as commercial,industrial, and automotives areas.

We are looking forward to setting up business relationship with you and hope to provide you with the best service and solution. Let us make a better world for our industry!



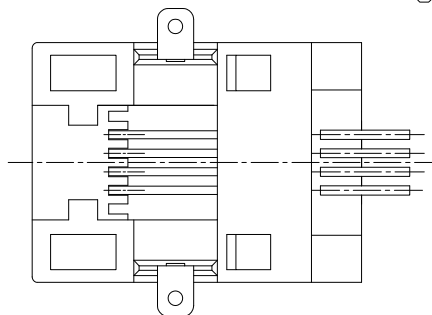
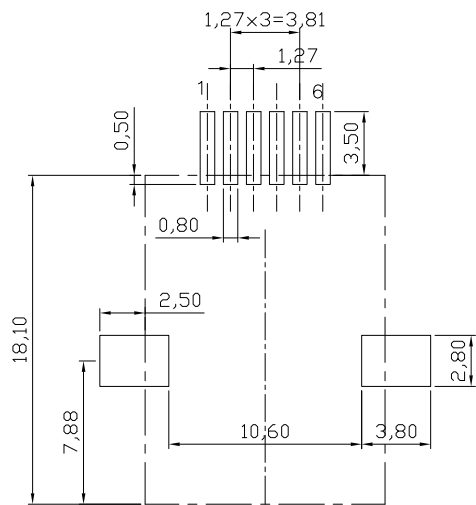
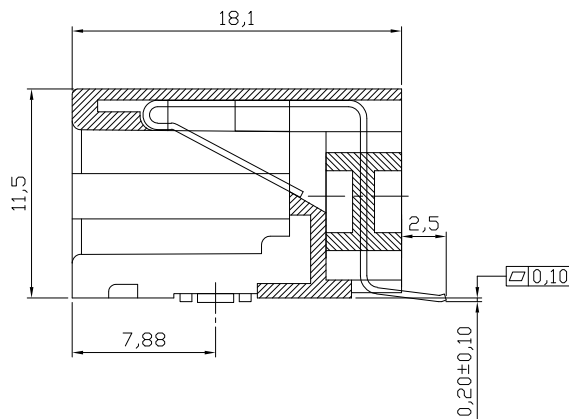
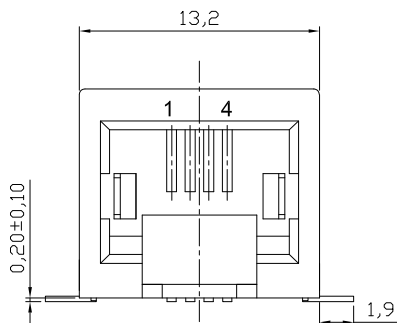
Contact us

Tel: +86-755-8981 8866 Fax: +86-755-8427 6832

Email & Skype: info@chipsmall.com Web: www.chipsmall.com

Address: A1208, Overseas Decoration Building, #122 Zhenhua RD., Futian, Shenzhen, China





NOTES:

Mechanical:

1. Housing material : High Temp. UL94V-0 , Color: Black
2. Contact material: Phosphor Bronze t=0.35mm
3. Contact plating: 6u" Gold on contact area
Tin on solder side all over Nickel
4. Operating Life: 750 Cycles min.
5. PCB Retention Post-solder: 10 LBS min.

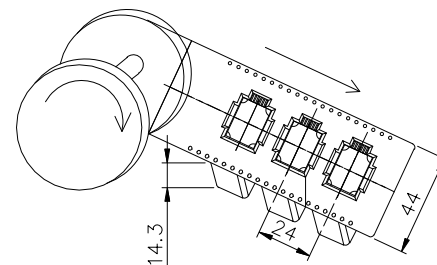
Electrical:

1. Voltage Rating: 125VAC.
2. Current Rating: 1.5AMP.
3. Contact Resistance: 35mΩ max.
4. Insulation Resistance: 1000MΩ min. @ 500 VDC
5. Dielectric Strength: 1000 VAC 60Hz, 1 min.

Environmental:

1. Storage: -40°C To +85°C
2. Operation: -40°C~+85°C
3. IR Reflow Soldering Temp: 255°C~265°C(5~10S)

Packing: 150pcs/Tape reel, 1500pcs/Carton



PCB Layout Component Side Shown(6P4C)

RoHS compliant
Unit:mm

Scale	Free						Date	Name	Customer-No.
TOLERANCE						Drawn	27.05.2013	Amy	
X.X	±0.20					Approved	27.05.2013	Amy	ASSMANN WSW-No.
X.XX	±0.15								A-2004-0-4-LP/SMT-A
X.XXX	±0.10								Drawing-No.
DIM	TOL								ASS 5689 CO
		①	Drawn	27.05.2013	Amy	ASSMANN WSW components			rev00
Angle	±5°	Id.	Modification	Date	Name			Replace	SHEET



ASS 5689 CO

rev00

Replace

SHEET