



Chipsmall Limited consists of a professional team with an average of over 10 year of expertise in the distribution of electronic components. Based in Hongkong, we have already established firm and mutual-benefit business relationships with customers from,Europe,America and south Asia,supplying obsolete and hard-to-find components to meet their specific needs.

With the principle of “Quality Parts,Customers Priority,Honest Operation,and Considerate Service”,our business mainly focus on the distribution of electronic components. Line cards we deal with include Microchip,ALPS,ROHM,Xilinx,Pulse,ON,Everlight and Freescale. Main products comprise IC,Modules,Potentiometer,IC Socket,Relay,Connector.Our parts cover such applications as commercial,industrial, and automotives areas.

We are looking forward to setting up business relationship with you and hope to provide you with the best service and solution. Let us make a better world for our industry!



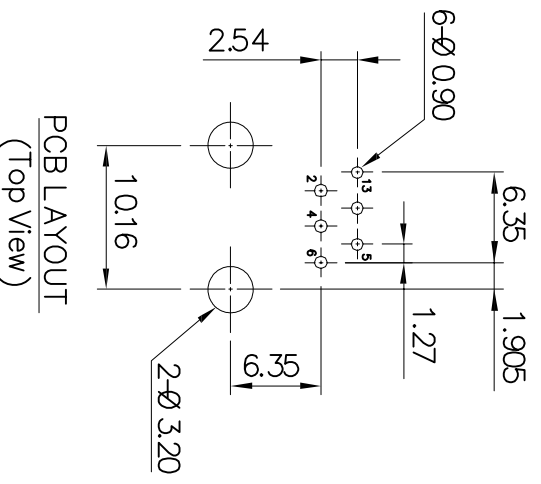
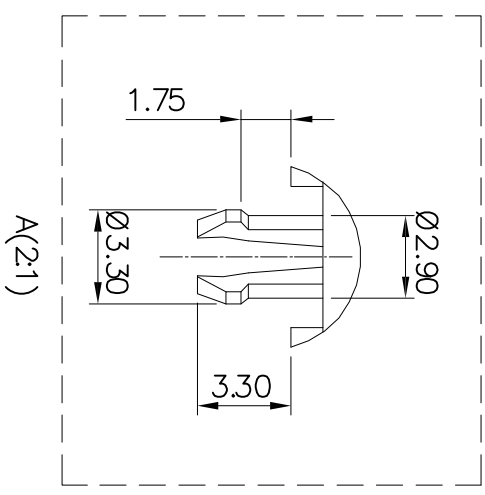
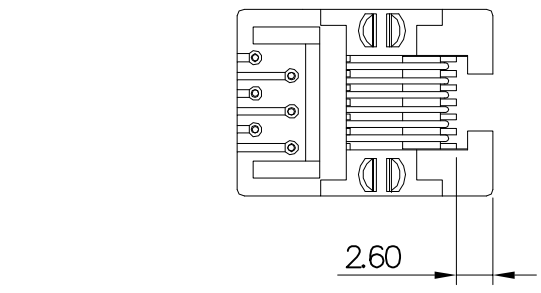
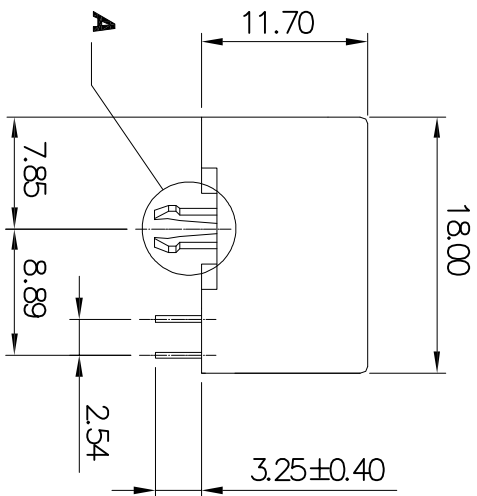
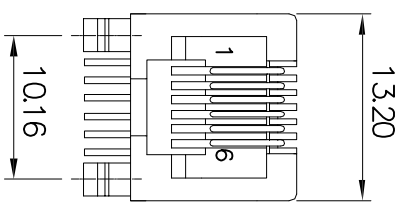
Contact us

Tel: +86-755-8981 8866 Fax: +86-755-8427 6832

Email & Skype: info@chipsmall.com Web: www.chipsmall.com

Address: A1208, Overseas Decoration Building, #122 Zhenhua RD., Futian, Shenzhen, China





Specification:
 1. Electrical Char
 Insulation Resistance: 500MΩ min, 500V DC for 1 minute
 Contact Resistance: 20mΩ max.
 Rating Current: 1.5A max.
 Rating Voltage: 120V AC
 Dielectric Voltage: 1000 Vrms at 1MA 60 sec. min.

2. Physical Char
 Housing: PBT Glass filled (UL 94V-0) Color: Black
 Soldering Temperature: 235°C for 5 sec.
 Spring Wire: 0.45mm Dia Phosphor Bronze
 6u" Gold plating over Nickel
 Temperature Range: -40°C to +85°C
 Durability: 550 mating cycles min.

3. Packing: Tray

RoHS compliant
 Unit:mm

Scale	Free						
TOLERANCE							
.XX	±0.20					Drawn	04.08.2016
.XXX	±0.13					Approved	04.08.2016
.XXXX	±0.05						
DIM	TOL						
Angle	+0°30'	Id.	①	Drawn	Winnie		
		Modification		Date	04.08.2016	Name	Winnie

Customer-No.	Name	Date	Name
	Winnie	04.08.2016	Winnie
	Winnie	04.08.2016	Winnie

ASSMANN WSW-No. A-2004-1-4-LP-N-R

ASSMANN WSW components

ASS 7320 CO rev00

Replace SHEET

1	2	3	4	5	6	7
1	2	3	4	5	6	7
H	G	F	E	D	C	B
H	G	F	E	D	C	B
H	G	F	E	D	C	B