



Chipsmall Limited consists of a professional team with an average of over 10 year of expertise in the distribution of electronic components. Based in Hongkong, we have already established firm and mutual-benefit business relationships with customers from,Europe,America and south Asia,supplying obsolete and hard-to-find components to meet their specific needs.

With the principle of “Quality Parts,Customers Priority,Honest Operation,and Considerate Service”,our business mainly focus on the distribution of electronic components. Line cards we deal with include Microchip,ALPS,ROHM,Xilinx,Pulse,ON,Everlight and Freescale. Main products comprise IC,Modules,Potentiometer,IC Socket,Relay,Connector.Our parts cover such applications as commercial,industrial, and automotives areas.

We are looking forward to setting up business relationship with you and hope to provide you with the best service and solution. Let us make a better world for our industry!



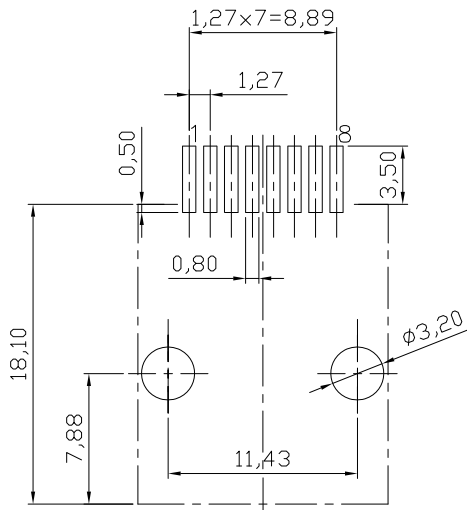
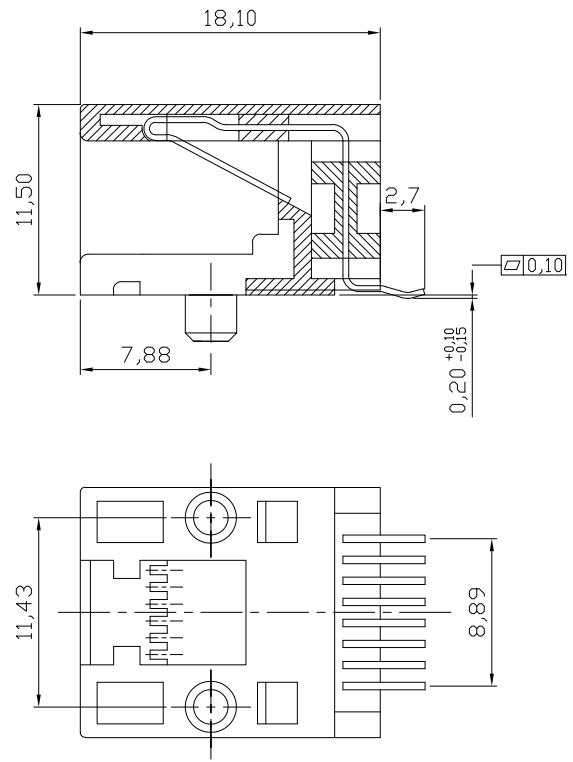
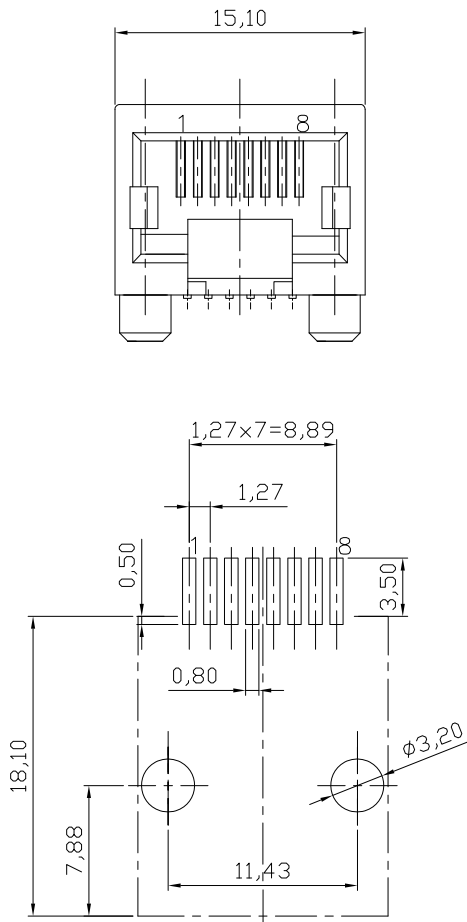
## Contact us

Tel: +86-755-8981 8866 Fax: +86-755-8427 6832

Email & Skype: info@chipsmall.com Web: www.chipsmall.com

Address: A1208, Overseas Decoration Building, #122 Zhenhua RD., Futian, Shenzhen, China





PC Board Layout  
Component Side Shown

**NOTES:**  
**Mechanical:**  
 1. Housing material : High Temp. Polyester UL94V-0 , Color: Black  
 2. Contact material: Phosphor Bronze t=0.35mm  
 3. Contact plating: Contact area---Selective gold plating  
 Tails---Tin plated all over 50u" Nickel  
 4. Operating Life: 750 Cycles min.  
 5. PCB Retention Post-solder: 10 LBS min.  
**Electrical:**  
 1. Voltage Rating: 125VAC.  
 2. Current Rating: 1.5AMP.  
 3. Contact Resistance: 35mΩ max.  
 4. Insulation Resistance: 1000MΩ min. @ 500 VDC  
 5. Dielectric Strength: 1000 VAC 60Hz, 1 min.  
**Environmental:**  
 1. Storage: -40°C To +85°C  
 2. Operation: -40°C~+85°C  
 3. IR Reflow Soldering Temp: 255°C~265°C(5~10S)

Packing: 130pcs/Tape reel, 1300pcs/Carton

Order code: A-2004-2-X-LP/SMT

Contact plating:  
 1: Selective 15u" gold  
 2: Selective 30u" gold  
 3: Selective 50u" gold  
 4: Selective 6u" gold

**RoHS compliant**  
Unit:mm

Scale	Free					Date	Name	Customer-No.
TOLERANCE						Drawn	27.05.2013	Amy
X.X	±0.20					Approved	22.04.2014	Amy
X.XX	±0.15							
X.XXX	±0.10							
DIM	TOL	①	Add tape reel packing on page 2	22.04.2014	Amy			
		②	Drawn	27.05.2013	Amy			
Angle	±5°	Id.	Modification	Date	Name	Replace		SHEET 1 / 2

Customer-No.  
 ASSMANN WSW-No.  
**A-2004-2-X-LP/SMT**

Drawing-No.  
**ASS 5696 CO** rev01  
 SHEET 1 / 2

1

2

3

4

5

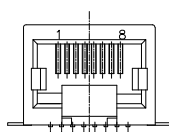
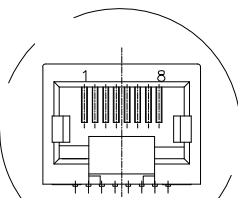
6

7

A

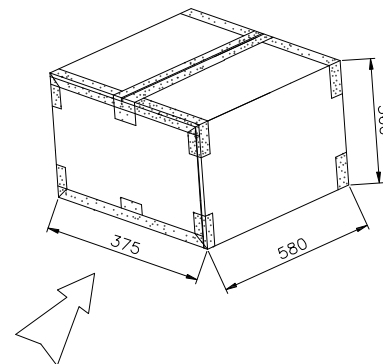
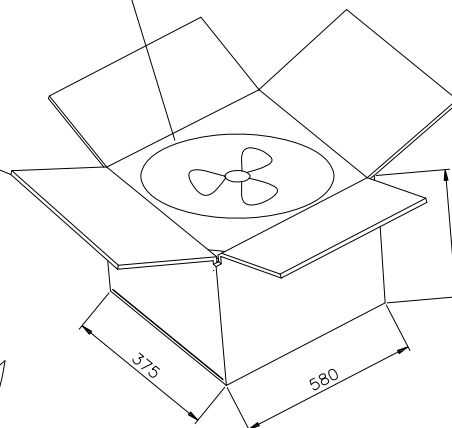
A

1.PRODUCT 1PCS



1.SIDE ENTRY SMT 8P8C JACK  
150 PCS/REEL  
1500PCS/CARTON

2.CARTON



B

B

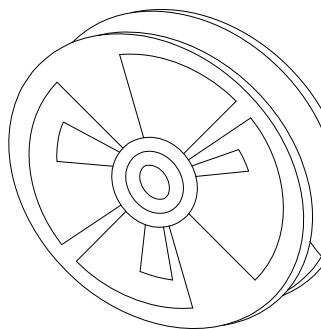
C

C

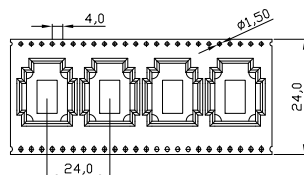
D

D

3.TAPE REEL



Keep each 5pcs blank  
on front and tail



E

E

F

F

**RoHS compliant**  
Unit:mm

Scale	Free						Date	Name	Customer-No.	
TOLERANCE						Drawn	27.05.2013	Amy	ASSMANN WSW-No. A-2004-2-X-LP/SMT	
X.X	±0.20					Approved	22.04.2014	Amy		
X.XX	±0.15									
X.XXX	±0.10									
DIM	TOL	①	Add tape reel packing on page 2	22.04.2014	Amy	<b>ASSMANN</b> WSW components			Drawing-No.	
		②	Drawn	27.05.2013	Amy				ASS 5696 CO	rev01
Angle	±5°	Id.	Modification	Date	Name				Replace	SHEET 2 / 2

G

G

H

H

1

2

3

4

5

6

7