



Chipsmall Limited consists of a professional team with an average of over 10 year of expertise in the distribution of electronic components. Based in Hongkong, we have already established firm and mutual-benefit business relationships with customers from,Europe,America and south Asia,supplying obsolete and hard-to-find components to meet their specific needs.

With the principle of “Quality Parts,Customers Priority,Honest Operation,and Considerate Service”,our business mainly focus on the distribution of electronic components. Line cards we deal with include Microchip,ALPS,ROHM,Xilinx,Pulse,ON,Everlight and Freescale. Main products comprise IC,Modules,Potentiometer,IC Socket,Relay,Connector.Our parts cover such applications as commercial,industrial, and automotives areas.

We are looking forward to setting up business relationship with you and hope to provide you with the best service and solution. Let us make a better world for our industry!



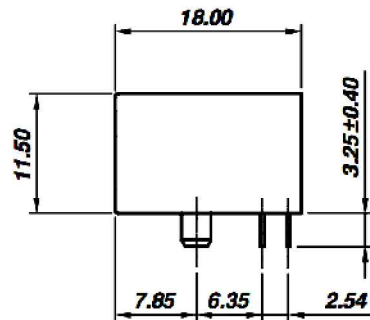
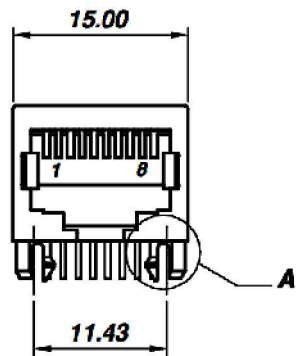
Contact us

Tel: +86-755-8981 8866 Fax: +86-755-8427 6832

Email & Skype: info@chipsmall.com Web: www.chipsmall.com

Address: A1208, Overseas Decoration Building, #122 Zhenhua RD., Futian, Shenzhen, China





SPECIFICATION :

1. Electrical Char.

Insulation Resistance : 500M-Ohm Min. 500V DC. for 1 minute.
 Contact Resistance : 20milli-ohm Max.
 Rating Current : 1.5A Max.
 Rating Voltage : 120V AC.
 Dielectric Voltage : 1,000 Vrms at 1MA 60 Sec. Min.

2. Physical char.

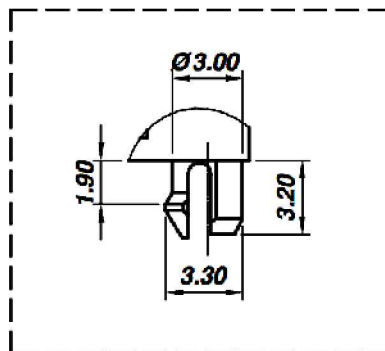
Housing(Optional) :

PBT Glass Filled (UL 94V-0),Soldering Temperature:235°C for 5 Sec.
 Nylon (UL 94V-0),Soldering Temperature:260°C for 5 Sec.

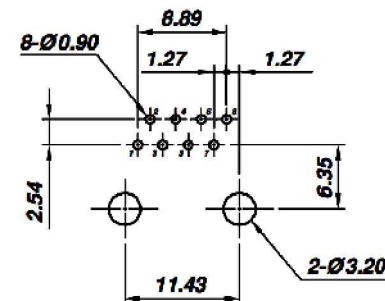
Color : Black Color

Spring Wire :

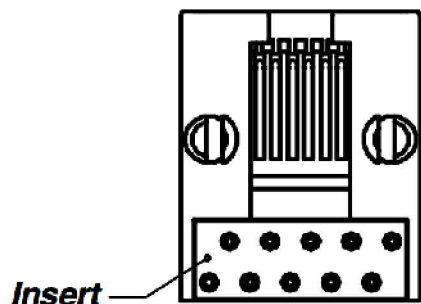
0.45mm Dia Phosphor Bronze Gold Plating Over Nickel
 Temperature Range : -40°C /+85°C
 Durability : 500 Mating cycles Min.



A(2:1)



PCB LAYOUT
(Top View)



Insert

Scale	FREE					Date	Name	Customer-No.
TOLERANCE					Drawn	08.06.2016	Joanna	
X.	±1				Approved	08.06.2016	Joanna	ASSMANN WSW-No.
.XX	±0.25							A-2004-2-4-LP-N-R
.XXX	±0.13							Drawing-No.
.XXXX	±0.05							ASS 7273 CO
		Ⓢ	Drawn	08.06.2016	Joanna			rev00
Angle	TOL	Id.	Modification	Date	Name			Replace

RoHS compliant
Unit: mm

