



Chipsmall Limited consists of a professional team with an average of over 10 year of expertise in the distribution of electronic components. Based in Hongkong, we have already established firm and mutual-benefit business relationships with customers from,Europe,America and south Asia,supplying obsolete and hard-to-find components to meet their specific needs.

With the principle of "Quality Parts,Customers Priority,Honest Operation,and Considerate Service",our business mainly focus on the distribution of electronic components. Line cards we deal with include Microchip,ALPS,ROHM,Xilinx,Pulse,ON,Everlight and Freescale. Main products comprise IC,Modules,Potentiometer,IC Socket,Relay,Connector.Our parts cover such applications as commercial,industrial, and automotives areas.

We are looking forward to setting up business relationship with you and hope to provide you with the best service and solution. Let us make a better world for our industry!



Contact us

Tel: +86-755-8981 8866 Fax: +86-755-8427 6832

Email & Skype: info@chipsmall.com Web: www.chipsmall.com

Address: A1208, Overseas Decoration Building, #122 Zhenhua RD., Futian, Shenzhen, China



1 2 3 4 5 6 7

A

B

C

D

E

F

G

H

A

B

C

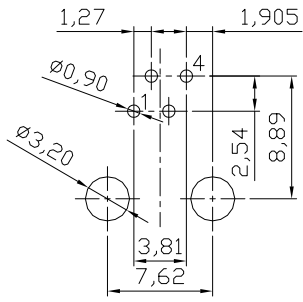
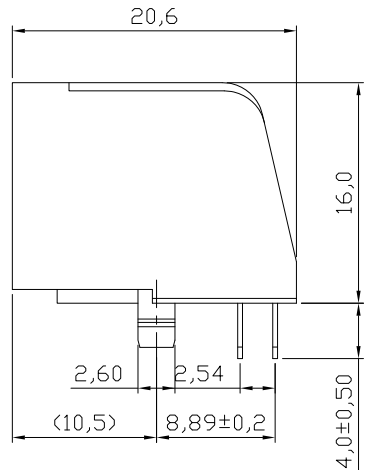
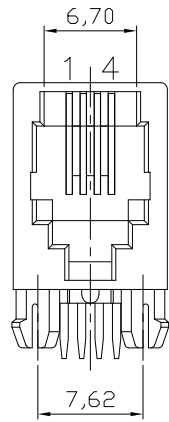
D

E

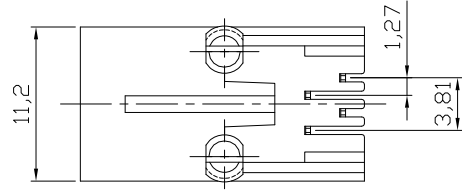
F

G

H



PC Board Layout
Component Side Shown



NOTES:

Mechanical:

- 1. Housing material : Glass Filled Polyester UL94V-0 , Color: Black
- 2. Contact material: Phosphor Bronze t=0.35mm
- 3. Contact plating: Contact area---Selective gold plating
Tails---Tin plated all over 50u" Nickel
- 4. Operating Life: 750 Cycles min.
- 5. PCB Retention Pre-solder: 1 LB min.
- 6. PCB Retention Post-solder: 10 LBS min.

Electrical:

- 1. Voltage Rating: 125VAC.
- 2. Current Rating: 1.5AMP.
- 3. Contact Resistance: 50mΩ max.
- 4. Insulation Resistance: 500MΩ min. @ 1000 VDC
- 5. Dielectric Strength: 1000 VAC RMS 60Hz, 1 min.

Environmental:

- 1. Storage: -40°C To +85°C
- 2. Operation: -40°C~+85°C
- 3. Wave Soldering Temp: 200~220°C(5~10S)

Packing: 120pcs/Tray, 2640pcs/Carton

Order code: A-2004-3-X-N

Contact plating:

- 1: selective 15u" gold
- 2: selective 30u" gold
- 3: selective 50u" gold
- 4: selective 6u" gold

RoHS compliant
Unit:mm

Scale	Free						Date	Name	Customer-No.
TOLERANCE						Drawn	27.05.2013	Amy	
X.X	±0.20					Approved	27.05.2013	Amy	
X.XX	±0.15								
X.XXX	±0.10								
DIM	TOL								
		①	Drawn		27.05.2013	Amy			
Angle	±5°	Id.	Modification		Date	Name			

Customer-No.

ASSMANN WSW-No.
A-2004-3-X-N



Drawing-No.
ASS 5698 CO rev00
Replace SHEET

1 2 3 4 5 6 7