



Chipsmall Limited consists of a professional team with an average of over 10 year of expertise in the distribution of electronic components. Based in Hongkong, we have already established firm and mutual-benefit business relationships with customers from,Europe,America and south Asia,supplying obsolete and hard-to-find components to meet their specific needs.

With the principle of “Quality Parts,Customers Priority,Honest Operation,and Considerate Service”,our business mainly focus on the distribution of electronic components. Line cards we deal with include Microchip,ALPS,ROHM,Xilinx,Pulse,ON,Everlight and Freescale. Main products comprise IC,Modules,Potentiometer,IC Socket,Relay,Connector.Our parts cover such applications as commercial,industrial, and automotives areas.

We are looking forward to setting up business relationship with you and hope to provide you with the best service and solution. Let us make a better world for our industry!



## Contact us

Tel: +86-755-8981 8866 Fax: +86-755-8427 6832

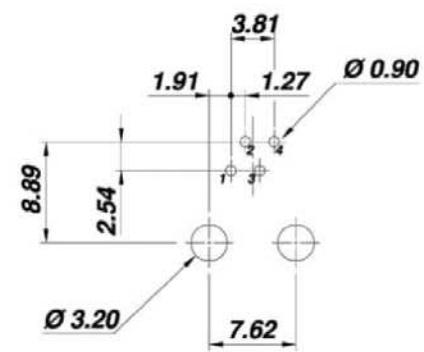
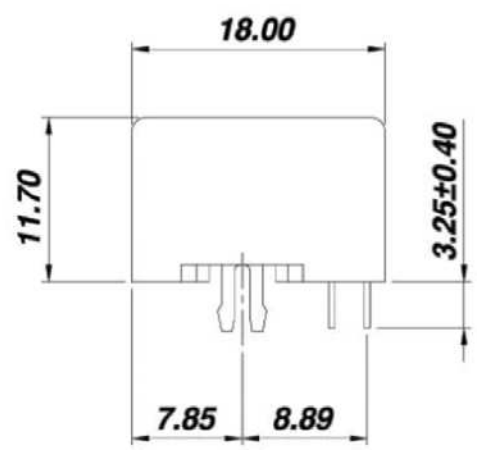
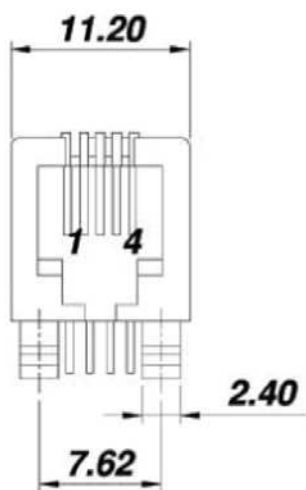
Email & Skype: info@chipsmall.com Web: www.chipsmall.com

Address: A1208, Overseas Decoration Building, #122 Zhenhua RD., Futian, Shenzhen, China

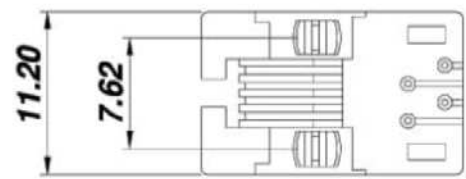


A  
B  
C  
D  
E  
F  
G  
H

A  
B  
C  
D  
E  
F  
G  
H



**PCB LAYOUT**  
*(Top View)*



**Materials:**

- Insulator: P.B.T. Glass Filled, UL94V-0  
- Soldering Temperature: 235°C
- Spring Wire: 0.45MM Dia. Phosphor Bronze  
Gold Plating over Nickel
- Color: Black

**Electrical:**

- Insulation Resistance: 500MΩ Min.
- Contact Resistance: 20MΩ Max.
- Rating Current: 1.5A Max.
- Rating Voltage: 120V AC
- Dielectric Withstanding: 1,000V AC at 1 Minute
- Operating Temperature: -40°C ~ +85°C
- Durability: 500 Mating cycles Min.



|           |       |              |      |      |          |          |  |
|-----------|-------|--------------|------|------|----------|----------|--|
| Scale     | 1:1   |              |      |      |          | Name     | Item No.   |
| TOLERANCE |       |              |      |      | Drawn    | 12.20.11 | <b>A-2004-3-4-LP-N</b>   |
| X.X       | ±0.40 |              |      |      | Approved |          |  |
| X.XX      | ±0.25 |              |      |      |          |          | <b>Title</b><br>Modular Jack, Low Profile, 4P4C, 90°, Side Entry, 6µ", Black, PBT Glass Filled |
| X.XXX     | ±0.15 |              |      |      |          |          | Drawing No.  |
| Angle     | ±3°   |              |      |      |          |          | <b>rev00</b>   |
|           |       |              |      |      |          |          | Replace  |
|           |       |              |      |      |          |          | Sheet  |
|           |       | Modification | Date | Name |          |          |  |
|           |       |              |      |      |          |          |  |