



Chipsmall Limited consists of a professional team with an average of over 10 year of expertise in the distribution of electronic components. Based in Hongkong, we have already established firm and mutual-benefit business relationships with customers from,Europe,America and south Asia,supplying obsolete and hard-to-find components to meet their specific needs.

With the principle of "Quality Parts,Customers Priority,Honest Operation,and Considerate Service",our business mainly focus on the distribution of electronic components. Line cards we deal with include Microchip,ALPS,ROHM,Xilinx,Pulse,ON,Everlight and Freescale. Main products comprise IC,Modules,Potentiometer,IC Socket,Relay,Connector.Our parts cover such applications as commercial,industrial, and automotives areas.

We are looking forward to setting up business relationship with you and hope to provide you with the best service and solution. Let us make a better world for our industry!



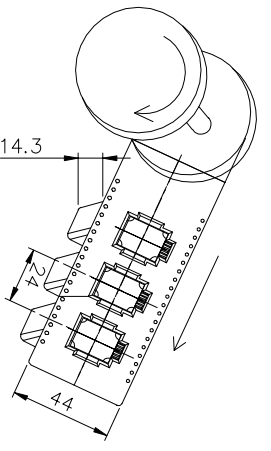
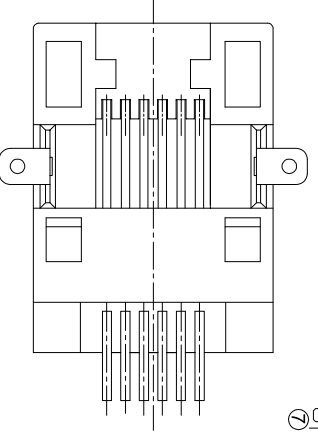
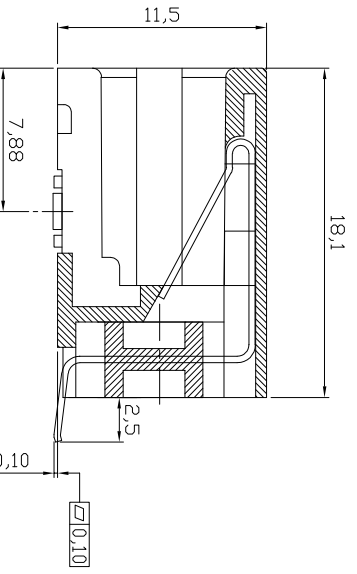
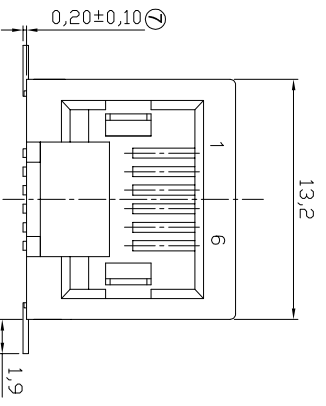
Contact us

Tel: +86-755-8981 8866 Fax: +86-755-8427 6832

Email & Skype: info@chipsmall.com Web: www.chipsmall.com

Address: A1208, Overseas Decoration Building, #122 Zhenhua RD., Futian, Shenzhen, China





PCB Layout Component Side Shown

- NOTES:
- Mechanical:
- Housing material : PA9T UL94V-0 , Color: Black
 - Contact material: Phosphor Bronze $\pm 0.35\text{mm}$
 - Contact plating: 6u" Gold on contact area 100~200u" Tin on solder area all over 30~50u" Nickel
 - Operating Life: 750 Cycles min.
 - PCB Retention Post-solder: 10 LBS min.
- Electrical:
- Voltage Rating: 125VAC.
 - Current Rating: 1.5AMP.
 - Contact Resistance: 35m Ω max.
 - Insulation Resistance: 1000M Ω min. @ 500 VDC
 - Dielectric Strength: 1000 VAC 60Hz, 1 min.
- Environmental:
- Storage: -40°C To +85°C
 - Operation: -40°C~+85°C
 - IR Reflow Soldering Temp: 255°C~265°C(5~10S)
- ⑦ Packing: 150pcs/Tape reel, 1500pcs/Cartron

RoHS compliant
Unit:mm



File No.: E345352

Scale	Free			Date	Name	Customer-No.		
TOLERANCE				23.03.2005	Hellwig	ASSMANN WSW-No.	A-20041-LP/SMT-A	
X.X	± 0.20	⑥	Update the contact plating	25.08.2015	Amy	Approved	25.08.2015	Amy
X.XX	± 0.15	⑦	Update	27.05.2013	Amy			
X.XXX	± 0.10	⑧	Update	15.07.2009	Dean			
DIM	TOL	⑨	Drawing corrected	18.03.2009	N.Schulz			
Angle	$\pm 5^\circ$	⑩	Modification					

ASSMANN
components

ASSMANN WSW-No. A-20041-LP/SMT-A
Drawing-No. ASS 1050B CO rev08

Replace

SHEET

1 2 3 4 5 6 7

P90