



Chipsmall Limited consists of a professional team with an average of over 10 year of expertise in the distribution of electronic components. Based in Hongkong, we have already established firm and mutual-benefit business relationships with customers from,Europe,America and south Asia,supplying obsolete and hard-to-find components to meet their specific needs.

With the principle of "Quality Parts,Customers Priority,Honest Operation,and Considerate Service",our business mainly focus on the distribution of electronic components. Line cards we deal with include Microchip,ALPS,ROHM,Xilinx,Pulse,ON,Everlight and Freescale. Main products comprise IC,Modules,Potentiometer,IC Socket,Relay,Connector.Our parts cover such applications as commercial,industrial, and automotives areas.

We are looking forward to setting up business relationship with you and hope to provide you with the best service and solution. Let us make a better world for our industry!



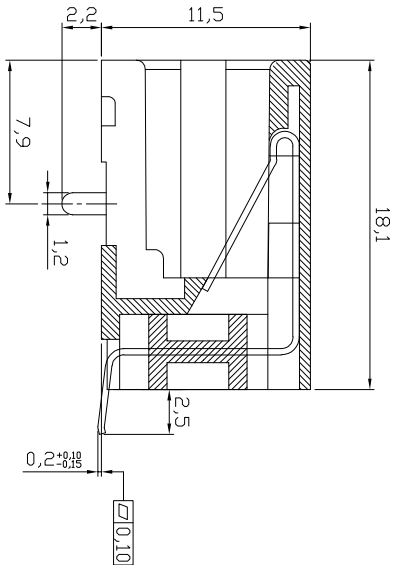
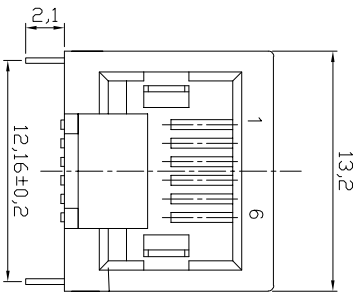
Contact us

Tel: +86-755-8981 8866 Fax: +86-755-8427 6832

Email & Skype: info@chipsmall.com Web: www.chipsmall.com

Address: A1208, Overseas Decoration Building, #122 Zhenhua RD., Futian, Shenzhen, China





- NOTES:
- Mechanical:
- Housing material : High Temp. UL94V-0 , Color: Black
 - Contact material: Phosphor Bronze t=0,35mm
 - Contact plating: 6u" Gold on contact area
100~200u" Tin on solder area
all over 30~50u" Nickel

- Operating Life: 750 Cycles min.
- PCB Retention Post-solder: 10 LBS min.

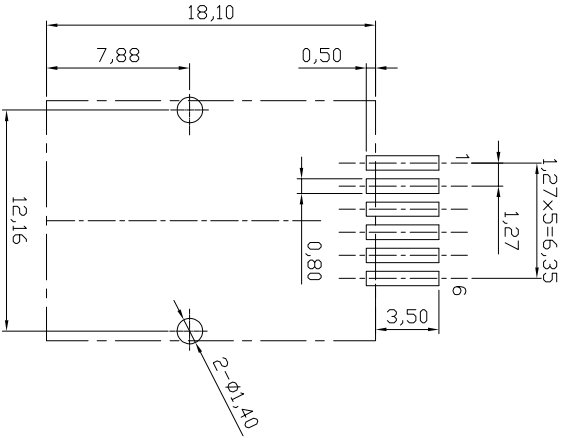
Electrical:

- Voltage Rating: 125VAC.
- Current Rating: 1.5AMP.
- Contact Resistance: 35mΩ max.
- Insulation Resistance: 1000MΩ min. @ 500 VDC
- Dielectric Strength: 1000 VAC 60Hz, 1 min.

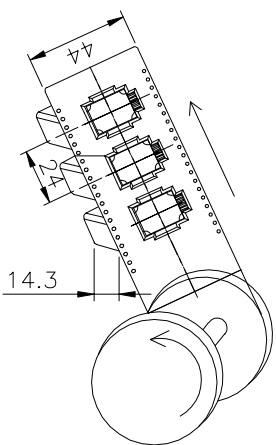
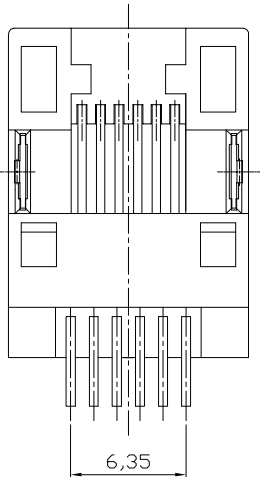
Environmental:

- Storage: -40°C To +85°C
- Operation: -40°C~+85°C
- IR Reflow Soldering Temp: 255°C~265°C(5~10S)

- ③ Packing: 150pcs/Tape reel, 1500pcs/Cartron



PCB Layout Component Side Shown



RoHS compliant

Unit:mm



File No.: E345352

Scale	Free			Date	Name	Customer-No.		
TOLERANCE				15.07.2009	Dean			
X.X	±0.20							
X.XX	±0.15	④	Update the contact plating	25.08.2015	Amy			
X.XXX	±0.10	③	Update	27.05.2013	Amy			
DIM	TOL	②	Update drawing	23.08.2011	Jason			
		①	Drawn	15.07.2009	Dean			
Angle	±5°	Id.	Modification	Date	Name			

ASSMANN
components

ASS 1052A CO

rev04

Replace

SHEET

Drawing-No.

ASSMANN WSW-No. A-20041-LP/SMT-C

1

2

3

4

5

6

7

1

2

3

4

5

6

7

A

B

C

D

E

F

G

H