



Chipsmall Limited consists of a professional team with an average of over 10 year of expertise in the distribution of electronic components. Based in Hongkong, we have already established firm and mutual-benefit business relationships with customers from,Europe,America and south Asia,supplying obsolete and hard-to-find components to meet their specific needs.

With the principle of “Quality Parts,Customers Priority,Honest Operation,and Considerate Service”,our business mainly focus on the distribution of electronic components. Line cards we deal with include Microchip,ALPS,ROHM,Xilinx,Pulse,ON,Everlight and Freescale. Main products comprise IC,Modules,Potentiometer,IC Socket,Relay,Connector.Our parts cover such applications as commercial,industrial, and automotives areas.

We are looking forward to setting up business relationship with you and hope to provide you with the best service and solution. Let us make a better world for our industry!



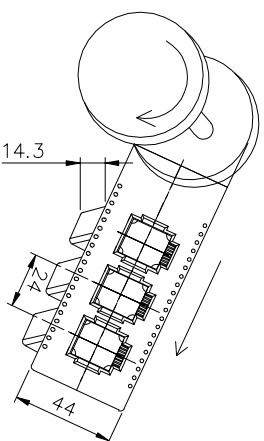
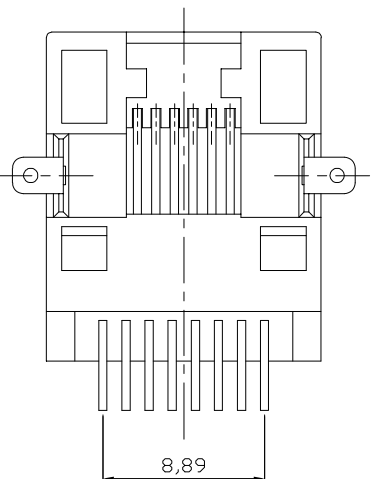
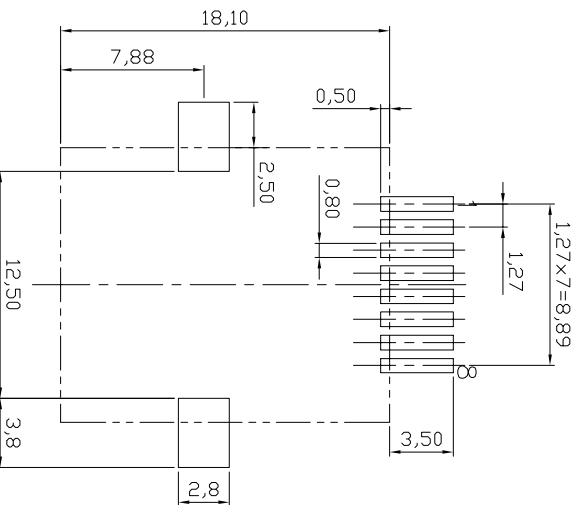
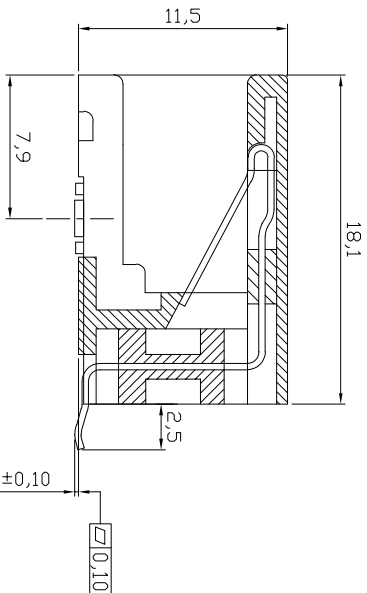
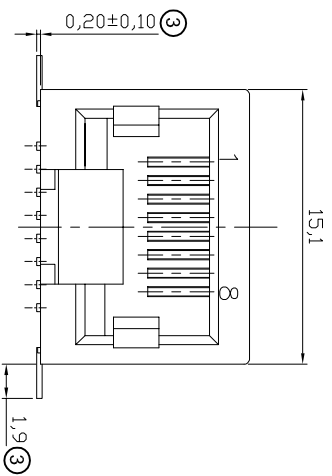
Contact us

Tel: +86-755-8981 8866 Fax: +86-755-8427 6832

Email & Skype: info@chipsmall.com Web: www.chipsmall.com

Address: A1208, Overseas Decoration Building, #122 Zhenhua RD., Futian, Shenzhen, China






- NOTES:**
- Mechanical:**
- Housing material : PA9T UL94V-0 , Color: Black
 - Contact material: Phosphor Bronze t=0.35mm
 - Contact plating: 6u" Gold on contact area
100~200u" Tin on solder area
all over 30~50u" Nickel
 - Operating Life: 750 Cycles min.
 - PCB Retention Post-solder: 10 LBS min.
- Electrical:**
- Voltage Rating: 125VAC.
 - Current Rating: 1.5AMP.
 - Contact Resistance: 35mΩ max.
 - Insulation Resistance: 1000MΩ min. @ 500 VDC
 - Dielectric Strength: 1000 VAC 60Hz, 1 min.
- Environmental:**
- Storage: -40°C To +85°C
 - Operation: -40°C~+85°C
 - IR Reflow Soldering Temp.: 255°C~265°C(5~10S)

Packing: Tape reel

② Qty: 150pcs per reel

RoHS compliant
Unit:mm



File No.: E345352

Scale	Free			Date	Name
TOLERANCE				Drawn	Dean
X.X	±0.20	④	Update the contact plating	25.08.2015	Amy
X.XX	±0.15	③	Update	27.05.2013	Amy
X.XXX	±0.10	②	Changed the packing quantity	29.10.2010	Rate
DIM	TOL	①	Drawn	15.07.2009	Dean
Angle	±5°	Id.	Modification	Date	Name

ASSMANN
components

Customer-No. ASSMANN WSW-No. A-20042-LP/SMT-A
Drawing-No. ASS 1050C CO rev04
Replace SHEET

1 2 3 4 5 6 7

H G F E D C B A