



Chipsmall Limited consists of a professional team with an average of over 10 year of expertise in the distribution of electronic components. Based in Hongkong, we have already established firm and mutual-benefit business relationships with customers from,Europe,America and south Asia,supplying obsolete and hard-to-find components to meet their specific needs.

With the principle of "Quality Parts,Customers Priority,Honest Operation,and Considerate Service",our business mainly focus on the distribution of electronic components. Line cards we deal with include Microchip,ALPS,ROHM,Xilinx,Pulse,ON,Everlight and Freescale. Main products comprise IC,Modules,Potentiometer,IC Socket,Relay,Connector.Our parts cover such applications as commercial,industrial, and automotives areas.

We are looking forward to setting up business relationship with you and hope to provide you with the best service and solution. Let us make a better world for our industry!



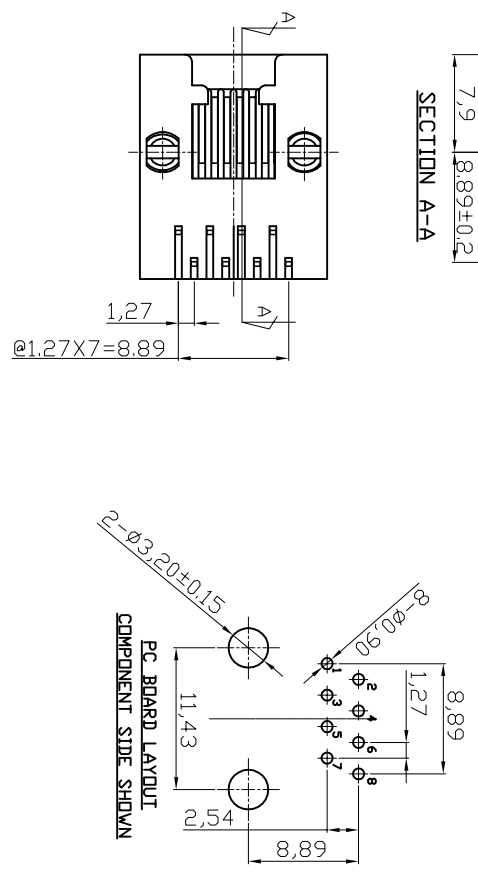
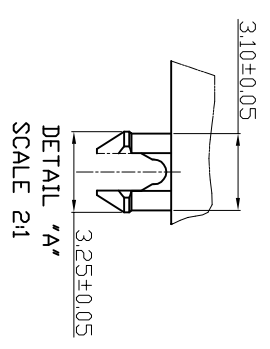
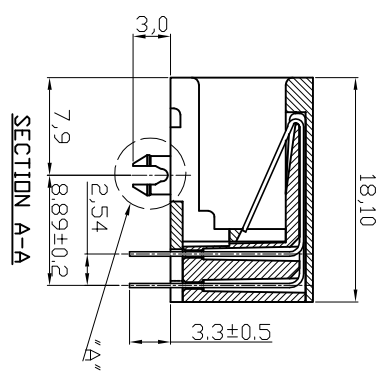
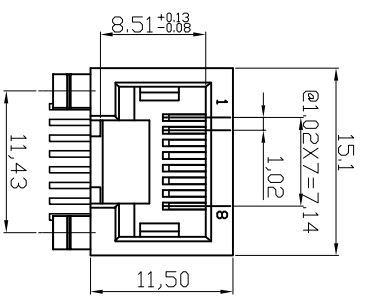
Contact us

Tel: +86-755-8981 8866 Fax: +86-755-8427 6832

Email & Skype: info@chipsmall.com Web: www.chipsmall.com

Address: A1208, Overseas Decoration Building, #122 Zhenhua RD., Futian, Shenzhen, China





- ELECTRICAL:**
- VOLTAGE RATING : 125 VAC.
 - CURRENT RATING : 1.5 AMP.
 - CONTACT RESISTANCE : 35 MILLIOHMS MAX.
 - INSULATION RESISTANCE : 1000 MEGOHMS MIN. @ 500 VDC.
 - DIELECTRIC STRENGTH : 1000 VAC 60HZ, 1MIN.

- MECHANICAL:**
- HOUSING MATERIAL : HIGH TEMP. UL 94V-0.
 - CONTACT MATERIAL : PHOSPHOR BRONZE t=0.35mm, 6µ" GOLD ON CONTACT AREA
 - PLATING : 100~200µ" TIN ON SOLDER AREA ALL OVER 30~50µ" NICKEL, 750 CYCLES MIN.
 - OPERATING LIFE
 - PCB RETENTION PRE-SOLDER : 1 LB MIN.
 - PCB RETENTION POST-SOLDER : 10 LBS MIN.
- ENVIRONMENTAL:**
- STORAGE : -40°C TO +85°C.
 - OPERATION : -40°C TO +85°C.
- MATES WITH MODULAR PLUG CONFORMING TO FCC PART 68, SUBPART F.

RoHS compliant
Unit: mm

Scale	Free						
TOLERANCE							
.X	±0.20						
.XX	±0.15	④ Update the contact plating		25.08.2015		Amy	
.XXX	±0.10	③ Update		02.07.2009		Dean	
DIM	TOL	② Detail A added		15.08.2008		N.Schulz	
Angle	±5°	① Drawn		25.09.2008		N.Schulz	
		Id.		Modification		Date	

Date	Name	Date	Name
12.08.2008	N.Schulz	25.08.2015	Amy

Customer-No.	ASSMANN WSW-No.	A-20042/LP
Drawing-No.	ASS 2729 CO	rev04
Replace	SHEET	



1	2	3	4	5	6	7	A
1	2	3	4	5	6	7	H