



Chipsmall Limited consists of a professional team with an average of over 10 year of expertise in the distribution of electronic components. Based in Hongkong, we have already established firm and mutual-benefit business relationships with customers from,Europe,America and south Asia,supplying obsolete and hard-to-find components to meet their specific needs.

With the principle of “Quality Parts,Customers Priority,Honest Operation,and Considerate Service”,our business mainly focus on the distribution of electronic components. Line cards we deal with include Microchip,ALPS,ROHM,Xilinx,Pulse,ON,Everlight and Freescale. Main products comprise IC,Modules,Potentiometer,IC Socket,Relay,Connector.Our parts cover such applications as commercial,industrial, and automotives areas.

We are looking forward to setting up business relationship with you and hope to provide you with the best service and solution. Let us make a better world for our industry!



Contact us

Tel: +86-755-8981 8866 Fax: +86-755-8427 6832

Email & Skype: info@chipsmall.com Web: www.chipsmall.com

Address: A1208, Overseas Decoration Building, #122 Zhenhua RD., Futian, Shenzhen, China



PRODUCT NUMBER
20020002-XXXXXXLF

20020002 - [] [] [] [] [] [] [] LF

PITCH

G: 5.00 mm
H: 5.08 mm

POLES

02: 2 poles
03: 3 poles
04: 4 poles
|
|
24: 24 poles

LF : DENOTED RoHS COMPATIBLE

1 : STANDARD PRODUCT
W/ BOX PACKING

SCREW CODE

CODE	SCREW TYPE	AVAILABILITY
A	-/+	ON REQUEST ONLY
B	-	STANDARD

ALL FLANGE SCREWS ARE ONLY AVAILABLE IN +/- COMBINATION SCREW TYPES.

PROPERTY TABLE			
FCI SERIES NAME		01-500	01-508
PITCH (mm)		5.00	5.08
VOLTAGE RATING (VAC)		300	300
CURRENT RATING (A)		12	12
APPLICABLE WIRE RANGE (AWG)		1-WIRE	12~24
		2-WIRE	18
WIRE CROSS SECTION (mm ²)	SOLID	1-WIRE	2.5
		2-WIRE	1.0
	STRANDED	1-WIRE	2.5
		2-WIRE	1.5
OPENING CONTACT HOUSING(mm ²)		2.6x3.2	2.6x3.2
WIRE STRIP LENGTH(mm)		7~8	7~8
TORQUE +/-10% (N-m/Lb-in)		0.57/5.0	0.57/5.0
SCREW		M3x0.5	M3x0.5
WITHSTANDING VOLTAGE (kV)		1.6	1.6
OPERATING TEMP. (°C)		-40~+115	-40~+115
POLES AVAILABLE		02~24	02~24
SAFETY CERTIFICATE			

HOUSING CODE

CODE	COLOR	AVAILABILITY
1	GREEN(RAL 6018/T)	STANDARD
2	BLACK	ON REQUEST ONLY
3	GREY(RAL 7004/P)	ON REQUEST ONLY
4	BLUE(RAL 5015/A)	ON REQUEST ONLY

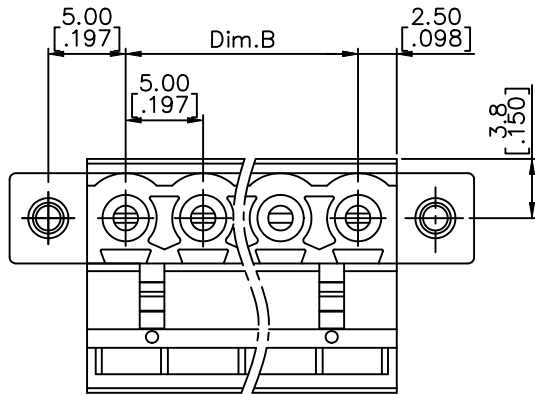
NOTES:

- MATERIALS
1-1 HOUSING: THERMALPLASTIC RESIN, UL 94V-0 RATED.
1-2 SCREW: STEEL, ZINC PLATED.
1-3 CLAMP: COPPER ALLOY, NICKEL PLATED.
1-4 TERMINAL: COPPER ALLOY, TIN PLATED.
- PRODUCT SPECIFICATION REFER TO FCI GS-12-625.
- PRODUCT PACKING SPECIFICATION REFER TO FCI GS-14-1394.
- FCI, SAFETY CERTIFICATE LOGO AND SERIES NAME TO BE SHOWN ON PRODUCT SURFACE.
- THE PRODUCTS WHERE THE PART NUMBER END IN "LF" MEET THE EUROPEAN UNION DIRECTIVE AND OTHER COUNTRY REGULATIONS AS DESCRIBED IN GS-22-008.

mat'l. code		surface ASME Y14.5 ✓	tolerance ASME Y14.5	projection 	product family TERMINAL BLOCK
ltr	ecn no	dr	date	tolerances unless otherwise specified	
A	T10-0082	WL	080510	angles X.±0.5	title TERMINAL BLOCK PLUGGABLE, PLUG, SINGAL, W/FLANGE DOWNSIDE CONTACT
B	T10-0158	WL	100410	X.X±0.3	
C	T-005908	WL	091311	X'±1"	
		dr	WENDY CHEN	051410	scale MM [INCH]
		enr	JASON HSU	051410	FCI logo
		chr	GARY HSIEH	051410	
		appd	JOSEPH HSIA	051410	sheet 1 of 3
sheet index		revision	C	C	20020002
		sheet	1	2	A4
					type CUSTOMER Drawing



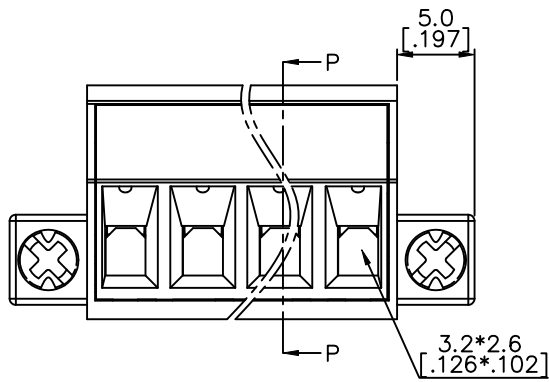
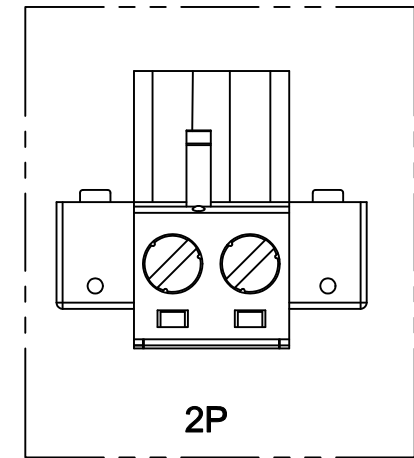
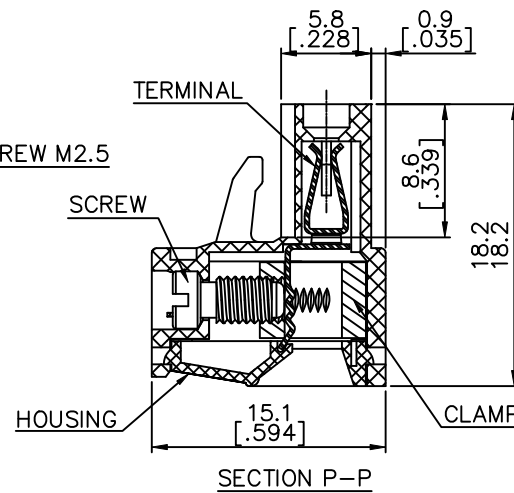
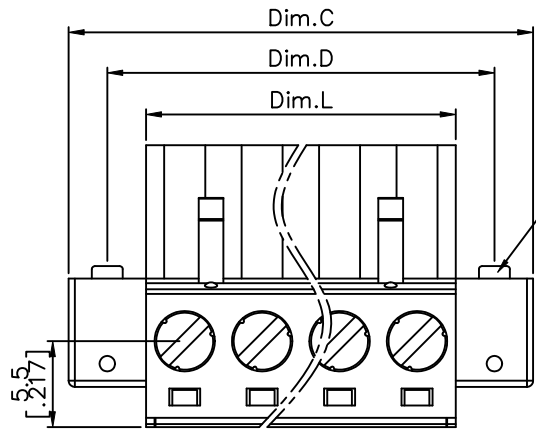
PRODUCT NUMBER	SERIES NAME	PITCH
20020002-GXXXXXLf	01-500	5.00 mm



N= Number of poles

Dim L	N*5.0 [.197]
Dim B	(N-1)*5.0 [.197]
Dim C	(N+2)*5.0 [.197]
Dim D	(N+1)*5.0 [.197]

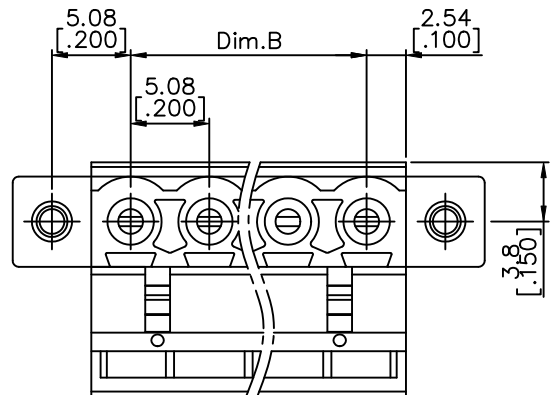
Poles	Tolerance
2P-7P	±0.15 [.006]
8P-12P	±0.25 [.010]
13P-18P	±0.30 [.012]
19P-24P	±0.40 [.016]



mat'l. code	surface ASME Y14.5	tolerance ASME Y14.5	projection	product family
ltr	ecn	no	dr	date
tolerances unless otherwise specified				title
c	angles	tol	MM	TERMINAL BLOCK PLUGGABLE, PLUG, SINGAL, W/FLANGE DOWNSIDE CONTACT
	X°±1'	X.XX±0.1	[INCH]	
	dr	WENDY CHEN	051410	scale
	enr	JASON HSU	051410	FCI
	chr	GARY HSIEH	051410	
	appd	JOSEPH HSIA	051410	
sheet index	revision sheet			type
				CUSTOMER Drawing



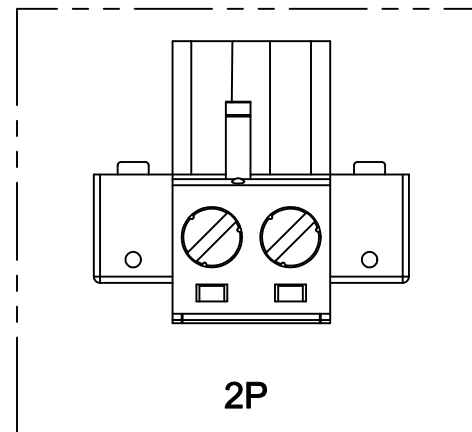
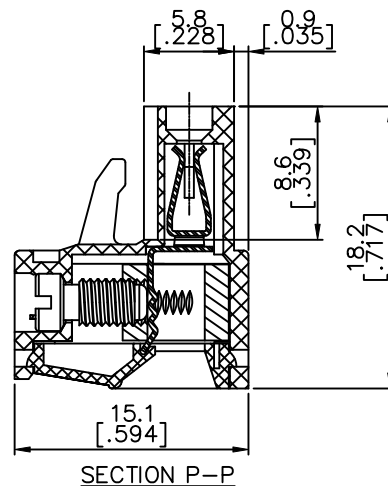
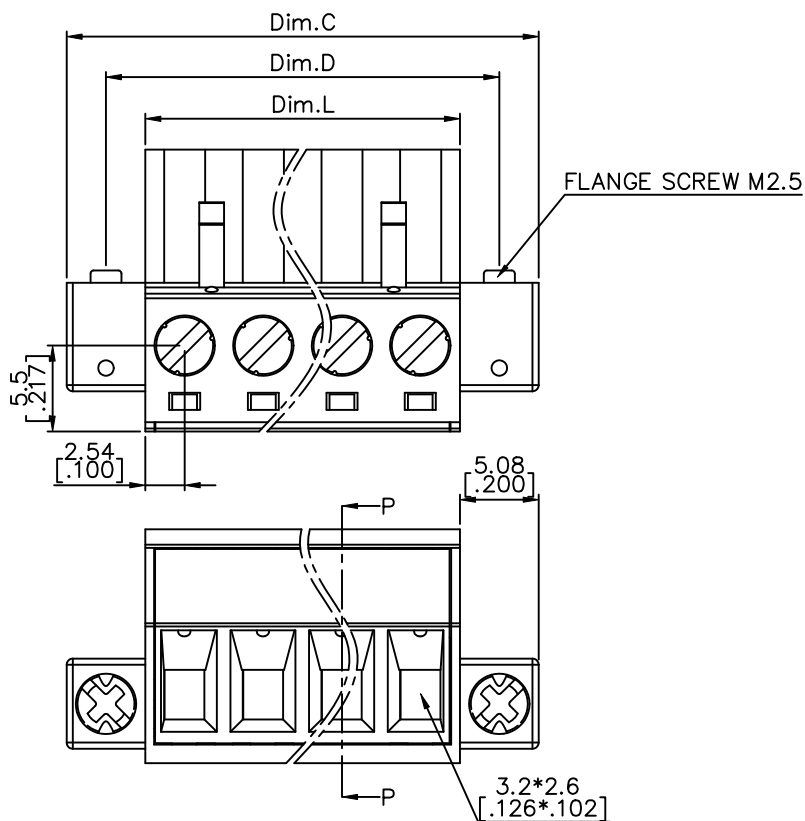
PRODUCT NUMBER	SERIES NAME	PITCH
20020002-HXXXXXLF	01-508	5.08 mm



N= Number of poles

Dim L	N*5.08 [.200]
Dim B	(N-1)*5.08 [.200]
Dim C	(N+2)*5.08 [.200]
Dim D	(N+1)*5.08 [.200]

Poles	Tolerance
2P-7P	±0.15 [.006]
8P-12P	±0.25 [.010]
13P-18P	±0.30 [.012]
19P-24P	±0.40 [.016]



mat'l. code	surface ASME Y14.5	tolerance ASME Y14.5	projection 	product family TERMINAL BLOCK
ltr	ecn no	dr	date	title
c				TERMINAL BLOCK PLUGGABLE, PLUG, SINGAL, W/FLANGE DOWNSIDE CONTACT
				dwg no 20020002
				sheet 3 of 3 size A4
				type CUSTOMER Drawing
sheet index	revision sheet			