



Chipsmall Limited consists of a professional team with an average of over 10 year of expertise in the distribution of electronic components. Based in Hongkong, we have already established firm and mutual-benefit business relationships with customers from,Europe,America and south Asia,supplying obsolete and hard-to-find components to meet their specific needs.

With the principle of “Quality Parts,Customers Priority,Honest Operation,and Considerate Service”,our business mainly focus on the distribution of electronic components. Line cards we deal with include Microchip,ALPS,ROHM,Xilinx,Pulse,ON,Everlight and Freescale. Main products comprise IC,Modules,Potentiometer,IC Socket,Relay,Connector.Our parts cover such applications as commercial,industrial, and automotives areas.

We are looking forward to setting up business relationship with you and hope to provide you with the best service and solution. Let us make a better world for our industry!



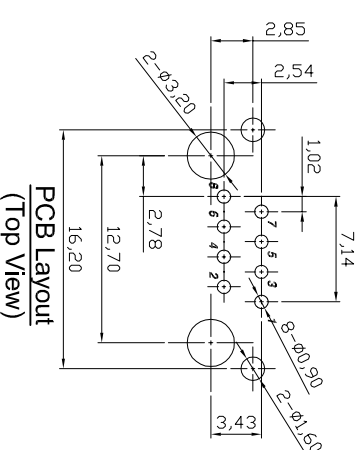
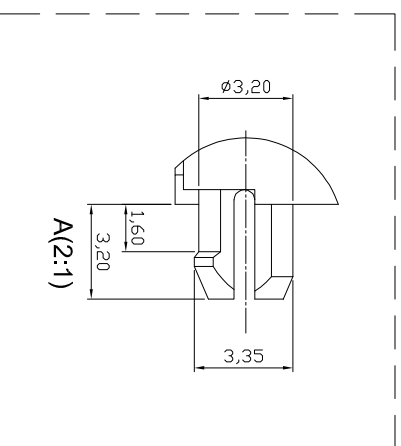
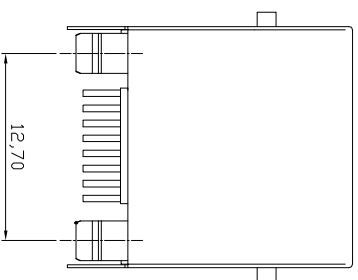
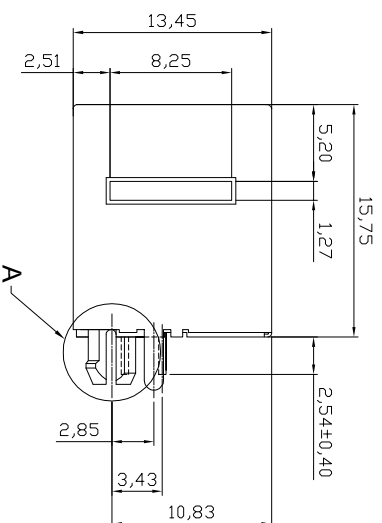
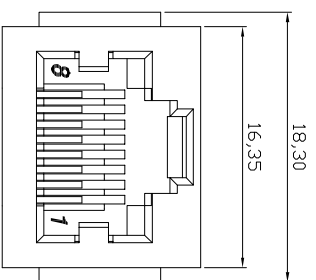
Contact us

Tel: +86-755-8981 8866 Fax: +86-755-8427 6832

Email & Skype: info@chipsmall.com Web: www.chipsmall.com

Address: A1208, Overseas Decoration Building, #122 Zhenhua RD., Futian, Shenzhen, China





- Specification:**
- Electrical Char
Insulation Resistance: 500MΩ min. 500V DC for 1 minute
Contact Resistance: 30mΩ max.
Rating Current: 1.5A max.
Rating Voltage: 150V AC
Dielectric Voltage: 1000 Vrms at 1MA 60 sec. min.
 - Physical Char
Housing: PBT Glass filled (UL 94V-0) Color: Black
Soldering Temperature: 235°C for 5 sec.
Spring Wire: 0.45mm Dia Phosphor Bronze
6u" Gold plating over Nickel
Temperature Range: -40°C to +85°C
Durability: 750 mating cycles min.
 - Packing: Tray

RoHS compliant
Unit:mm

Scale	Free
TOLERANCE	
.XX	±0.20
.XXX	±0.13
.XXXX	±0.05
DIM	TOL
Angle	+0°30'

Id.	Modification	Date	Name
①	Drawn	28.10.2015	Amy

Date	Name
Drawn 28.10.2015	Amy
Approved 28.10.2015	Amy

Customer-No.	ASSMANN WSW-No.	Drawing-No.	Replace	SHEET
	A-2014-2-4-LP/FSS-R	ASS 7045 CO	rev00	H



1	2	3	4	5	6	7	A
1	2	3	4	5	6	7	B
1	2	3	4	5	6	7	C
1	2	3	4	5	6	7	D
1	2	3	4	5	6	7	E
1	2	3	4	5	6	7	F
1	2	3	4	5	6	7	G
1	2	3	4	5	6	7	H