



Chipsmall Limited consists of a professional team with an average of over 10 year of expertise in the distribution of electronic components. Based in Hongkong, we have already established firm and mutual-benefit business relationships with customers from,Europe,America and south Asia,supplying obsolete and hard-to-find components to meet their specific needs.

With the principle of “Quality Parts,Customers Priority,Honest Operation,and Considerate Service”,our business mainly focus on the distribution of electronic components. Line cards we deal with include Microchip,ALPS,ROHM,Xilinx,Pulse,ON,Everlight and Freescale. Main products comprise IC,Modules,Potentiometer,IC Socket,Relay,Connector.Our parts cover such applications as commercial,industrial, and automotives areas.

We are looking forward to setting up business relationship with you and hope to provide you with the best service and solution. Let us make a better world for our industry!



Contact us

Tel: +86-755-8981 8866 Fax: +86-755-8427 6832

Email & Skype: info@chipsmall.com Web: www.chipsmall.com

Address: A1208, Overseas Decoration Building, #122 Zhenhua RD., Futian, Shenzhen, China



1

2

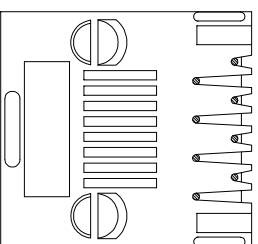
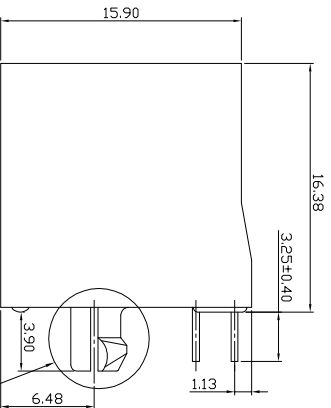
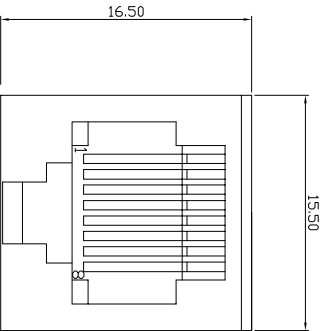
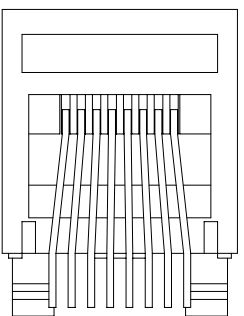
3

4

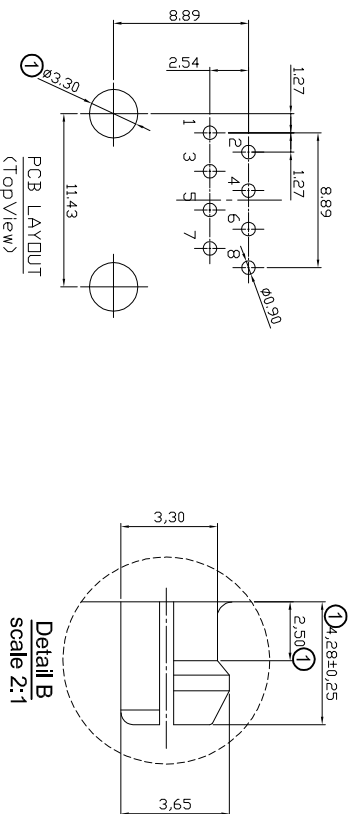
5

6

7



see detail B



Detail B
scale 2:1

Specification:

- 1. Electrical Char
 - Insulation Resistance: 500MΩ min. 500V DC for 1 minute
 - Contact Resistance: 30mΩ max.
 - Rating Current: 1.5A max.
 - Rating Voltage: 150V AC
 - Dielectric Voltage: 1000 Vrms at 1MA 60 sec. min.

2. Physical Char

- Housing: PBT Glass filled (UL 94V-0) Color: Black
- Soldering Temperature: 235°C for 5 sec.
- Spring Wire: 0.45mm Dia Phosphor Bronze
- 6u" Gold plating over Nickel
- Temperature Range: -40°C to +85°C
- Durability: 750 mating cycles min.

3. Packing: Tray

RoHS compliant

Unit:mm

Scale	Free
TOLERANCE	
.XX	±0.20
.XXX	±0.13
.XXXX	±0.05
DIM	TOL
Angle	+0°30'

①	Correct PCB size and add dimensions	17.07.2018	Amy
②	Drawn	04.08.2016	Winnie
③	Id.		
	Modification		
	Date		
	Name		

	Date	Name
Drawn	04.08.2016	Winnie
Approved	17.07.2018	Amy

Customer-No.		
ASSMANN WSW-No.	A-2014-2-4-N-T-R	
Drawing-No.	ASS 7329 CO	rev01
Replace	SHEET	



1

2

3

4

5

6

7

A
B
C
D
E
F
G
H