



Chipsmall Limited consists of a professional team with an average of over 10 year of expertise in the distribution of electronic components. Based in Hongkong, we have already established firm and mutual-benefit business relationships with customers from,Europe,America and south Asia,supplying obsolete and hard-to-find components to meet their specific needs.

With the principle of "Quality Parts,Customers Priority,Honest Operation,and Considerate Service",our business mainly focus on the distribution of electronic components. Line cards we deal with include Microchip,ALPS,ROHM,Xilinx,Pulse,ON,Everlight and Freescale. Main products comprise IC,Modules,Potentiometer,IC Socket,Relay,Connector.Our parts cover such applications as commercial,industrial, and automotives areas.

We are looking forward to setting up business relationship with you and hope to provide you with the best service and solution. Let us make a better world for our industry!



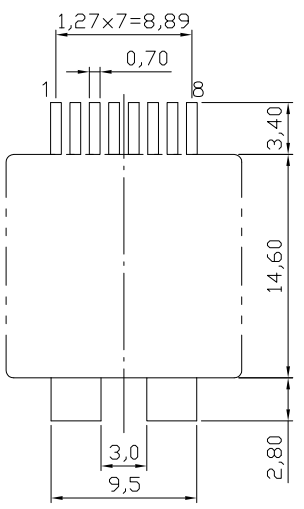
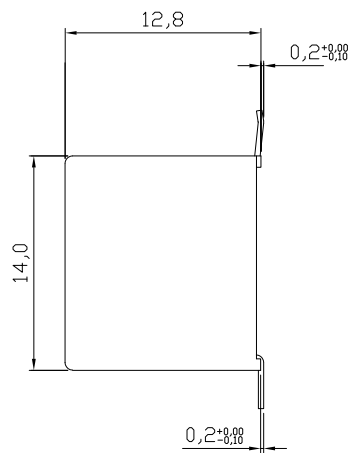
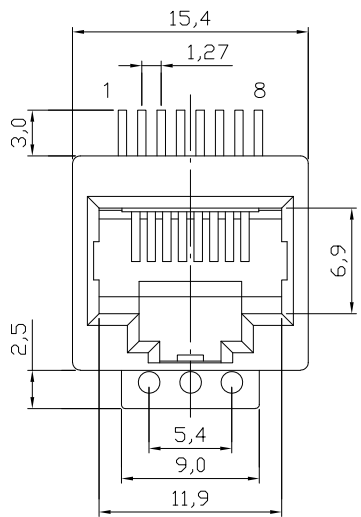
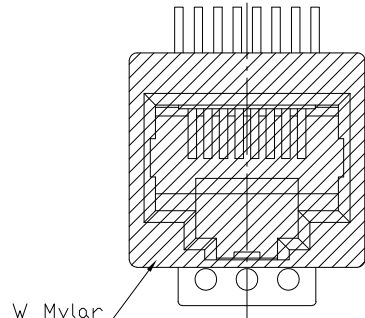
Contact us

Tel: +86-755-8981 8866 Fax: +86-755-8427 6832

Email & Skype: info@chipsmall.com Web: www.chipsmall.com

Address: A1208, Overseas Decoration Building, #122 Zhenhua RD., Futian, Shenzhen, China





NOTES:
Mechanical:
 1. Housing material : High Temp. UL94V-0 , Color: Black
 2. Contact material: Phosphor Bronze t=0.35mm
 3. Contact plating: Contact area---Selective Gold plating
 Tails---Tin plated all over 50u" Nickel
 4. Operating Life: 750 Cycles min.
 5. PCB Retention Post-solder: 10 LBS min.

Electrical:
 1. Voltage Rating: 125VAC.
 2. Current Rating: 1.5AMP.
 3. Contact Resistance: 30mΩ max.
 4. Insulation Resistance: 1000MΩ min. @ 500 VDC
 5. Dielectric Strength: 1000 VAC 60Hz, 1 min.

Environmental:
 1. Storage: -40°C To +85°C
 2. Operation: -40°C~+85°C
 3. IR Reflow Soldering Temperature: 255°C~265°C(5-10S)

Packing: 150pcs/Tape reel, 900pcs/Carton

Order code: A-2014-2-X-SMT-N

Contact plating:
 1: Selective 15u" gold
 2: Selective 30u" gold
 3: Selective 50u" gold
 4: Selective 6u" gold

RoHS compliant
 Unit:mm

Scale	Free				Date	Name	Customer-No.
TOLERANCE				Drawn	27.05.2013	Amy	
X.X	±0.20			Approved	16.04.2014	Amy	ASSMANN WSW-No.
X.XX	±0.15						A-2014-2-X-SMT-N
X.XXX	±0.10						
DIM	TOL	①	Add tape reel packing on page 2	16.04.2014	Amy		Drawing-No.
		②	Drawn	27.05.2013	Amy		ASS 5707 CO
Angle	±5°	Id.	Modification	Date	Name		rev01
						Replace	SHEET 1 / 2



1

2

3

4

5

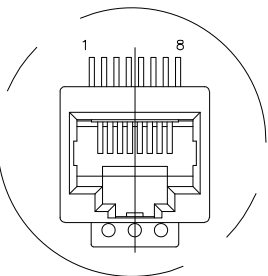
6

7

A

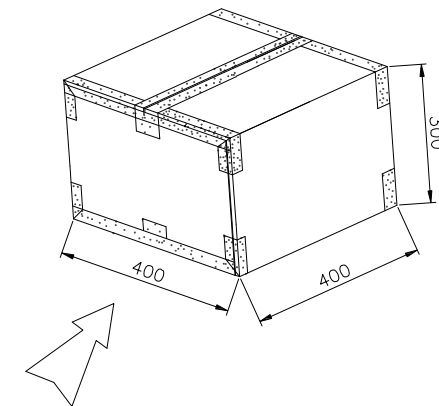
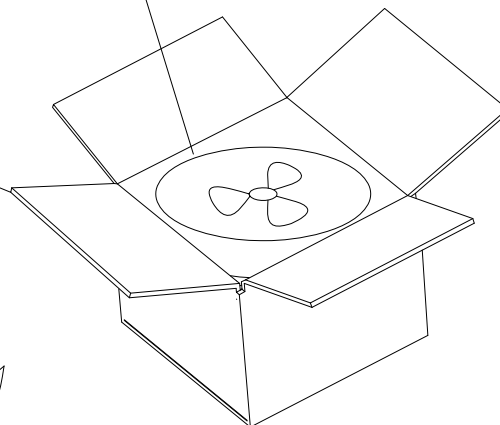
A

1.PRODUCT 1PCS



1.TOP ENTRY SMT 8P8C JACK
 150 PCS/REEL
 900PCS/CARTON

2.CARTON



B

B

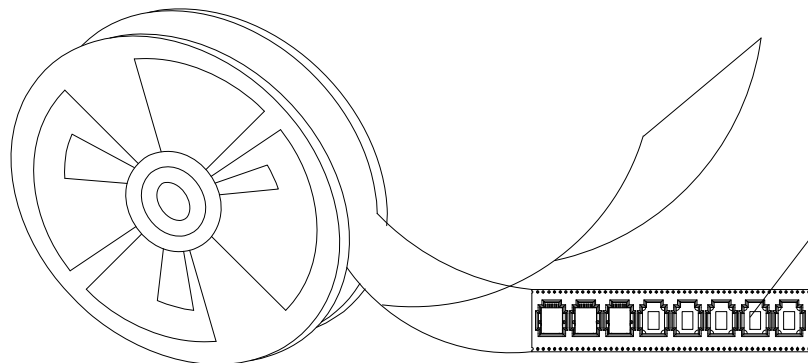
C

C

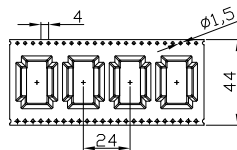
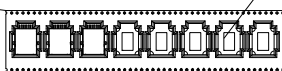
D

D

3.TAPE REEL



Keep 5pcs blank on
 front and tail




E

E

F

F

RoHS compliant
 Unit:mm

Scale	Free					Date	Name	Customer-No.	
TOLERANCE					Drawn	27.05.2013	Amy	ASSMANN WSW-No. A-2014-2-X-SMT-N	
X.X	±0.20				Approved	16.04.2014	Amy		
X.XX	±0.15								
X.XXX	±0.10								
DIM	TOL	①	Add tape reel packing on page 2	16.04.2014	Amy			Drawing-No.	
		②	Drawn	27.05.2013	Amy			ASS 5707 CO	rev01
Angle	±5°	Id.	Modification	Date	Name			Replace	SHEET 2 / 2

G

G

H

H

1

2

3

4

5

6

7