



Chipsmall Limited consists of a professional team with an average of over 10 year of expertise in the distribution of electronic components. Based in Hongkong, we have already established firm and mutual-benefit business relationships with customers from,Europe,America and south Asia,supplying obsolete and hard-to-find components to meet their specific needs.

With the principle of “Quality Parts,Customers Priority,Honest Operation,and Considerate Service”,our business mainly focus on the distribution of electronic components. Line cards we deal with include Microchip,ALPS,ROHM,Xilinx,Pulse,ON,Everlight and Freescale. Main products comprise IC,Modules,Potentiometer,IC Socket,Relay,Connector.Our parts cover such applications as commercial,industrial, and automotives areas.

We are looking forward to setting up business relationship with you and hope to provide you with the best service and solution. Let us make a better world for our industry!



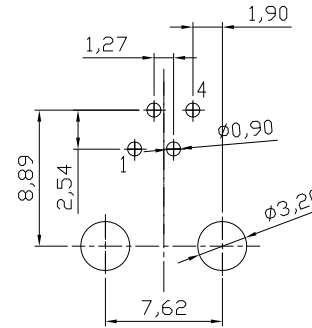
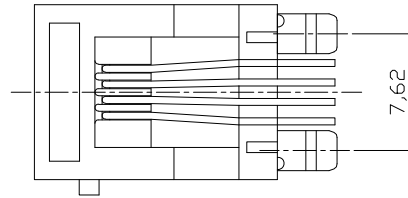
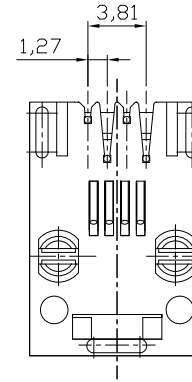
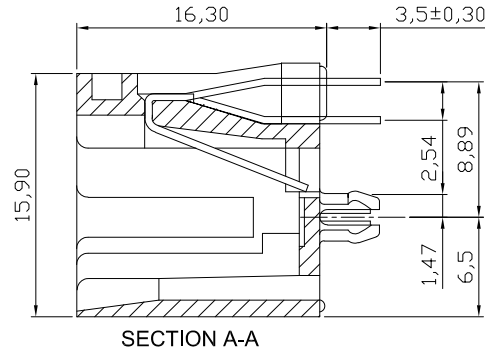
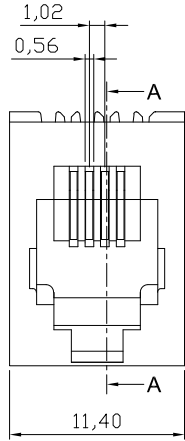
## Contact us

Tel: +86-755-8981 8866 Fax: +86-755-8427 6832

Email & Skype: info@chipsmall.com Web: www.chipsmall.com

Address: A1208, Overseas Decoration Building, #122 Zhenhua RD., Futian, Shenzhen, China





PC Board Layout  
Component Side Shown

**NOTES:**

**Mechanical:**

1. Housing material : Class Files Polyester UL94V-0 , Color: Black
2. Contact material: Phosphor Bronze  $\phi=0,46\text{mm}$
3. Contact plating: Gold plating over 50u" Nickel
4. Operating Life: 750 Cycles min.
5. PCB Retention Pre-solder: 1 LB min.
6. PCB Retention Post-solder: 10 LBS min.

**Electrical:**

1. Voltage Rating: 125VAC.
2. Current Rating: 1.5AMP.
3. Contact Resistance: 30m $\Omega$  max.
4. Insulation Resistance: 1000M $\Omega$  min. @ 500 VDC
5. Dielectric Strength: 750 VAC RMS 50Hz, 1 min.

**Environmental:**

1. Storage: -40°C To +85°C
2. Operation: -40°C~+85°C
3. Wave Soldering Temp: 200~220°C(5~10S)
- Packing: 120pcs/Tray, 3360pcs/Carton

Order code: A-2014-3-X-N-T

- Contact plating:
- 1: 15u" gold
  - 2: 30u" gold
  - 3: 50u" gold
  - 4: 6u" gold

**RoHS compliant**  
Unit:mm

Scale	Free						Date	Name	Customer-No.
TOLERANCE						Drawn	27.05.2013	Amy	ASSMANN WSW-No. <b>A-2014-3-X-N-T</b>
X.X	±0.20					Approved	27.05.2013	Amy	
X.XX	±0.15								
X.XXX	±0.10								
DIM	TOL								Drawing-No.
									<b>ASS 5709 CO</b>
		①	Drawn	27.05.2013	Amy	<b>ASSMANN</b> WSW components			rev00
Angle	±5°	Id.	Modification	Date	Name			Replace	SHEET



**ASS 5709 CO** rev00  
Replace SHEET