



Chipsmall Limited consists of a professional team with an average of over 10 year of expertise in the distribution of electronic components. Based in Hongkong, we have already established firm and mutual-benefit business relationships with customers from,Europe,America and south Asia,supplying obsolete and hard-to-find components to meet their specific needs.

With the principle of “Quality Parts,Customers Priority,Honest Operation,and Considerate Service”,our business mainly focus on the distribution of electronic components. Line cards we deal with include Microchip,ALPS,ROHM,Xilinx,Pulse,ON,Everlight and Freescale. Main products comprise IC,Modules,Potentiometer,IC Socket,Relay,Connector.Our parts cover such applications as commercial,industrial, and automotives areas.

We are looking forward to setting up business relationship with you and hope to provide you with the best service and solution. Let us make a better world for our industry!



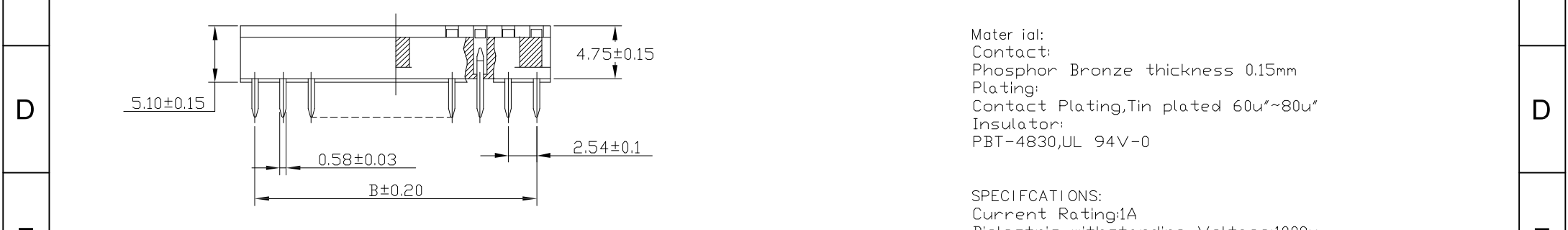
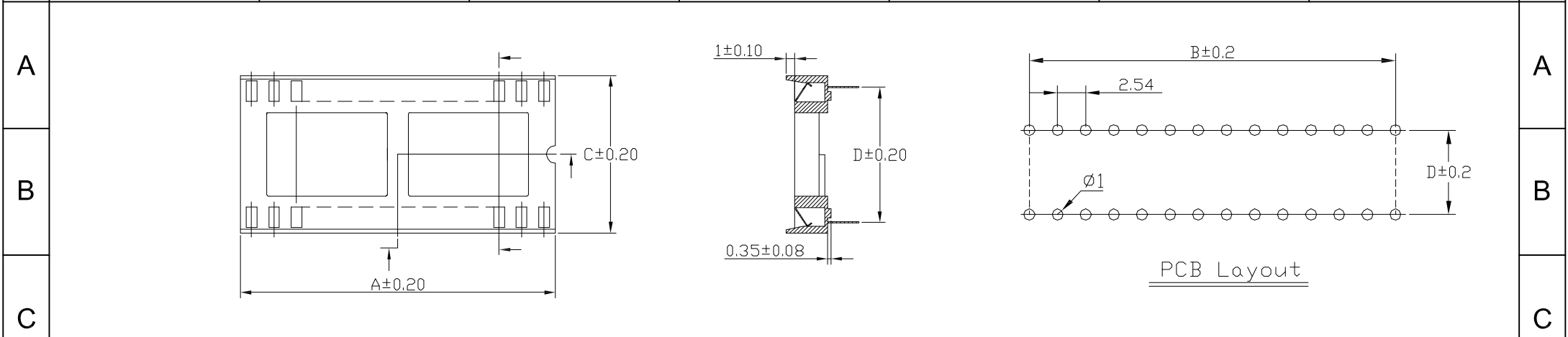
Contact us

Tel: +86-755-8981 8866 Fax: +86-755-8427 6832

Email & Skype: info@chipsmall.com Web: www.chipsmall.com

Address: A1208, Overseas Decoration Building, #122 Zhenhua RD., Futian, Shenzhen, China






Material:
 Contact:
 Phosphor Bronze thickness 0.15mm
 Plating:
 Contact Plating, Tin plated 60u"~80u"
 Insulator:
 PBT-4830, UL 94V-0

SPECIFICATIONS:
 Current Rating: 1A
 Dielectric withstanding Voltage: 1000v
 RMS/minute
 Insulator resistance: 5000 Megohms min.
 Contact resistance: 20 milliohms initial
 30 milliohms after test.
 Operating temperatures: -55°C to 85°C
 Insertion force: 340g (12 oz) max. per contact.
 Withdrawal force: 80g (2.82 oz) min. per contact.

Dimensions

Positions	A	B	C	D
① 22	27.94	25.40	12.70	10.16

RoHS compliant
 Unit: mm

Scale	FREE					Date	Name	Customer-No.
TOLERANCE						Drawn	29.07.2014	Amy
X.	±0.38					Approved	17.10.2014	Amy
X.X	±0.25							
X.XX	±0.13							
DIM	TOL	①	Update P/N to 22 pins version	17.10.2014	Ray	 ASSMANN WSW-No. ①A22-LC-T2 Drawing-No. ASS 6528 CO rev01 Replace Sheet		
Angle	±3°	②	Drawn	29.07.2014	Ray			
Angle	TOL	Id.	Modification	Date	Name			