



Chipsmall Limited consists of a professional team with an average of over 10 year of expertise in the distribution of electronic components. Based in Hongkong, we have already established firm and mutual-benefit business relationships with customers from,Europe,America and south Asia,supplying obsolete and hard-to-find components to meet their specific needs.

With the principle of “Quality Parts,Customers Priority,Honest Operation,and Considerate Service”,our business mainly focus on the distribution of electronic components. Line cards we deal with include Microchip,ALPS,ROHM,Xilinx,Pulse,ON,Everlight and Freescale. Main products comprise IC,Modules,Potentiometer,IC Socket,Relay,Connector.Our parts cover such applications as commercial,industrial, and automotives areas.

We are looking forward to setting up business relationship with you and hope to provide you with the best service and solution. Let us make a better world for our industry!



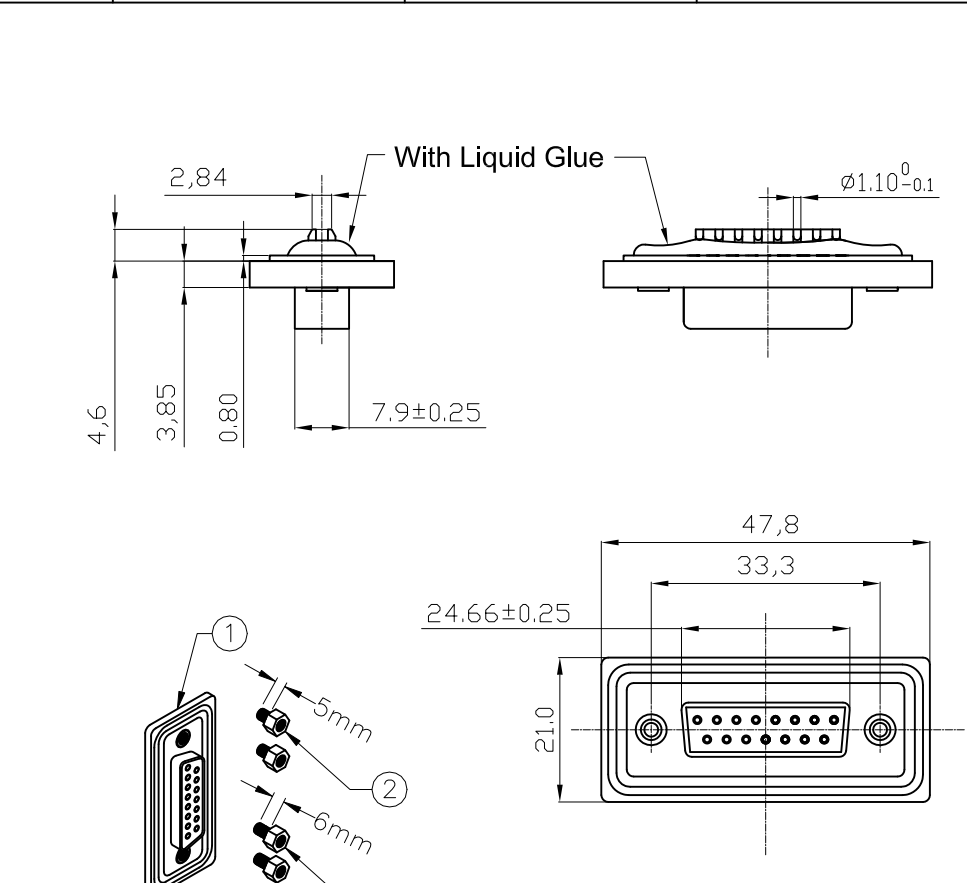
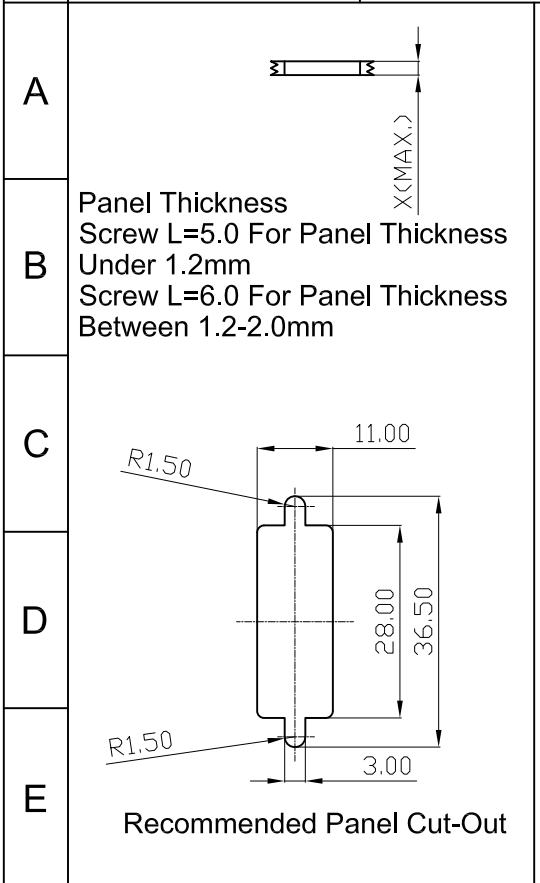
Contact us

Tel: +86-755-8981 8866 Fax: +86-755-8427 6832

Email & Skype: info@chipsmall.com Web: www.chipsmall.com

Address: A1208, Overseas Decoration Building, #122 Zhenhua RD., Futian, Shenzhen, China





NOTES:

- MATERIAL**
1. Insulator Material: Black, NYLON+G/F
 2. Contact Material : Copper Alloy
 3. Plating : Gold Plating
 4. Waterproof Rate: IP67
 5. Applicable Wire Range: 22AWG-26AWG
 6. Do Mating Test After Glued
 7. LOGO



RoHS compliant

Scale	1:1					Date	Name	Customer-No.
TOLERANCE					Drawn	24.12.2008	JACK	ASSMANN WSW-No. A-DF 15 LL-WP
X.X	±0.25				Approved	24.12.2008	Hellwig	
X.XX	±0.10							
X.XXX	±0.05							
DIM	TOL							Drawing-No.
ANGLE	±1°							ASS 3253 CO
X.X°	±X°	①	Drawn	24.12.2008	JACK	Replace	Sheet	
Angle	TOL	Id.	Modification	Date	Name			