



Chipsmall Limited consists of a professional team with an average of over 10 year of expertise in the distribution of electronic components. Based in Hongkong, we have already established firm and mutual-benefit business relationships with customers from,Europe,America and south Asia,supplying obsolete and hard-to-find components to meet their specific needs.

With the principle of “Quality Parts,Customers Priority,Honest Operation,and Considerate Service”,our business mainly focus on the distribution of electronic components. Line cards we deal with include Microchip,ALPS,ROHM,Xilinx,Pulse,ON,Everlight and Freescale. Main products comprise IC,Modules,Potentiometer,IC Socket,Relay,Connector.Our parts cover such applications as commercial,industrial, and automotives areas.

We are looking forward to setting up business relationship with you and hope to provide you with the best service and solution. Let us make a better world for our industry!



## Contact us

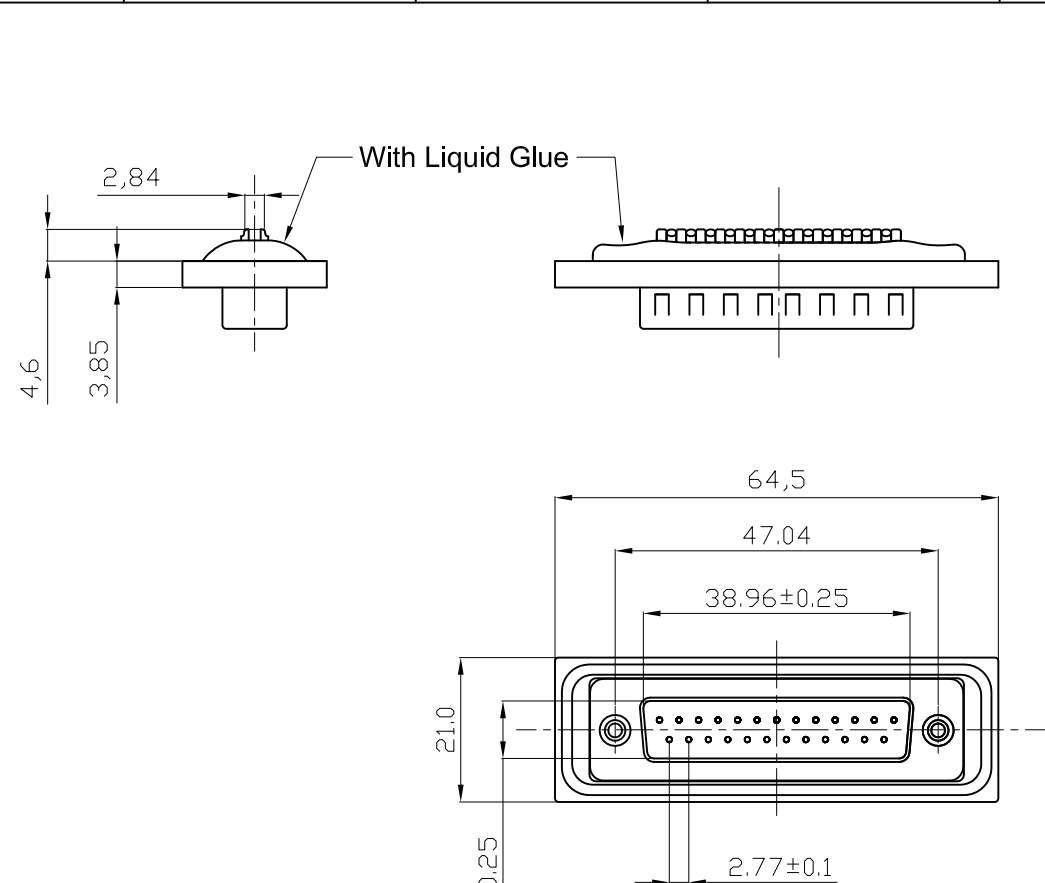
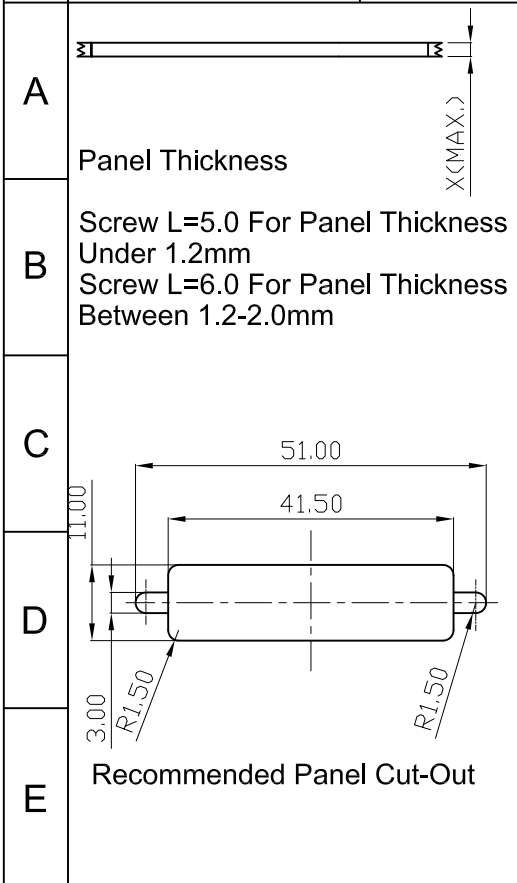
Tel: +86-755-8981 8866 Fax: +86-755-8427 6832

Email & Skype: info@chipsmall.com Web: www.chipsmall.com

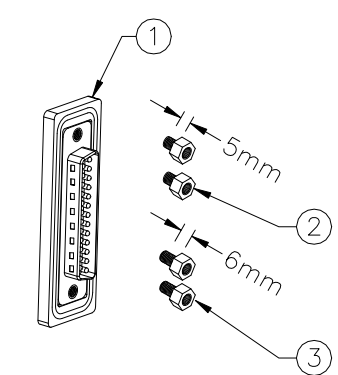
Address: A1208, Overseas Decoration Building, #122 Zhenhua RD., Futian, Shenzhen, China



1 2 3 4 5 6 7



**NOTES:**  
**MATERIAL**  
 1. Waterproof Rate: IP68  
 2. Connector: D-SUB 25PIN Male  
 3. Core Color: Black  
 4. Do Mating Test After Glued



Panel Thickness  
 Screw L=5.0 For Panel Thickness Under 1.2mm  
 Screw L=6.0 For Panel Thickness Between 1.2-2.0mm

**RoHS compliant**

Scale	1:1						Date	Name	Customer-No.
TOLERANCE						Drawn	24.12.2008	JACK	
X.X	±0.25					Approved	24.12.2008	Hellwig	ASSMANN WSW-No.
X.XX	±0.10								<b>A-DS 25 LL-WP</b>
X.XXX	±0.05								Drawing-No.
DIM	TOL					<b>ASSMANN</b> components		<b>ASS 3268 CO</b> rev01	
ANGLE	±1°								
X.X°	±X°	①	Drawn	24.12.2008	JACK	Replace		Sheet	
Angle	TOL	Id.	Modification	Date	Name				

1 2 3 4 5 6 7