



Chipsmall Limited consists of a professional team with an average of over 10 year of expertise in the distribution of electronic components. Based in Hongkong, we have already established firm and mutual-benefit business relationships with customers from,Europe,America and south Asia,supplying obsolete and hard-to-find components to meet their specific needs.

With the principle of "Quality Parts,Customers Priority,Honest Operation,and Considerate Service",our business mainly focus on the distribution of electronic components. Line cards we deal with include Microchip,ALPS,ROHM,Xilinx,Pulse,ON,Everlight and Freescale. Main products comprise IC,Modules,Potentiometer,IC Socket,Relay,Connector.Our parts cover such applications as commercial,industrial, and automotives areas.

We are looking forward to setting up business relationship with you and hope to provide you with the best service and solution. Let us make a better world for our industry!



Contact us

Tel: +86-755-8981 8866 Fax: +86-755-8427 6832

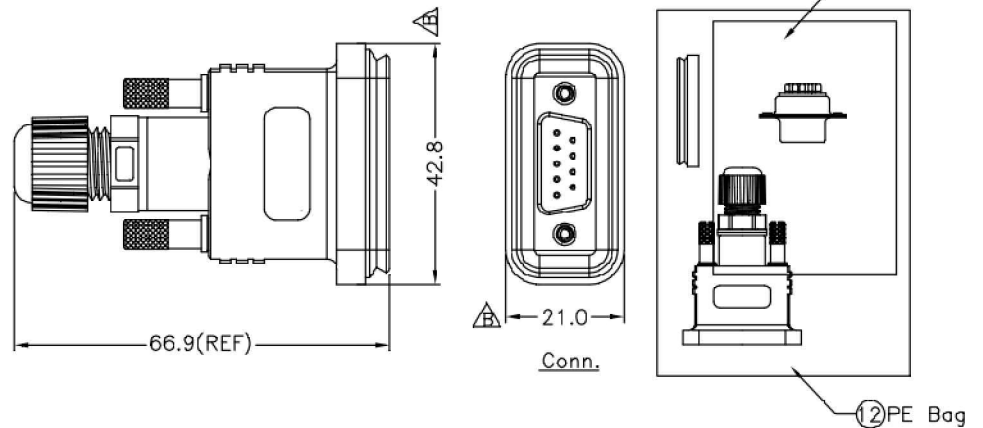
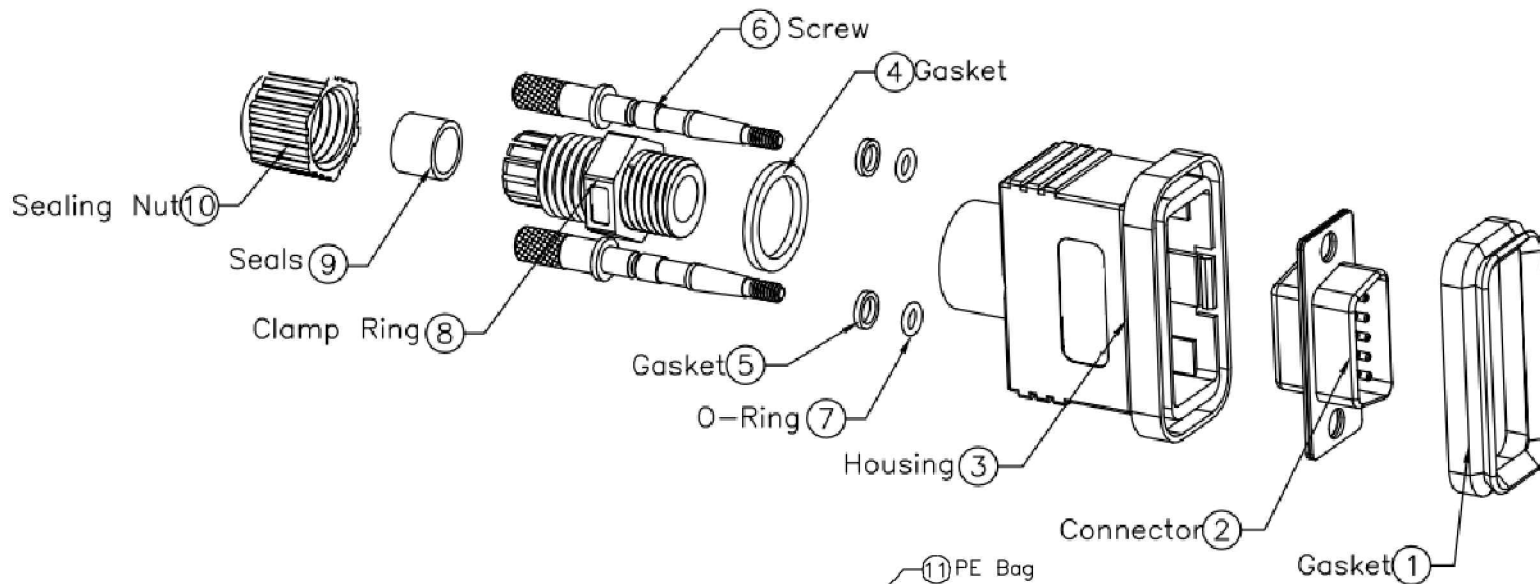
Email & Skype: info@chipsmall.com Web: www.chipsmall.com

Address: A1208, Overseas Decoration Building, #122 Zhenhua RD., Futian, Shenzhen, China



1 2 3 4 5 6 7

A
B
C
D
E
F
G
H



- Note:
- * Waterproof Rate: IP67
 - * Housing:ABS,Black.
 - * Connector:D-SUB 09Pin, Male Pin:Brass,Gold Flash.
 - * Gasket:EPDM,Black.
 - * Screw:Brass,Nickel Plated.
 - * O-Ring:Silicone,Clear.
 - * Seals For Cable OD:ø3.5mm~ø7.0mm
 - * Clamp Ring:Nylon,Black.
 - * Seals:EPDM,Black.
 - * Sealing Nut:Nylon,Black.
 - * One Set Unassembled in One PE Bag.

RoHS compliant
UNIT:mm

Scale	Free						Date	Name	Customer-No.
TOLERANCE							Drawn	22.04.2014	Joanna
	±0.5						Approved	22.04.2014	Joanna
DIM	TOL								
X.°	±X°								
X.X°	±X°	ⓐ	Drawn	22.04.2014	Joanna				
Angle	TOL	Id.	Modification	Date	Name				

ASSMANN WSW-No.
A-DS09-HOOD-WP

Drawing-No.
ASS 6258 CO rev00

Replace Sheet

1 2 3 4 5 6 7

A
B
C
D
E
F
G
H