



Chipsmall Limited consists of a professional team with an average of over 10 year of expertise in the distribution of electronic components. Based in Hongkong, we have already established firm and mutual-benefit business relationships with customers from,Europe,America and south Asia,supplying obsolete and hard-to-find components to meet their specific needs.

With the principle of “Quality Parts,Customers Priority,Honest Operation,and Considerate Service”,our business mainly focus on the distribution of electronic components. Line cards we deal with include Microchip,ALPS,ROHM,Xilinx,Pulse,ON,Everlight and Freescale. Main products comprise IC,Modules,Potentiometer,IC Socket,Relay,Connector.Our parts cover such applications as commercial,industrial, and automotives areas.

We are looking forward to setting up business relationship with you and hope to provide you with the best service and solution. Let us make a better world for our industry!



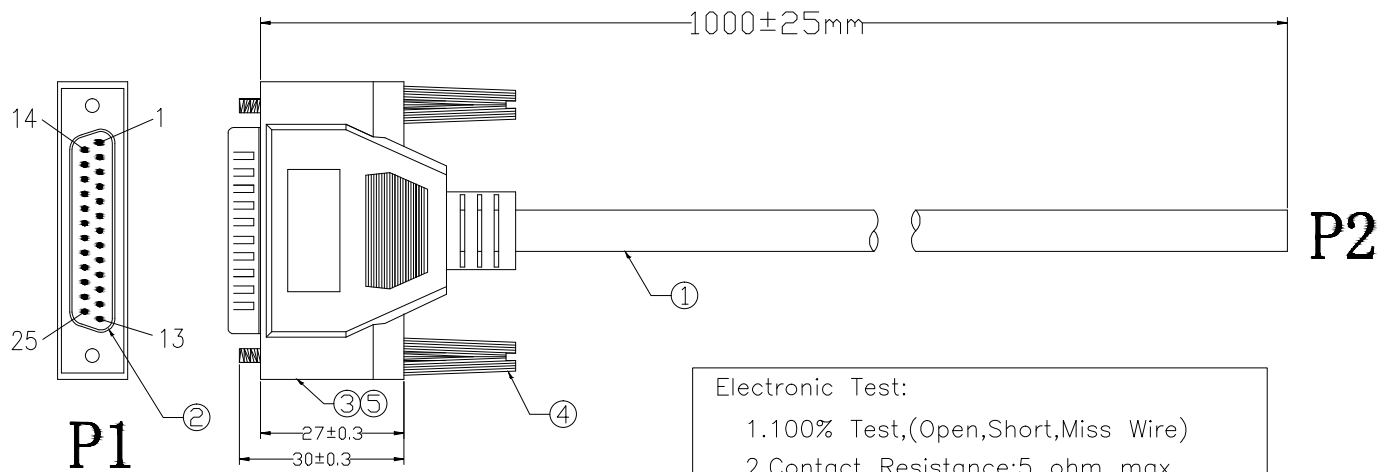
Contact us

Tel: +86-755-8981 8866 Fax: +86-755-8427 6832

Email & Skype: info@chipsmall.com Web: www.chipsmall.com

Address: A1208, Overseas Decoration Building, #122 Zhenhua RD., Futian, Shenzhen, China





Electronic Test:
 1.100% Test,(Open,Short,Miss Wire)
 2.Contact Resistance:5 ohm max.
 3.Insulation Resistance:10M ohm min.
 4.Hi-Pot:300V DC/10ms

PIN ASSIGNMENT		
P1		P2
1	BLACK	
2	BROWN	
3	RED	
4	ORANGE	
5	YELLOW	
6	GREEN	
7	BLUE	
8	PURPLE	
9	GRAY	
10	WHITE	
11	PINK	
12	LIGHT/GREEN	
13	RED/BLACK	
14	ORANGE/BLACK	
15	YELLOW/BLACK	
16	GREEN/BLACK	
17	BLUE/BLACK	
18	PURPLE/BLACK	
19	WHITE/BLACK	
20	RED/WHITE	
21	ORANGE/WHITE	
22	GREEN/WHITE	
23	BLUE/WHITE	
24	PURPLE/WHITE	
25	BROWN/WHITE	
SHELL	DRAIN	

⑤	TUBE	1	HEAT SHRINK TUBE BLACK OD1.5*20MM
④	SCREW	2	#4-40UNC TYPE L=30mm,NICKEL PLATED,MOLD:BEIGE(IV-29) ABS
③	IN JACKET	9g	CLEAR LD-PE (Mould NO.:NM-33)
	OUT JACKET	30g	BEIGE(IV-29) 40P PVC(Mould NO.WM-017)
②	CONN	1	DB 25P MALE SODER TYPE PIN G/F SHELL NI-PLATED INSULATOR COLOR:BLUE
①	CABLE	1	NOUL 28AWG*25C+D+AL/MY OD6.5mm JACKET BEIGE(IV-29) L=1000±10MM
NO	NAMF	O'TY	SPFCIFICATION

RoHS compliant
Unit: mm

Scale	Free				Date	Name	Customer-No.
TOLERANCE					Drawn	11.09.2017	Winnie
.x	±0.50				Approved	11.09.2017	Winnie
.xx	±0.30						
DIM	TOL						
		①	Drawn	11.09.2017	Winnie		
Angle	±2°	ld.	Modification	Date	Name		

ASSMANN WSW-No. A-DSUB-05-42-28-100	
Drawing-No. ASS 8071 CA	rev00
Replace	Sheet 1/2

