



Chipsmall Limited consists of a professional team with an average of over 10 year of expertise in the distribution of electronic components. Based in Hongkong, we have already established firm and mutual-benefit business relationships with customers from,Europe,America and south Asia,supplying obsolete and hard-to-find components to meet their specific needs.

With the principle of “Quality Parts,Customers Priority,Honest Operation,and Considerate Service”,our business mainly focus on the distribution of electronic components. Line cards we deal with include Microchip,ALPS,ROHM,Xilinx,Pulse,ON,Everlight and Freescale. Main products comprise IC,Modules,Potentiometer,IC Socket,Relay,Connector.Our parts cover such applications as commercial,industrial, and automotives areas.

We are looking forward to setting up business relationship with you and hope to provide you with the best service and solution. Let us make a better world for our industry!



Contact us

Tel: +86-755-8981 8866 Fax: +86-755-8427 6832

Email & Skype: info@chipsmall.com Web: www.chipsmall.com

Address: A1208, Overseas Decoration Building, #122 Zhenhua RD., Futian, Shenzhen, China



A

B

C

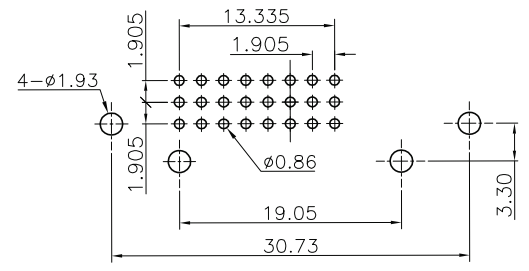
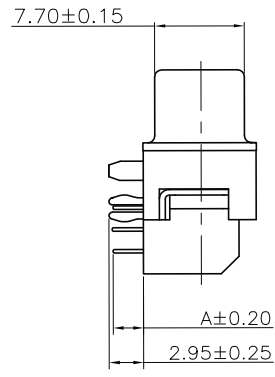
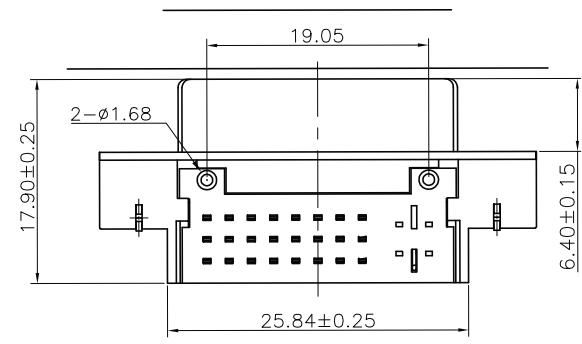
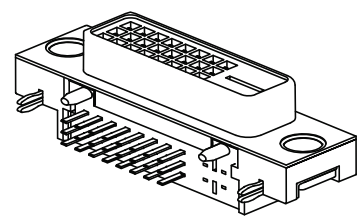
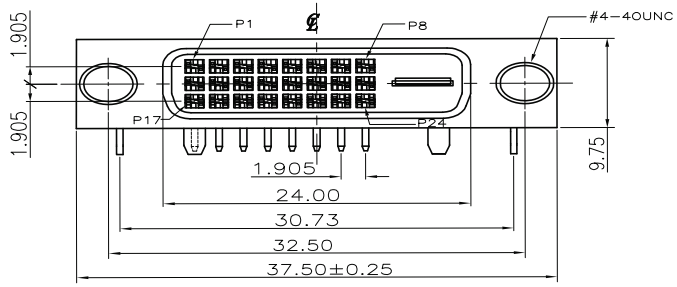
D

E

F

G

H



Recommended PCB Layout

Specifications	
Material:	Contacts: Brass Shell: Zinc Alloy Ground Contact: Brass Leg: Brass Rivet: Brass
Electrical:	Current rating [amps]: 1.5A Voltage-max[volts]: 40V Withstanding Voltage: 500V AC Contact Resistance[ohms]: 30MΩ Max. Insulation Resistance[ohms]: 1,000MΩ Min.
Plating:	Contacts: Gold plating over nickel
Environmental	Temperature Range: -20°C to +80°C

MODIFICATIONS	DATE	NAME	Dimension = MM	
			TOLERANCE	
			ANGLE	X.X ±0.15
				X.XX
				X.XXX



Item NO.
A-DVI-1006-1-01-R



DRAWN BY Miller	DATE 6-6-12	DESCRIPTION DVI Connector Right Angle - 24+1 DIP 90°, Female, White Insulator, No Nut
APPROVED BY Warner	DRAWING NO.	REV