



Chipsmall Limited consists of a professional team with an average of over 10 year of expertise in the distribution of electronic components. Based in Hongkong, we have already established firm and mutual-benefit business relationships with customers from,Europe,America and south Asia,supplying obsolete and hard-to-find components to meet their specific needs.

With the principle of “Quality Parts,Customers Priority,Honest Operation,and Considerate Service”,our business mainly focus on the distribution of electronic components. Line cards we deal with include Microchip,ALPS,ROHM,Xilinx,Pulse,ON,Everlight and Freescale. Main products comprise IC,Modules,Potentiometer,IC Socket,Relay,Connector.Our parts cover such applications as commercial,industrial, and automotives areas.

We are looking forward to setting up business relationship with you and hope to provide you with the best service and solution. Let us make a better world for our industry!



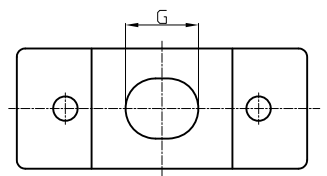
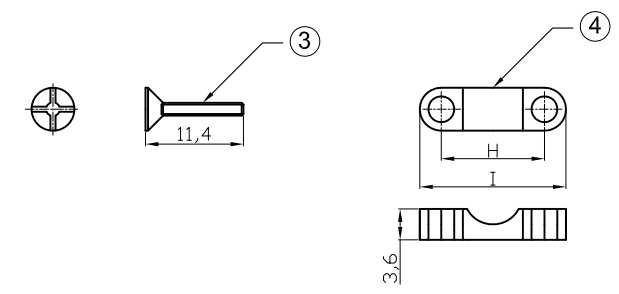
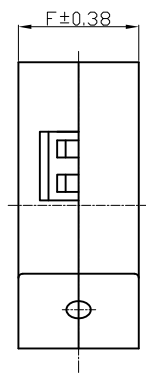
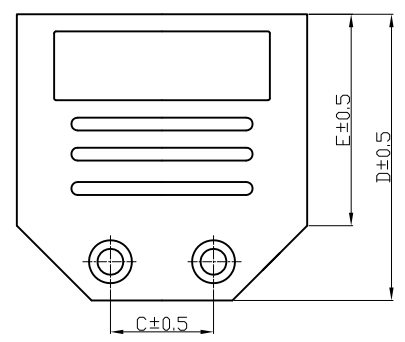
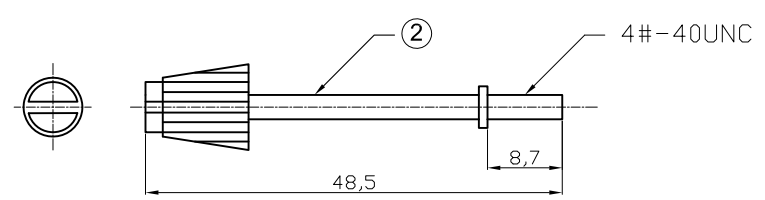
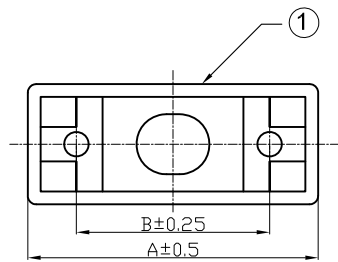
Contact us

Tel: +86-755-8981 8866 Fax: +86-755-8427 6832

Email & Skype: info@chipsmall.com Web: www.chipsmall.com

Address: A1208, Overseas Decoration Building, #122 Zhenhua RD., Futian, Shenzhen, China





A-FT XX
 └── No. of Contacts

4	Clamp Black	PP	Color:Black	1
3	Lock Screw	Steel	Ni Plated,Color:Black	2
2	Thumb Screw	Steel	Ni Plated,Color:Black	2
1	Plastic Hood	PP	Plastic Color:Black	1
No.	Description	Material	Finish/Remark	Q'ty

No.	A	B	C	D	E	F	G	H	I
09	33.8	24.99	12.0	33.3	24.6	14.0	8.5	12	17
15	42.2	33.32	16.0	32.8	23.6	14.5	10.5	16	21
25	56.3	47.04	16.0	36.5	25.6	15.0	11.0	16	21
37	72.7	63.50	16.0	39.2	26.4	14.5	11.0	16	21
50	70.1	61.11	16.0	41.2	26.4	18.5	12.0	16	21

RoHS compliant

Scale	1:1						Date	Name	Customer-No.
TOLERANCE						Drawn	10.12.2008	Dean	ASSAMNN WSW-No. A-FT XX
X.X	±0.25					Approved	10.12.2008	Hellwig	
X.XX	±0.15								
X.XXX	±0.10								
DIM	TOL								Drawing-No.
X.°	±X°								ASS 3205 CO
X.X°	±X°	①	Drawn	10.12.2008	Dean				
Angle	TOL	Id.	Modification	Date	Name				Replace

