



Chipsmall Limited consists of a professional team with an average of over 10 year of expertise in the distribution of electronic components. Based in Hongkong, we have already established firm and mutual-benefit business relationships with customers from,Europe,America and south Asia,supplying obsolete and hard-to-find components to meet their specific needs.

With the principle of “Quality Parts,Customers Priority,Honest Operation,and Considerate Service”,our business mainly focus on the distribution of electronic components. Line cards we deal with include Microchip,ALPS,ROHM,Xilinx,Pulse,ON,Everlight and Freescale. Main products comprise IC,Modules,Potentiometer,IC Socket,Relay,Connector.Our parts cover such applications as commercial,industrial, and automotives areas.

We are looking forward to setting up business relationship with you and hope to provide you with the best service and solution. Let us make a better world for our industry!



Contact us

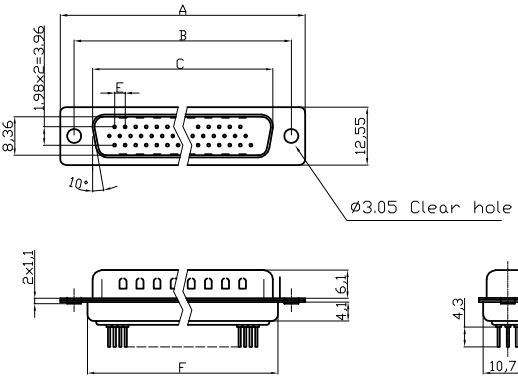
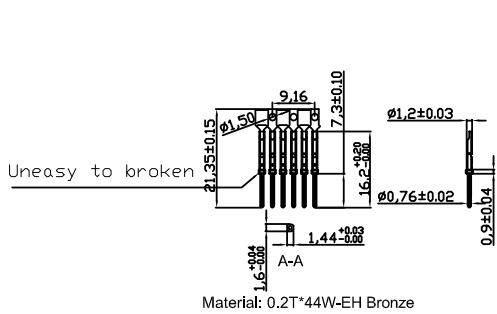
Tel: +86-755-8981 8866 Fax: +86-755-8427 6832

Email & Skype: info@chipsmall.com Web: www.chipsmall.com

Address: A1208, Overseas Decoration Building, #122 Zhenhua RD., Futian, Shenzhen, China



Male



Positions	G	H
15M/F	1.145	7.04
26M/F	1.145	6.88
44M/F	1.145	6.88
62M/F	1.205	7.00

Product Specification

Material

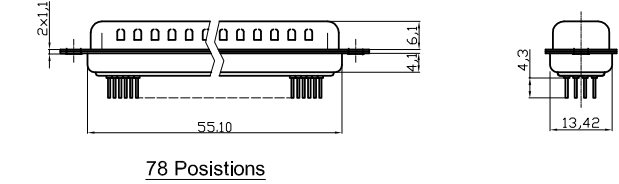
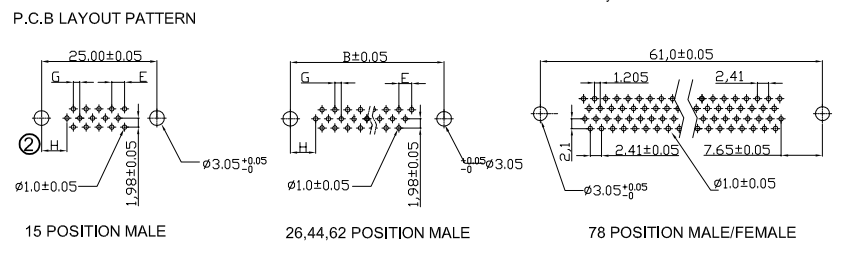
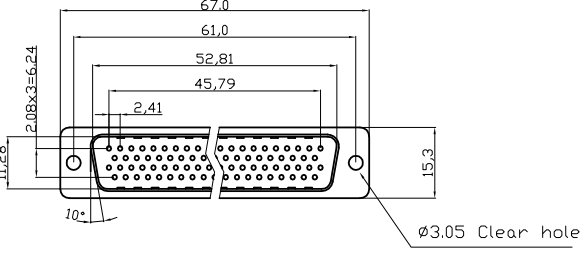
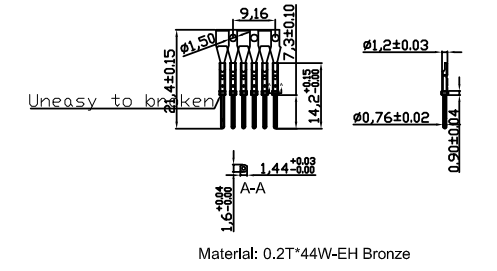
Insulator : Glass-filled thermoplastic PBT, UL94V-0,Black
 Contact : Copper alloy, Gold flash selective gold
 Shell : SPCC
 Clinch Nut : Brass, nickel plated.
 Screwlock : Copper Alloy, Nickel Plated.

Electrical

Contact Resistance : 20 milliohms Max at 100 mA DC
 Insulation Resistance : 1000 megohms at 500 VDC
 Dielectric Withstanding Voltage : 500 VAC/rms 60Hz for 1 minute
 Current Rating : 3 AMP
 Voltage Rating : 250 VAC/rms 60Hz
 Operating Temperature: -55°C ~ +105°C

Order Code:
 A-HD x xx PP/Z

Contact style: F - Female, S - Male
 No. of Contacts: 15 / 26 / 44 / 62
 Standard: Quality class III



Dimensions

Positions	A	B	C	E	F
15	30.81	24.99	16.92	2.29	19.20
26	39.20	33.30	25.25	2.29	27.70
44	53.05	47.04	38.96	2.29	41.10
62	69.40	63.50	55.42	2.41	57.30

RoHS compliant

Unit: mm



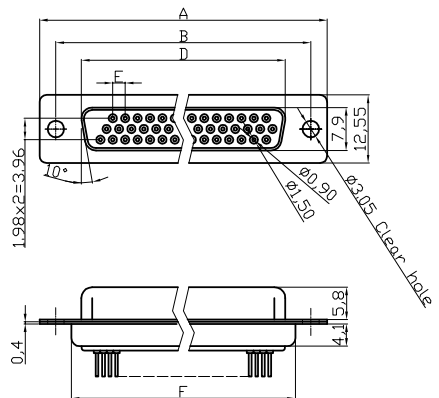
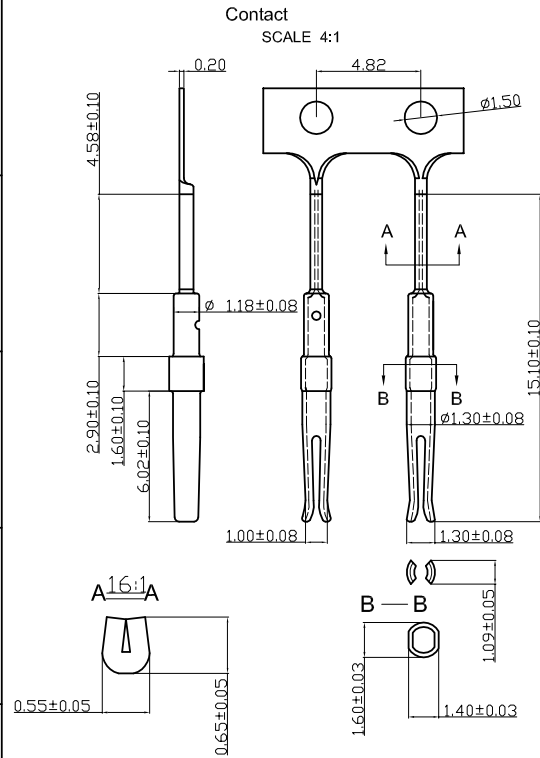
File No.: E198287

Scale	Free					Date	Name	Customer-No.
TOLERANCE						Drawn	15.08.2012	Lucas
X.	±0.38					Approved	27.10.2016	Amy
X.X	±0.25							
X.XX	±0.13	②	Correct the dimensioning of "H"	27.10.2016	Amy			
DIM	TOL	①	Update the operating temperature	10.10.2014	Winnie			
X.°	±3°	③	Drawn	15.08.2012	Lucas			
X.X°	±1.0°							
Angle	TOL	Id.	Modification	Date	Name			

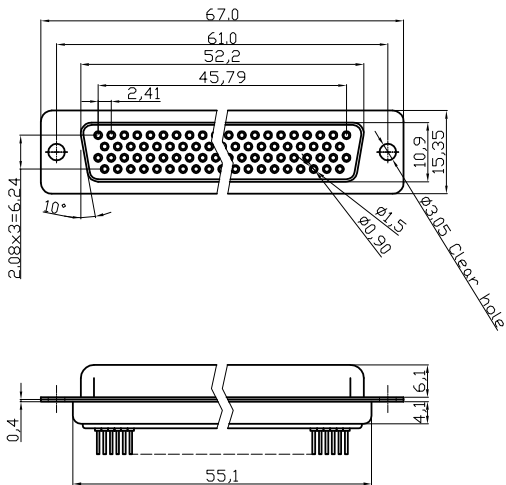


ASSMANN WSW-No.		A-HD x xx PP/Z	
Drawing-No.		ASS 4896 CO	rev02
Replace			Sheet 1/2

Female



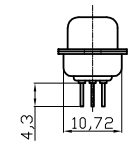
15,26,44,62 Positions



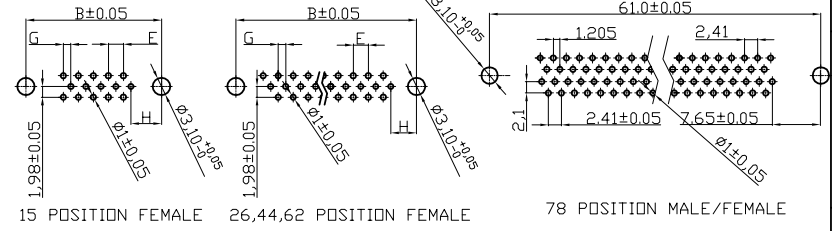
78 Positions

NOTES:

- MATERIAL**
 1. Insulator Material: Glass-filled thermoplastic PBT, UL94V-0
 2. Contact Material: Copper alloy
 3. Shell: Steel, 100u" Tin over 50u" Min Copper
- ELECTRICAL**
 1. Current Rating : 3AMP
 2. Voltage Rating : 250V AC/rms 60Hz
 3. Contact Resistance: 20mΩ Max at 100 mA DC
 4. Insulation Resistance: 1000MΩ at 500 VDC
 5. Withstand Voltage: 500V AC/rms 60Hz for 1 minute
 ① 6. Operating Temperature: -55°C+105°C



P.C.B LAYOUT PATTERN



Positions	G
15M/F	1.145
26M/F	1.145
44M/F	1.145
62M/F	1.205

Dimensions

Positions	A	B	D	E	F
15	30.81	24.99	16.33	2.29	19.20
26	39.20	33.30	24.70	2.29	27.70
44	53.05	47.04	38.40	2.29	41.10
62	69.40	63.50	54.80	2.41	57.30

RoHS compliant
Unit:mm



File No.: E198287

Scale	Free				Date	Name	Customer-No.
TOLERANCE					Drawn	15.08.2012	Lucas
X.	±0.38				Approved	27.10.2016	Amy
X.X	±0.25						
X.XX	±0.13	②	Correct the dimensioning of "H"	27.10.2016	Amy		
DIM	TOL	①	Update the operating temperature	10.10.2014	Winnie		
X.°	±3°	①	Drawn	15.08.2012	Lucas		
X.X°	±1.0°						
Angle	TOL	Id.	Modification	Date	Name		



Drawing-No.	
ASSMANN WSW-No.	A-HD x xx PP/Z
ASS 4896 CO	rev02
Replace	Sheet 2/2