



Chipsmall Limited consists of a professional team with an average of over 10 year of expertise in the distribution of electronic components. Based in Hongkong, we have already established firm and mutual-benefit business relationships with customers from,Europe,America and south Asia,supplying obsolete and hard-to-find components to meet their specific needs.

With the principle of “Quality Parts,Customers Priority,Honest Operation,and Considerate Service”,our business mainly focus on the distribution of electronic components. Line cards we deal with include Microchip,ALPS,ROHM,Xilinx,Pulse,ON,Everlight and Freescale. Main products comprise IC,Modules,Potentiometer,IC Socket,Relay,Connector.Our parts cover such applications as commercial,industrial, and automotives areas.

We are looking forward to setting up business relationship with you and hope to provide you with the best service and solution. Let us make a better world for our industry!



Contact us

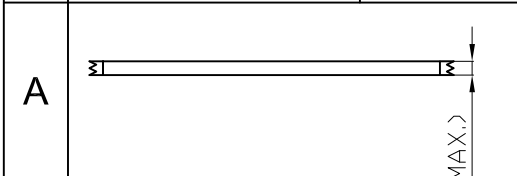
Tel: +86-755-8981 8866 Fax: +86-755-8427 6832

Email & Skype: info@chipsmall.com Web: www.chipsmall.com

Address: A1208, Overseas Decoration Building, #122 Zhenhua RD., Futian, Shenzhen, China

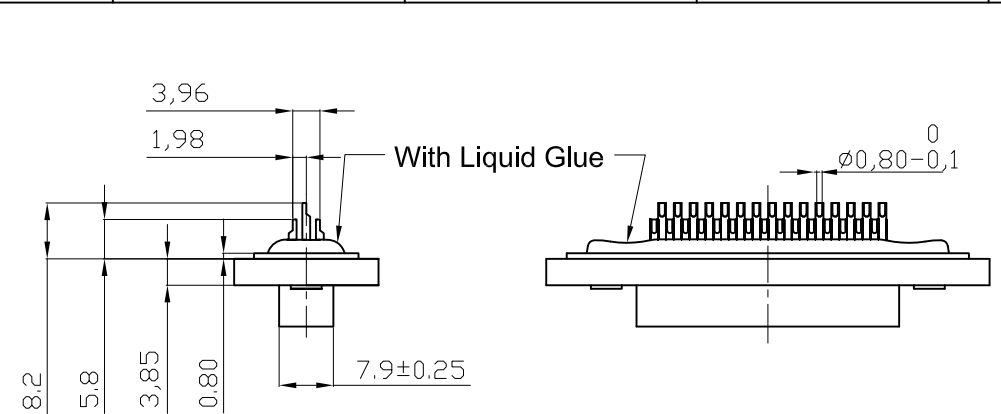


1 2 3 4 5 6 7



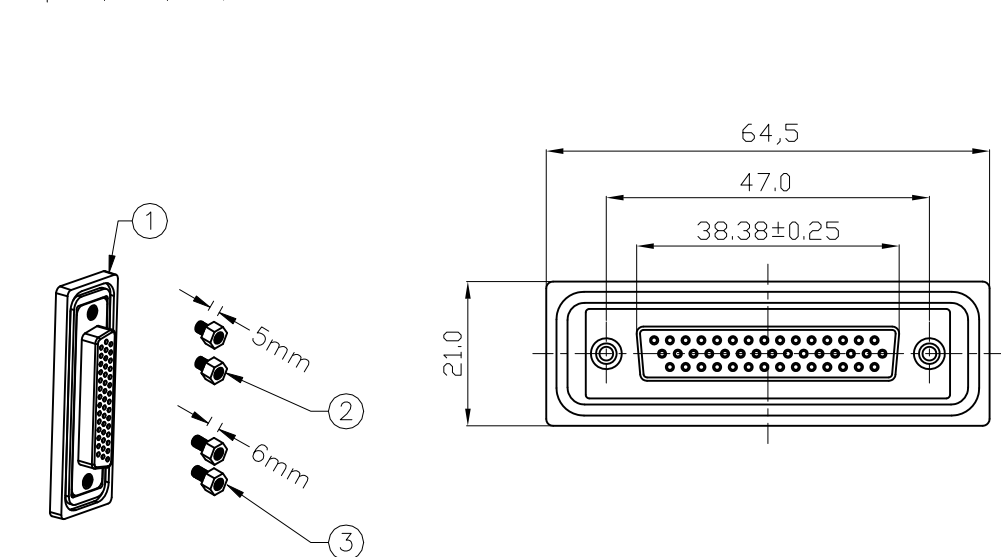
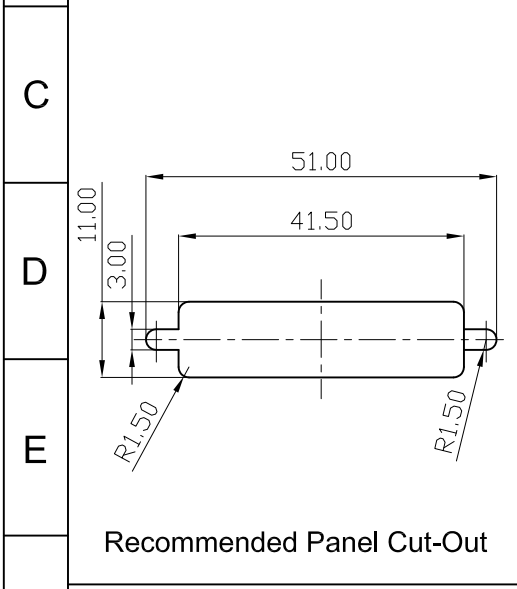
A

Panel Thickness
Screw L=5.0 For Panel Thickness Under 1.2mm
Screw L=6.0 For Panel Thickness Between 1.2-2.0mm



NOTES:

- MATERIAL**
1. Insulator Material: Black, NYLON+G/F
 2. Contact Material : Copper Alloy
 3. Plating : Gold Plating
 4. Waterproof Rate: IP67
 5. Do Mating Test After Glued
 6. Applicable Wire Range: 24AWG-28AWG
 7. LOGO



F

G

RoHS compliant

Scale	1:1						Date	Name	Customer-No.
TOLERANCE						Drawn	31.12.2008	JACK	
X.X	±0.25					Approved	31.12.2008	Hellwig	ASSMANN WSW-No.
X.XX	±0.10								A-HDF 44 LL-WP
X.XXX	±0.05								Drawing-No.
DIM	TOL							ASS 3285 CO rev01	
ANGLE	±1°				Replace			Sheet	
X.X°	±X°	①	Drawn	31.12.2008	JACK				
Angle	TOL	Id.	Modification	Date	Name				

H

1 2 3 4 5 6 7